

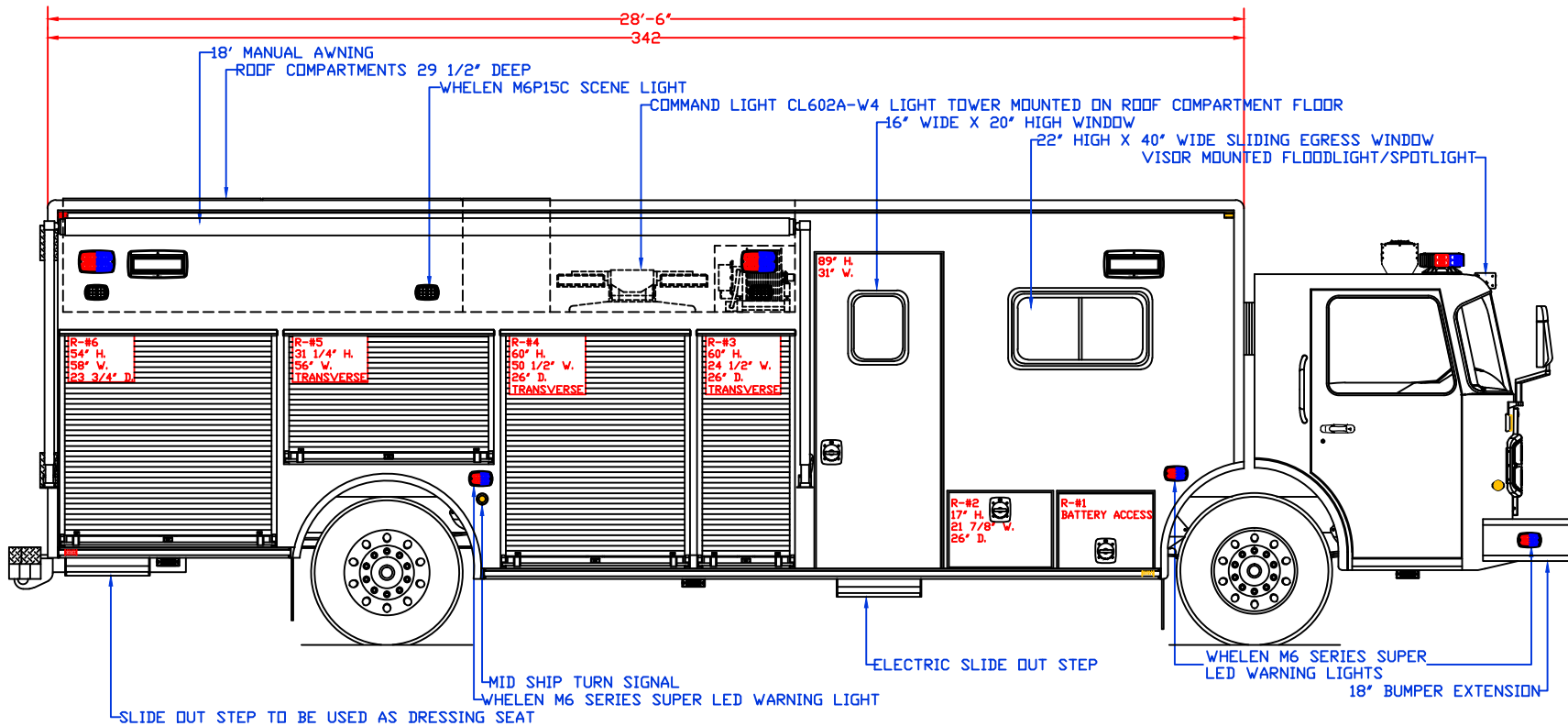
**Maintainer** *Custom Bodies, Inc.*  
 909 South East Street (800) 843-4288 Toll Free  
 Rock Rapids, IA 51246 (712) 472-4725

[mcbfire.com](http://mcbfire.com)

<b>CUSTOMER APPROVED BY:</b>		<b>PAINT CODE:</b>
VEHICLE TYPE: HAZMAT	CHASSIS: SPARTAN METRO STAR ER CAB FLAT ROOF	BODY MAT'L: ALUMINUM
VIEW: STREETSIDE	SCALE: NTS	BODY LENGTH: 342"
DRAWN BY: NRW	DATE: 2/12/2020	APPROVED BY:
DWG NO.: OKLAHOMAHAZMAT	REVISION:	BODY STYLE:

PROPOSAL FOR: CITY OF OKLAHOMA CITY, OKLAHOMA

NOTE: ALL DIMENSIONS ARE APPROXIMATE



**Maintainer** *Custom Bodies, Inc.*  
 909 South East Street (800) 843-4288 Toll Free  
 Rock Rapids, IA 51246 (712) 472-4725

[mcbfire.com](http://mcbfire.com)

CUSTOMER APPROVED BY:

PAINT CODE:

VEHICLE TYPE: HAZMAT

VIEW: CURBSIDE

SCALE: NTS

DRAWN BY: NRW

DATE: 2/12/2020

DWG NO.: OKLAHOMHAZMAT

CHASSIS: SPARTAN METRO STAR ER CAB FLAT ROOF

BODY MAT'L: ALUMINUM

BODY LENGTH: 342"

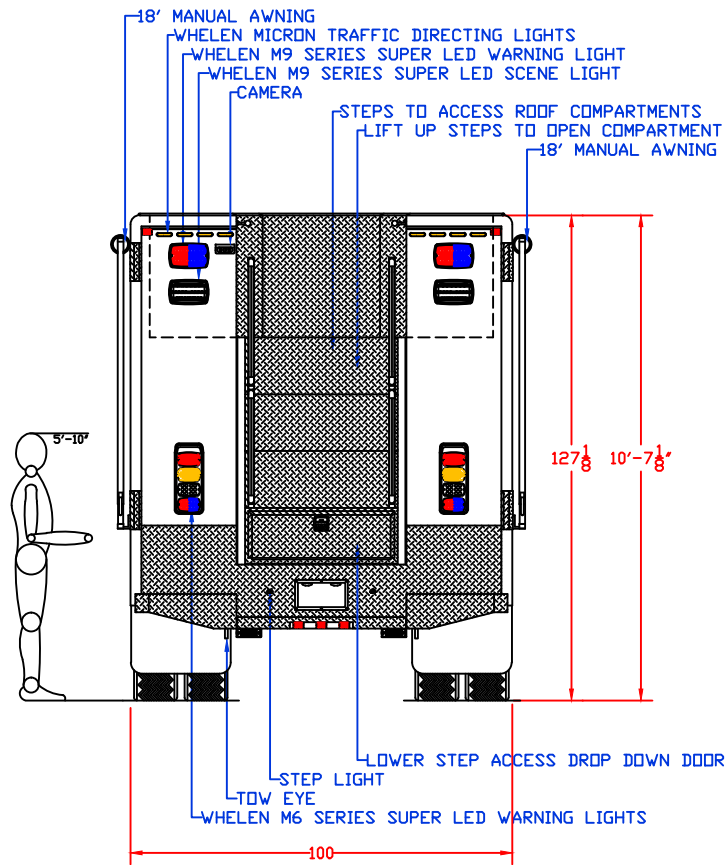
APPROVED BY:

BODY STYLE:

REVISION:

PROPOSAL FOR: CITY OF OKLAHOMA CITY, OKLAHOMA

NOTE: ALL DIMENSIONS ARE APPROXIMATE



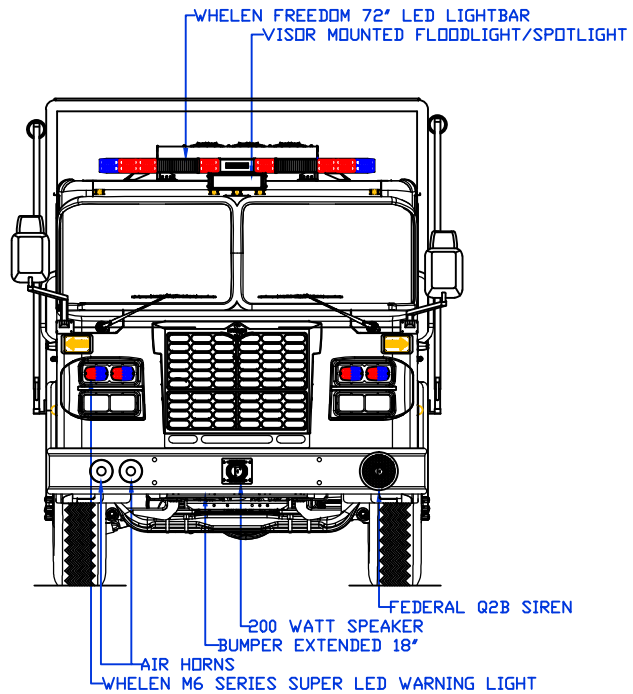
**Maintainer** *Custom Bodies, Inc.*  
 909 South East Street (800) 843-4288 Toll Free  
 Rock Rapids, IA 51246 (712) 472-4725

[mcbfire.com](http://mcbfire.com)

<b>CUSTOMER APPROVED BY:</b>		<b>PAINT CODE:</b>
VEHICLE TYPE: HAZMAT	CHASSIS: SPARTAN METRO STAR ER CAB FLAT ROOF	
VIEW: CURBSIDE	BODY MAT'L: ALUMINUM	
SCALE: NTS	BODY LENGTH: 342"	
DRAWN BY: NRW	APPROVED BY:	
DATE: 2/12/2020	BODY STYLE:	
DWG NO.: OKLAHOMAHAZMAT	REVISION:	

PROPOSAL FOR: CITY OF OKLAHOMA CITY, OKLAHOMA

NOTE: ALL DIMENSIONS ARE APPROXIMATE



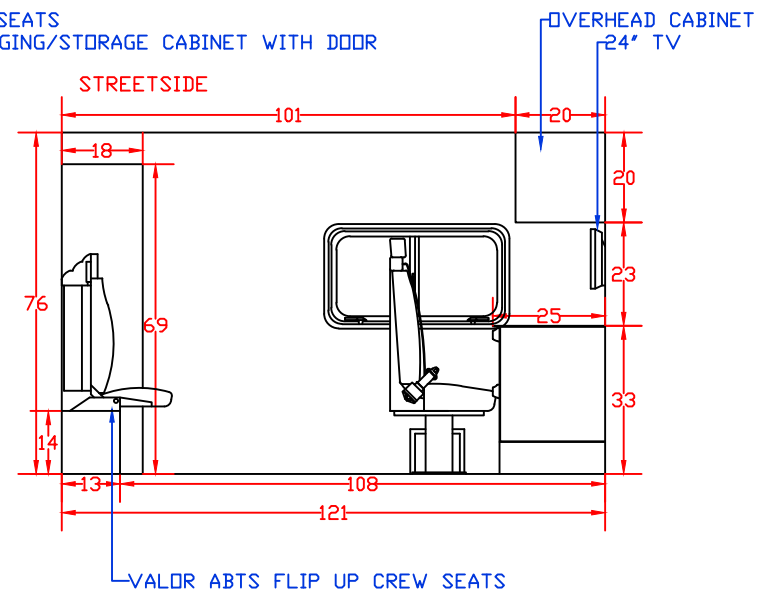
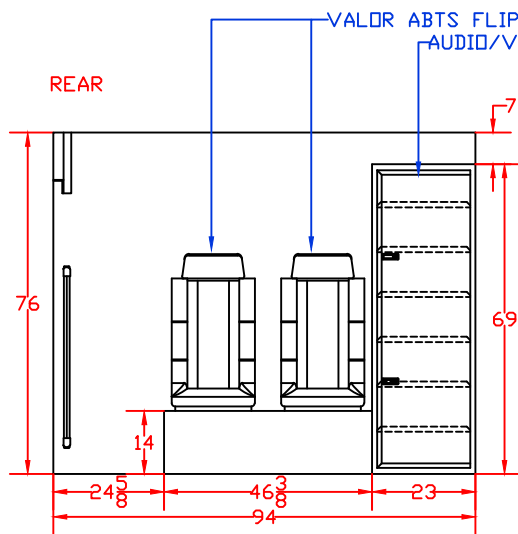
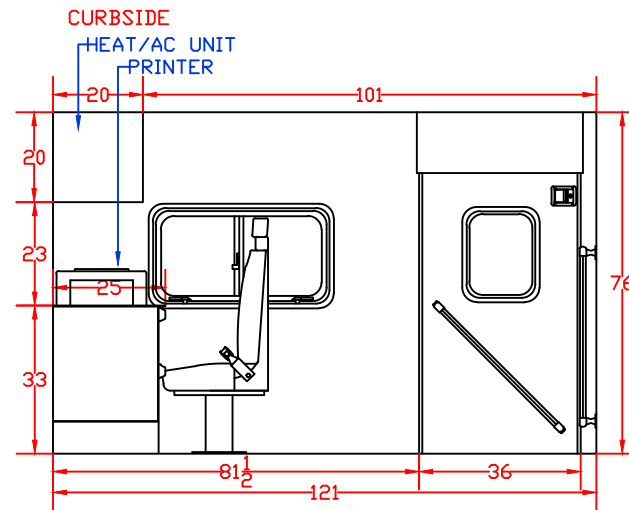
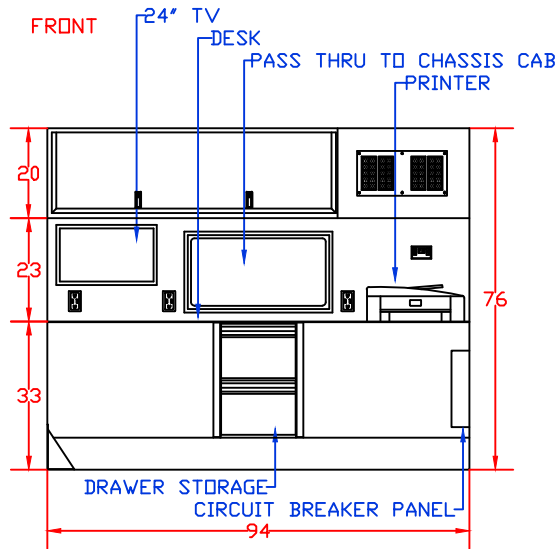
**Maintainer** *Custom Bodies, Inc.*  
 909 South East Street (800) 843-4288 Toll Free  
 Rock Rapids, IA 51246 (712) 472-4725

[mcbfire.com](http://mcbfire.com)

PROPOSAL FOR: CITY OF OKLAHOMA CITY, OKLAHOMA

<b>CUSTOMER APPROVED BY:</b>		<b>PAINT CODE:</b>
VEHICLE TYPE:HAZMAT	CHASSIS: SPARTAN METRO STAR ER CAB FLAT ROOF	BODY MAT'L: ALUMINUM
VIEW: CREW AREA	BODY LENGTH:342"	APPROVED BY:
SCALE: NTS	BODY STYLE:	REVISION:
DRAWN BY: NRW	DATE: 2/12/2020	
DWG NO.: OKLAHOMAHAZMAT		

NOTE: ALL DIMENSIONS ARE APPROXIMATE



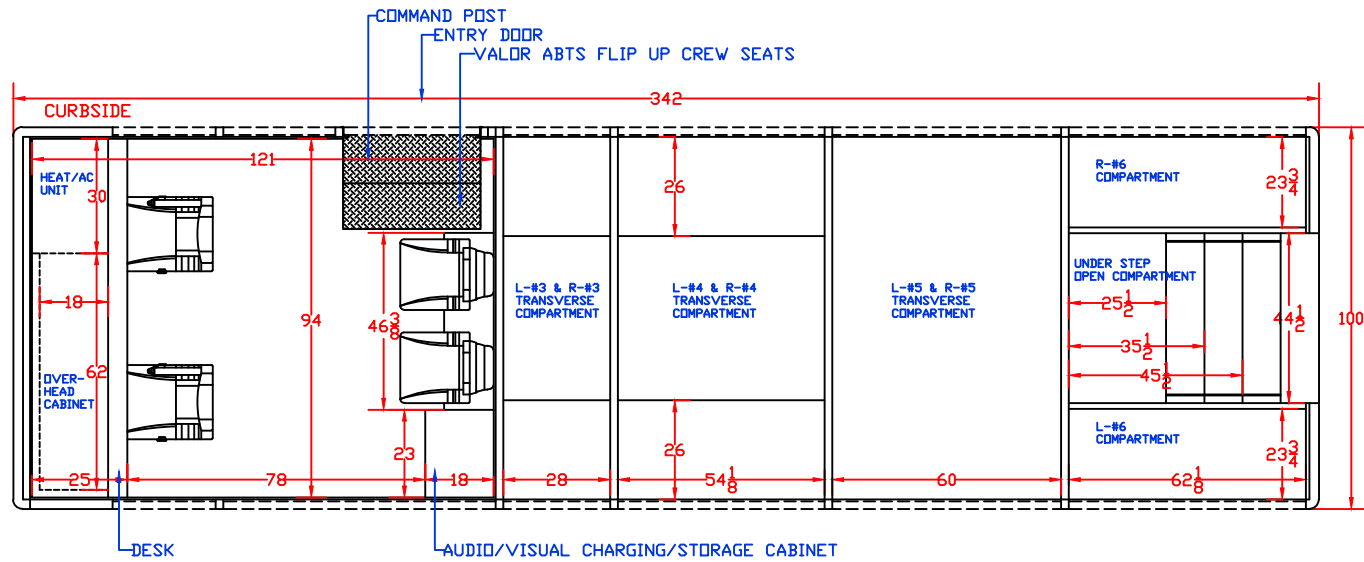
**Maintainer** *Custom Bodies, Inc.*  
 909 South East Street (800) 843-4288 Toll Free  
 Rock Rapids, IA 51246 (712) 472-4725

[mcbfire.com](http://mcbfire.com)

<b>CUSTOMER APPROVED BY:</b>		<b>PAINT CODE:</b>
VEHICLE TYPE: HAZMAT	CHASSIS: SPARTAN METRO STAR ER CAB FLAT ROOF	BODY MAT'L: ALUMINUM
VIEW: CREW AREA	SCALE: NTS	BODY LENGTH: 342"
DRAWN BY: NRW	DATE: 2/12/2020	APPROVED BY:
DWG NO.: OKLAHOMAHAZMAT	REVISION:	BODY STYLE:

PROPOSAL FOR: CITY OF OKLAHOMA CITY, OKLAHOMA

NOTE: ALL DIMENSIONS ARE APPROXIMATE

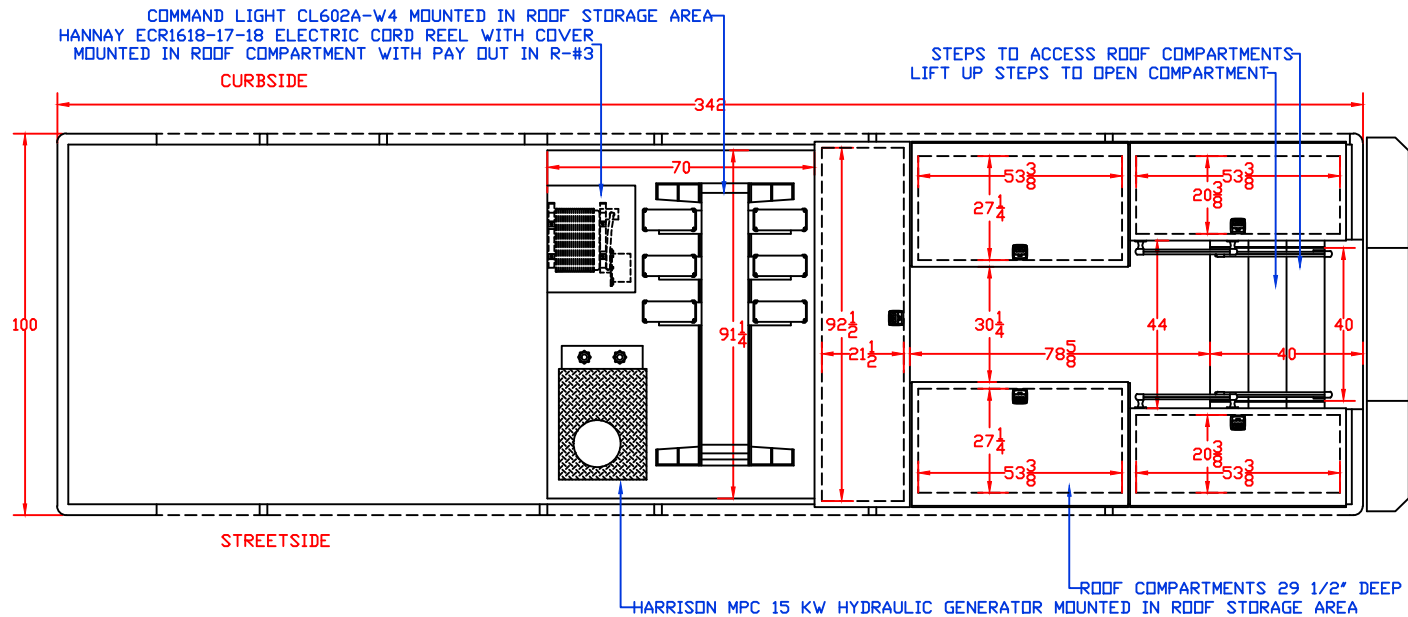


**Maintainer Custom Bodies, Inc.**  
 909 South East Street  
 Rock Rapids, IA 51246  
 (800) 843-4288 Toll Free  
 (712) 472-4725  
 mcbfire.com

PROPOSAL FOR: CITY OF OKLAHOMA CITY, OKLAHOMA

CUSTOMER APPROVED BY:		PAINT CODE:	
VEHICLE TYPE: HAZMAT	VIEW: TOP	CHASSIS: SPARTAN METRO STAR ER CAB FLAT ROOF	BODY MAT'L: ALUMINUM
SCALE: NTS	DRAWN BY: NRW	BODY LENGTH: 342"	APPROVED BY:
DATE: 2/12/2020	DWG NO.: OKLAHOMAHAZMAT	BODY STYLE:	REVISION:

NOTE: ALL DIMENSIONS ARE APPROXIMATE



**Maintainer** *Custom Bodies, Inc.*  
 909 South East Street (800) 843-4288 Toll Free  
 Rock Rapids, IA 51246 (712) 472-4725

[mcbfire.com](http://mcbfire.com)

CUSTOMER APPROVED BY:

PAINT CODE:

VEHICLE TYPE: HAZMAT

VIEW: CREW AREA

SCALE: NTS

DRAWN BY: NRW

DATE: 2/12/2020

DWG NO.: OKLAHOMAHAZMAT

CHASSIS: SPARTAN METRO STAR ER CAB FLAT ROOF

BODY MAT'L: ALUMINUM

BODY LENGTH: 342"

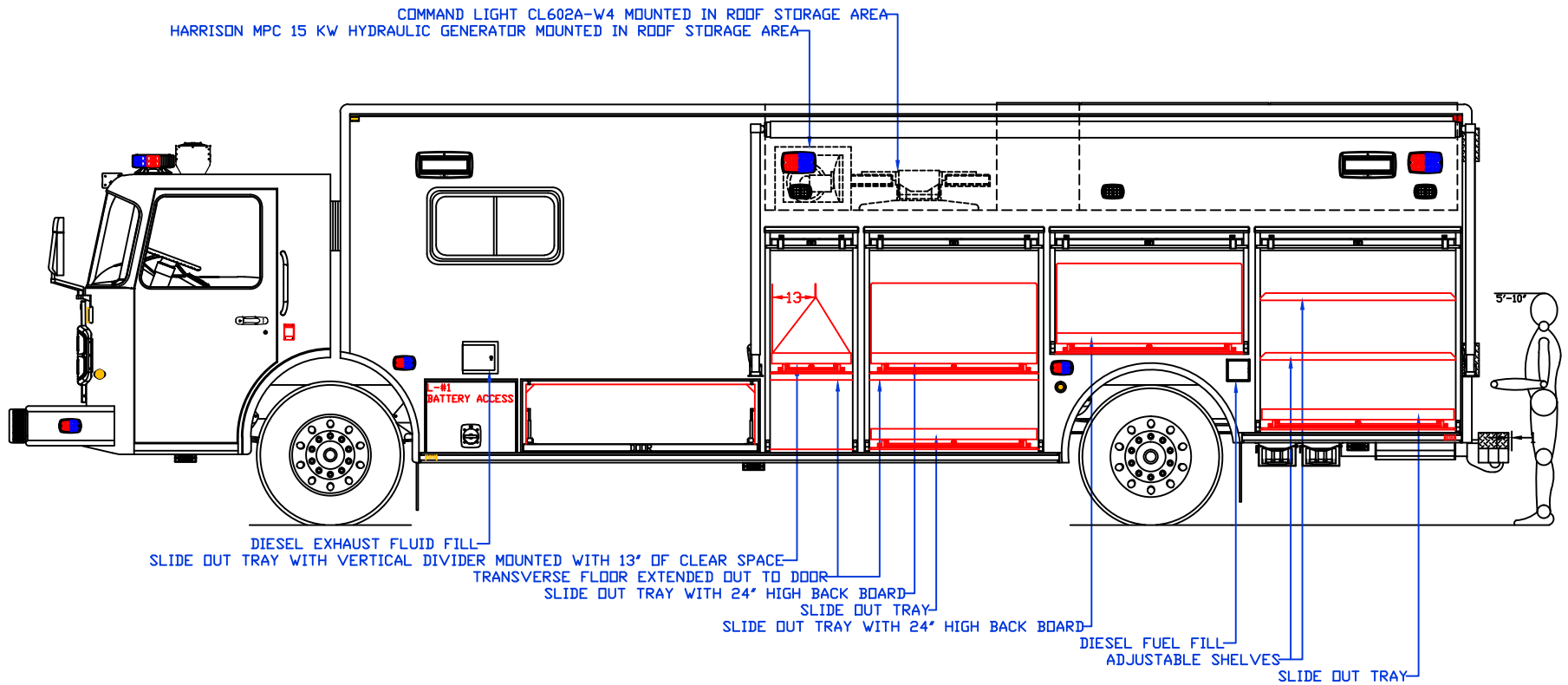
APPROVED BY:

BODY STYLE:

REVISION:

PROPOSAL FOR: CITY OF OKLAHOMA CITY, OKLAHOMA

NOTE: ALL DIMENSIONS ARE APPROXIMATE



**Maintainer** *Custom Bodies, Inc.*  
 909 South East Street (800) 843-4288 Toll Free  
 Rock Rapids, IA 51246 (712) 472-4725

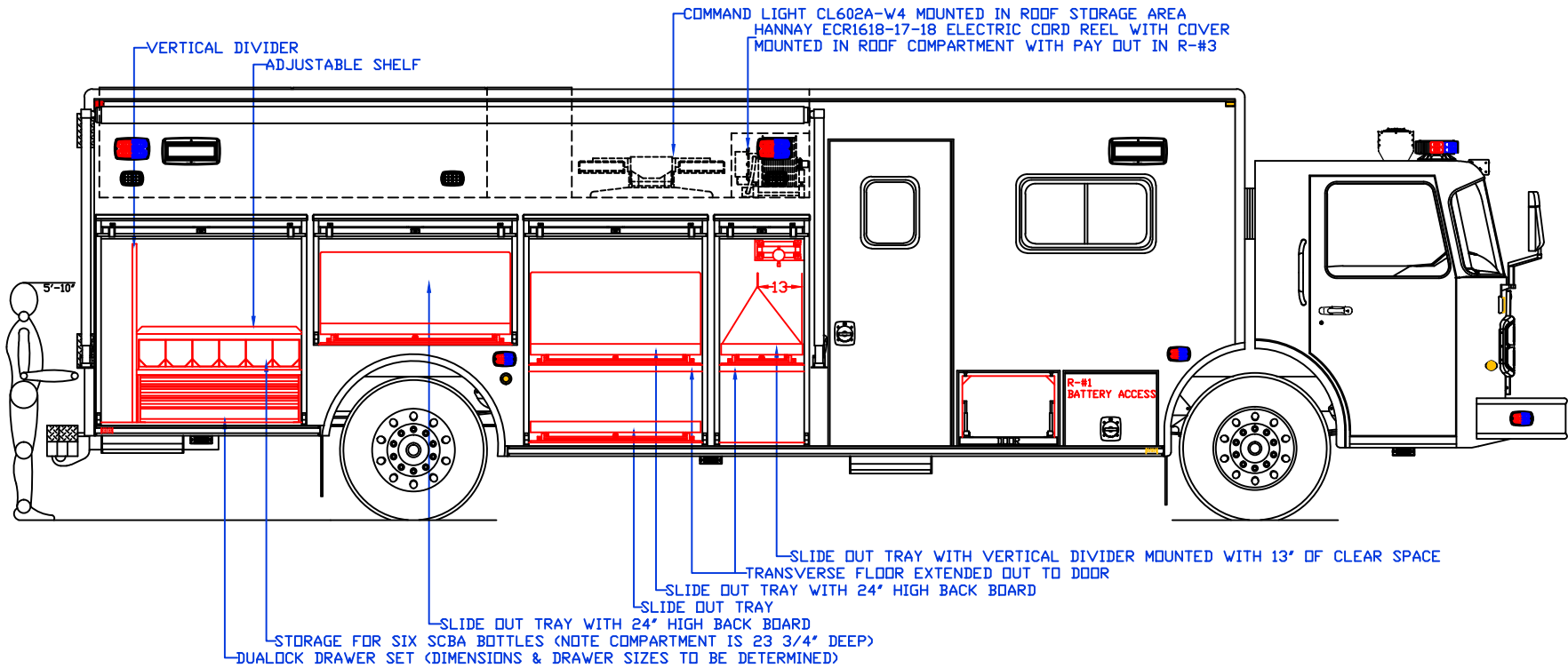
[mcbfire.com](http://mcbfire.com)

<b>CUSTOMER APPROVED BY:</b>		<b>PAINT CODE:</b>
VEHICLE TYPE: HAZMAT	CHASSIS: SPARTAN METRO STAR ER CAB FLAT ROOF	BODY MAT'L: ALUMINUM
VIEW: STREETSIDE	BODY LENGTH: 342"	APPROVED BY:
SCALE: NTS	BODY STYLE:	REVISION:
DRAWN BY: NRW	DATE: 2/12/2020	
DWG NO.: OKLAHOMHAZMAT		

PROPOSAL FOR: CITY OF OKLAHOMA CITY, OKLAHOMA

NOTE: ALL DIMENSIONS ARE APPROXIMATE





**Maintainer Custom Bodies, Inc.**  
 909 South East Street  
 Rock Rapids, IA 51246  
 mcbfire.com  
 (800) 843-4288 Toll Free  
 (712) 472-4725

PROPOSAL FOR: CITY OF OKLAHOMA CITY, OKLAHOMA

CUSTOMER APPROVED BY:		PAINT CODE:	
VEHICLE TYPE:HAZMAT	VIEW: CURBSIDE	CHASSIS: SPARTAN METRO STAR ER CAB FLAT ROOF	BODY MAT'L: ALUMINUM
SCALE: NTS	DRAWN BY: NRW	BODY LENGTH:342"	APPROVED BY:
DATE: 2/12/2020	DWG NO.: OKLAHOMHAZMAT	BODY STYLE:	REVISION:

NOTE: ALL DIMENSIONS ARE APPROXIMATE