

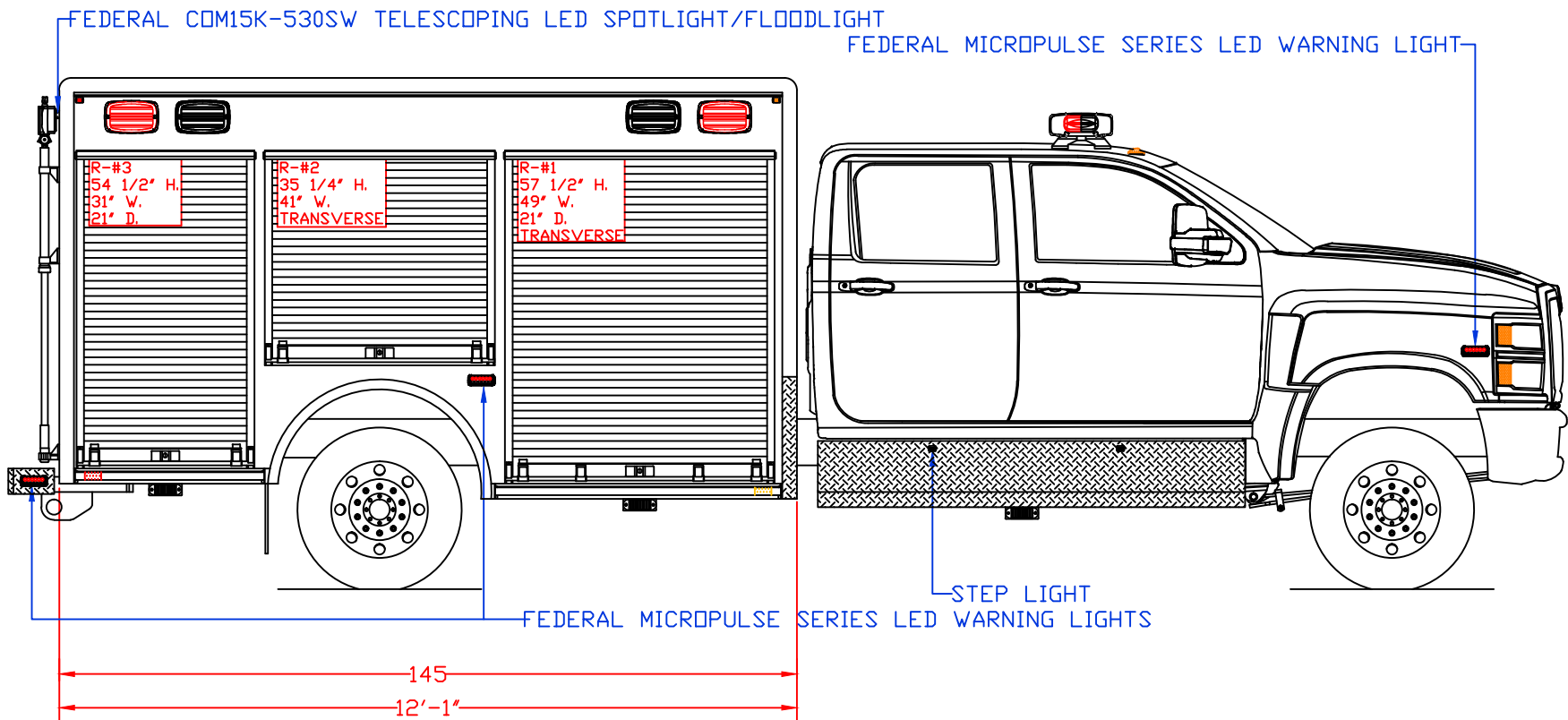
**Maintainer** Custom Bodies, Inc.  
 909 South East Street  
 Rock Rapids, IA 51246

mcbfire.com  
 (800) 843-4288 Toll Free  
 (712) 472-4725

CUSTOMER APPROVED BY:		PAINT CODE:	
VEHICLE TYPE: RESCUE	CHASSIS: CHEVROLET 5500 CREW CAB 4X4	BODY MAT'L: ALUMINUM	BODY LENGTH: 145"
VIEW: STREETSIDE	SCALE: NTS	DRAWN BY: NRW	APPROVED BY:
DATE: 9/23/2019	DWG NO.: 197352STOCK12FTRESCUE	REVISION:	

197352 STOCK 12' RESCUE

NOTE: ALL DIMENSIONS ARE APPROXIMATE

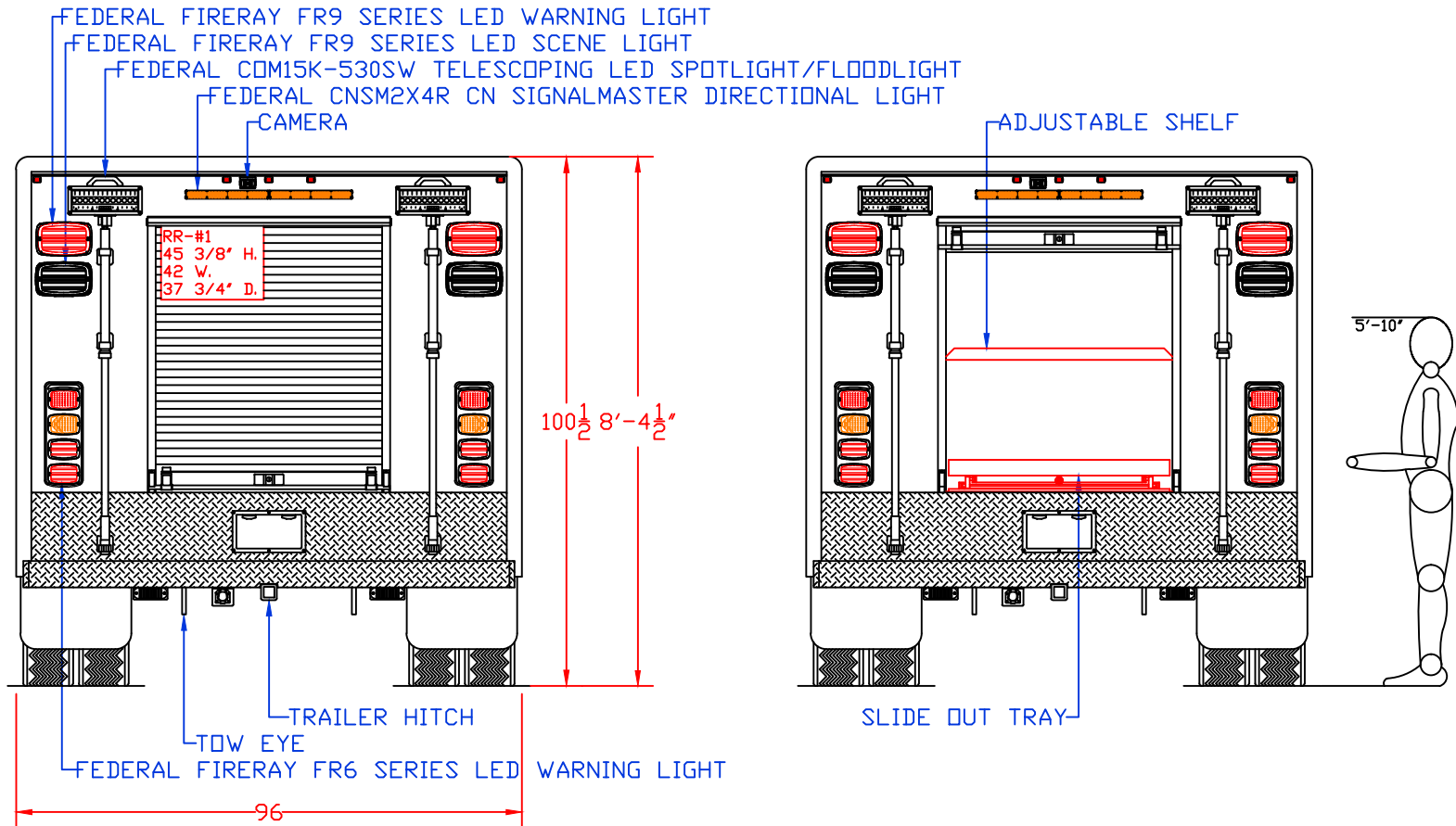


**Maintainer** Custom Bodies, Inc. [mcbfire.com](http://mcbfire.com)  
 909 South East Street (800) 843-4288 Toll Free  
 Rock Rapids, IA 51246 (712) 472-4725

CUSTOMER APPROVED BY:		PAINT CODE:	
VEHICLE TYPE: RESCUE	CHASSIS: CHEVROLET 5500 CREW CAB 4X4	BODY MAT'L: ALUMINUM	
VIEW: CURBSIDE	BODY LENGTH: 145"	APPROVED BY:	
SCALE: NTS	BODY STYLE:	REVISION:	
DRAWN BY: NRW	DATE: 9/23/2019		
DWG NO.: 197352STOCK12FTRESCUE			

197352 STOCK 12' RESCUE

NOTE: ALL DIMENSIONS ARE APPROXIMATE



**Maintainer** Custom Bodies, Inc.  
 909 South East Street  
 Rock Rapids, IA 51246

mcbfire.com

(800) 843-4288 Toll Free  
 (712) 472-4725

CUSTOMER APPROVED BY:

PAINT CODE:

VEHICLE TYPE: RESCUE

CHASSIS: CHEVROLET 5500 CREW CAB 4X4

VIEW: REAR & REAR COMPARTMENT LAYOUT

BODY MAT'L: ALUMINUM

SCALE: NTS

BODY LENGTH: 145"

DRAWN BY: NRW

APPROVED BY:

DATE: 9/23/2019

BODY STYLE:

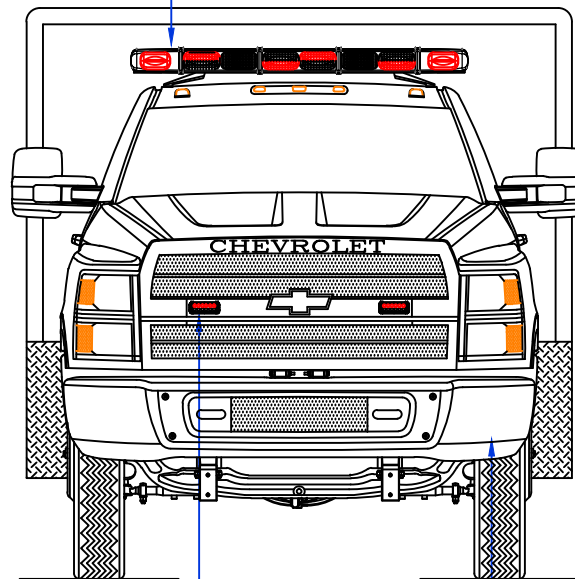
DWG NO.: 197352STOCK12FTRESCUE

REVISION:

197352 STOCK 12' RESCUE

NOTE: ALL DIMENSIONS ARE APPROXIMATE

FEDERAL NAVIGATOR NVG605 LED LIGHTBAR



FEDERAL MICROPULSE SERIES LED WARNING LIGHT  
100 WATT SPEAKER MOUNTED BEHIND BUMPER

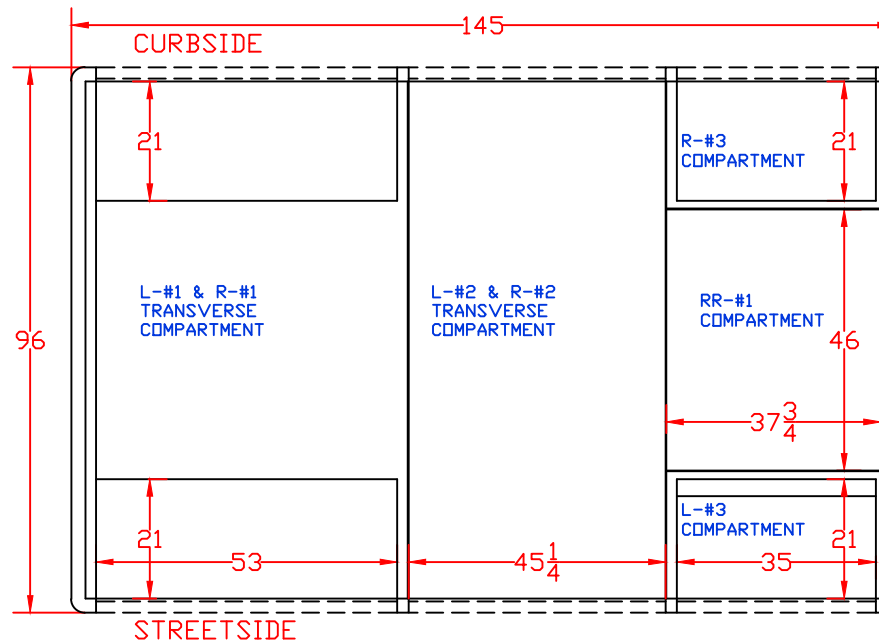


**Maintainer** Custom Bodies, Inc.  
909 South East Street  
Rock Rapids, IA 51246  
mcbfire.com  
(800) 843-4288 Toll Free  
(712) 472-4725

CUSTOMER APPROVED BY:		PAINT CODE:	
VEHICLE TYPE: RESCUE	CHASSIS: CHEVROLET 5500 CREW CAB 4X4		
VIEW: FRONT	BODY MAT'L: ALUMINUM		
SCALE: NTS	BODY LENGTH: 145'		
DRAWN BY: NRW	APPROVED BY:		
DATE: 9/23/2019	BODY STYLE:		
DWG NO.: 197352STOCK12FTRESCUE	REVISION:		

197352 STOCK 12' RESCUE

NOTE: ALL DIMENSIONS ARE APPROXIMATE



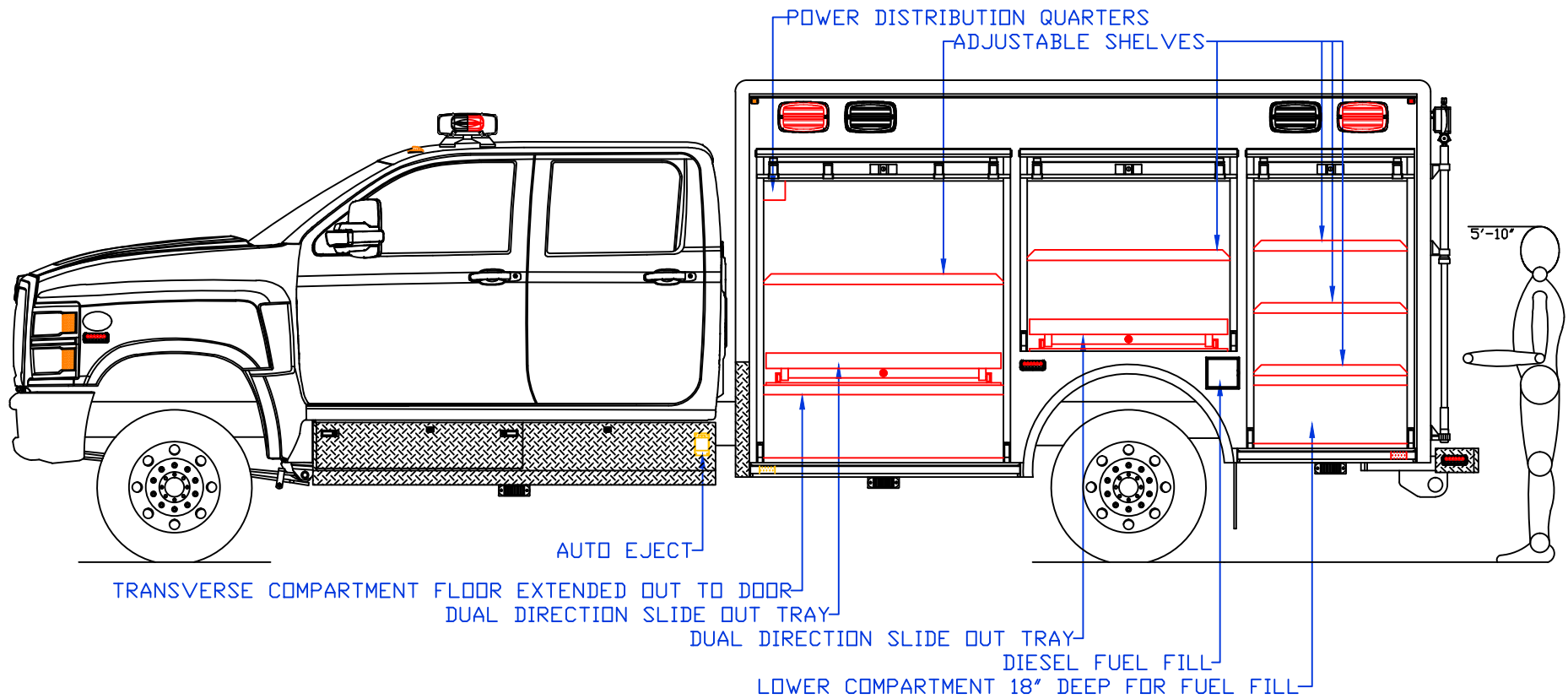
**Maintainer** mcbfire.com  
**Custom Bodies, Inc.**  
 909 South East Street (800) 843-4288 Toll Free  
 Rock Rapids, IA 51246 (712) 472-4725

CUSTOMER APPROVED BY: \_\_\_\_\_ PAINT CODE: \_\_\_\_\_

VEHICLE TYPE: RESCUE	CHASSIS: CHEVROLET 5500 CREW CAB 4X4
VIEW: TOP	BODY MAT'L: ALUMINUM
SCALE: NTS	BODY LENGTH: 145"
DRAWN BY: NRW	APPROVED BY: _____
DATE: 9/23/2019	BODY STYLE: _____
DWG NO.: 197352STOCK12FTRESCUE	REVISION: _____

197352 STOCK 12' RESCUE

NOTE: ALL DIMENSIONS ARE APPROXIMATE



**Maintainer Custom Bodies, Inc.**  
 909 South East Street  
 Rock Rapids, IA 51246

[mcbfire.com](http://mcbfire.com)

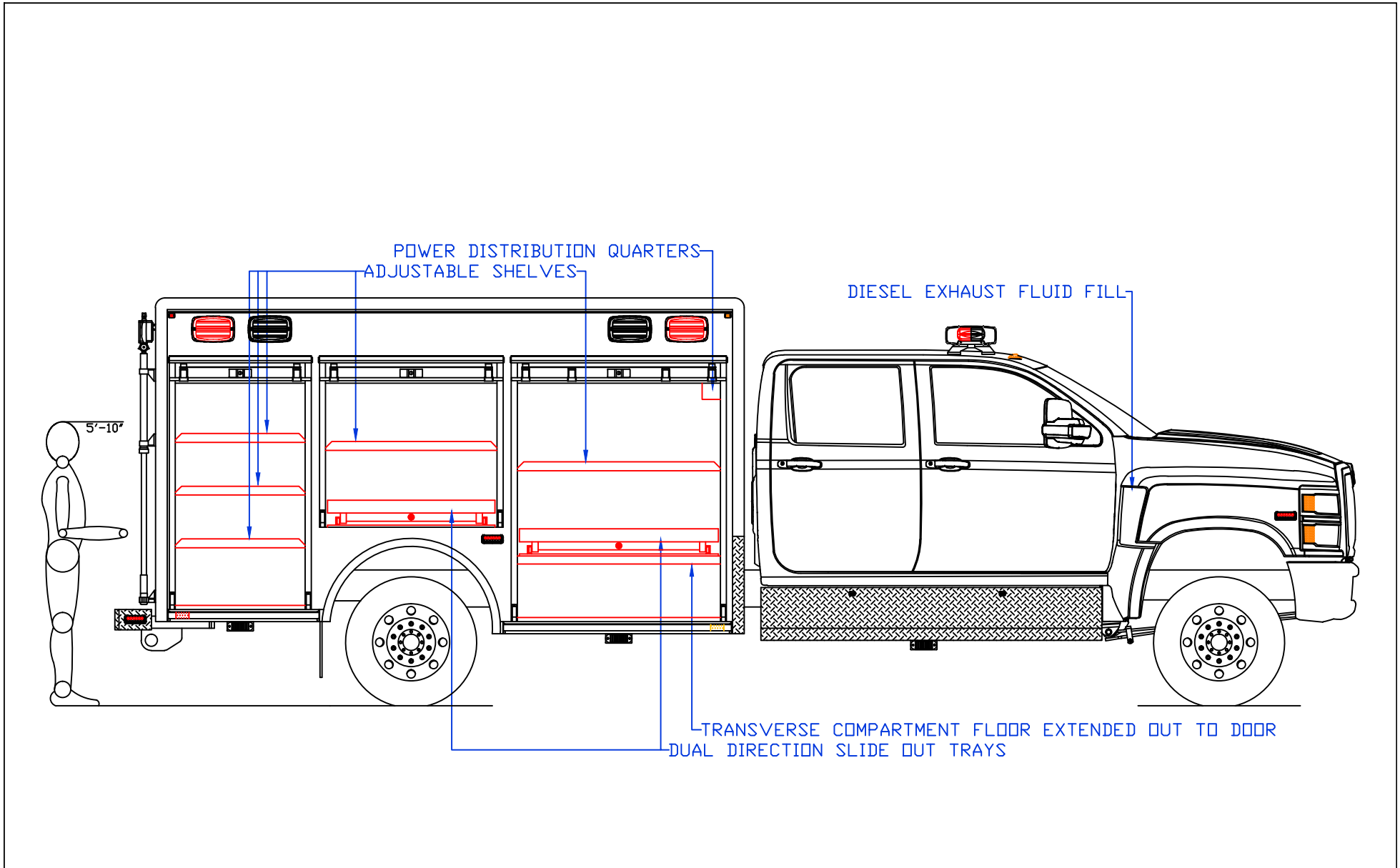
(800) 843-4288 Toll Free  
 (712) 472-4725

CUSTOMER APPROVED BY: \_\_\_\_\_ PAINT CODE: \_\_\_\_\_

VEHICLE TYPE: RESCUE	CHASSIS: CHEVROLET 5500 CREW CAB 4X4
VIEW: STREETSIDE COMPARTMENT LAYOUT	BODY MAT'L: ALUMINUM
SCALE: NTS	BODY LENGTH: 145"
DRAWN BY: NRW	APPROVED BY: _____
DATE: 9/23/2019	BODY STYLE: _____
DWG NO.: 197352STOCK12FTRESCUE	REVISION: _____

197352 STOCK 12' RESCUE

NOTE: ALL DIMENSIONS ARE APPROXIMATE



**Maintainer** Custom Bodies, Inc.  
 909 South East Street  
 Rock Rapids, IA 51246

mcbfire.com

(800) 843-4288 Toll Free  
 (712) 472-4725

CUSTOMER APPROVED BY:

PAINT CODE:

VEHICLE TYPE: RESCUE	CHASSIS: CHEVROLET 5500 CREW CAB 4X4
VIEW: CURBSIDE COMPARTMENT LAYOUT	BODY MAT'L: ALUMINUM
SCALE: NTS	BODY LENGTH: 145'
DRAWN BY: NRW	APPROVED BY:
DATE: 9/23/2019	BODY STYLE:
DWG NO.: 197352STOCK12FTRESCUE	REVISION:

197352 STOCK 12' RESCUE

NOTE: ALL DIMENSIONS ARE APPROXIMATE