

Maintainer Custom Bodies, Inc.
 909 South East Street
 Rock Rapids, IA 51246

mcbfire.com

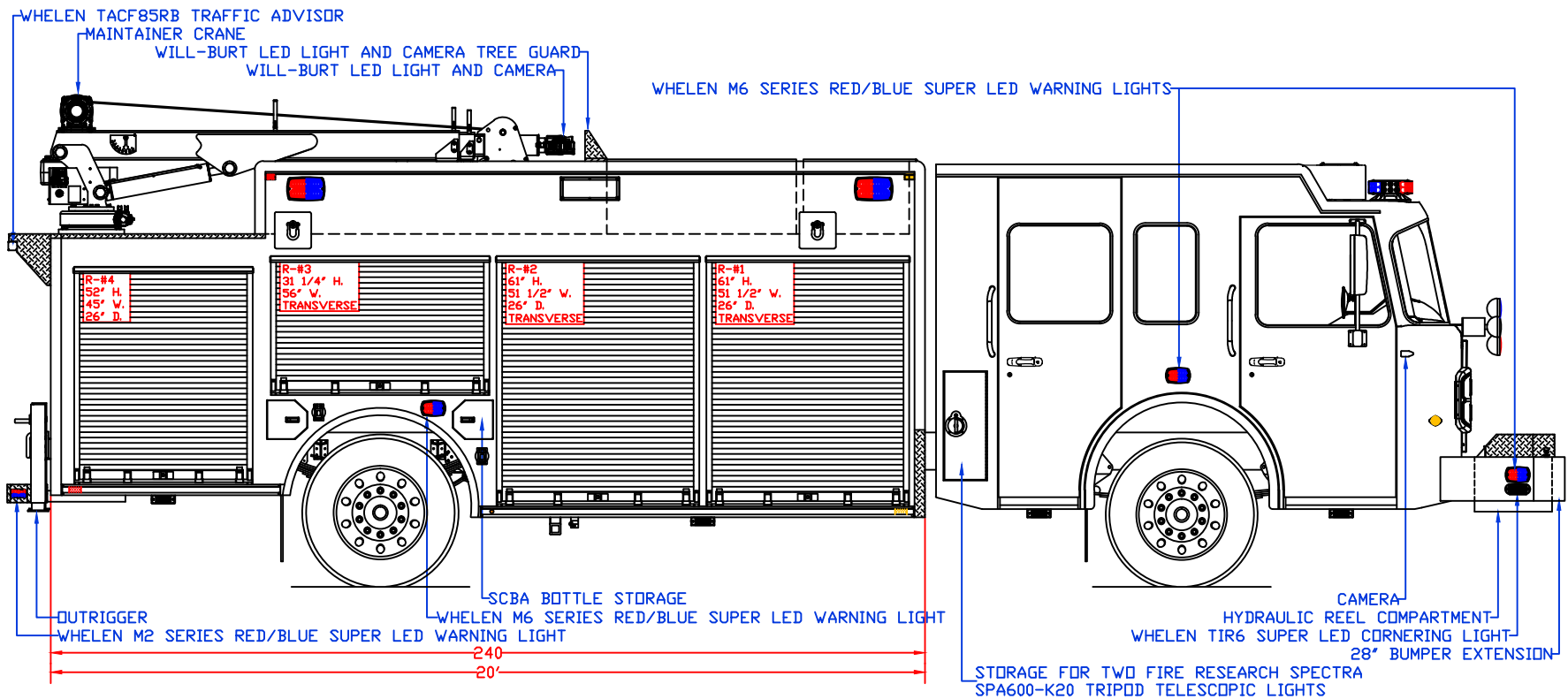
(800) 843-4288 Toll Free
 (712) 472-4725

CUSTOMER APPROVED BY: _____ PAINT CODE: _____

VEHICLE TYPE: HEAVY RESCUE	CHASSIS: SPARTAN METRO STAR LFD 10" RAISED CAB
VIEW: STREETSIDE	BODY MAT'L: ALUMINUM
SCALE: NTS	BODY LENGTH: 240"
DRAWN BY: NRW	APPROVED BY: _____
DATE: 4/14/2020	BODY STYLE: _____
DWG NO.: BUTLERRESCUE	REVISION: _____

BUTLER COUNTY RESCUE SQUAD

NOTE: ALL DIMENSIONS ARE APPROXIMATE



Maintainer Custom Bodies, Inc.
 909 South East Street
 Rock Rapids, IA 51246

mcbfire.com

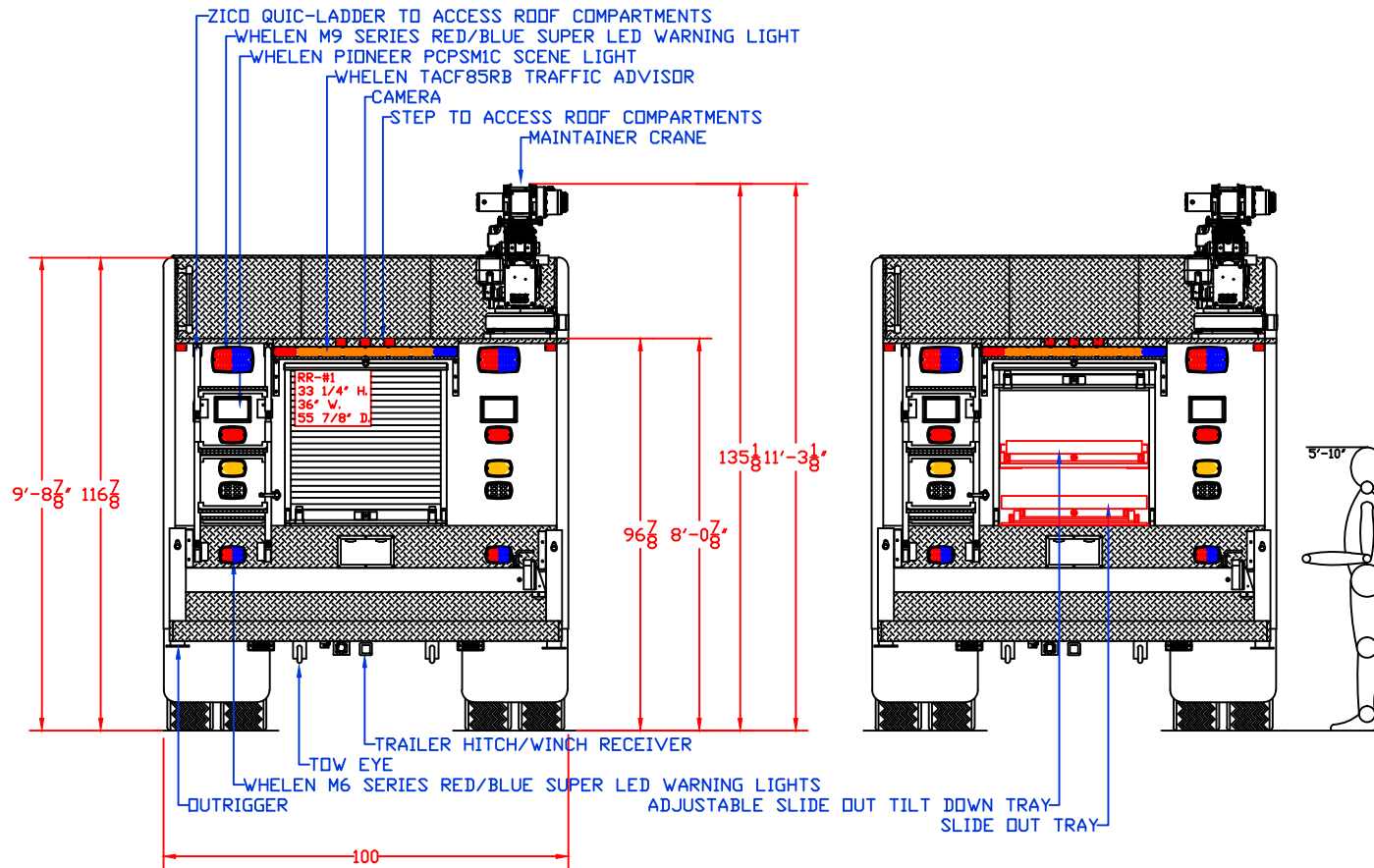
(800) 843-4288 Toll Free
 (712) 472-4725

CUSTOMER APPROVED BY: _____ PAINT CODE: _____

VEHICLE TYPE: HEAVY RESCUE	CHASSIS: SPARTAN METRO STAR LFD 10" RAISED CAB
VIEW: CURBSIDE	BODY MAT'L: ALUMINUM
SCALE: NTS	BODY LENGTH: 240"
DRAWN BY: NRW	APPROVED BY: _____
DATE: 4/14/2020	BODY STYLE: _____
DWG NO.: BUTLERRESCUE	REVISION: _____

BUTLER COUNTY RESCUE SQUAD

NOTE: ALL DIMENSIONS ARE APPROXIMATE



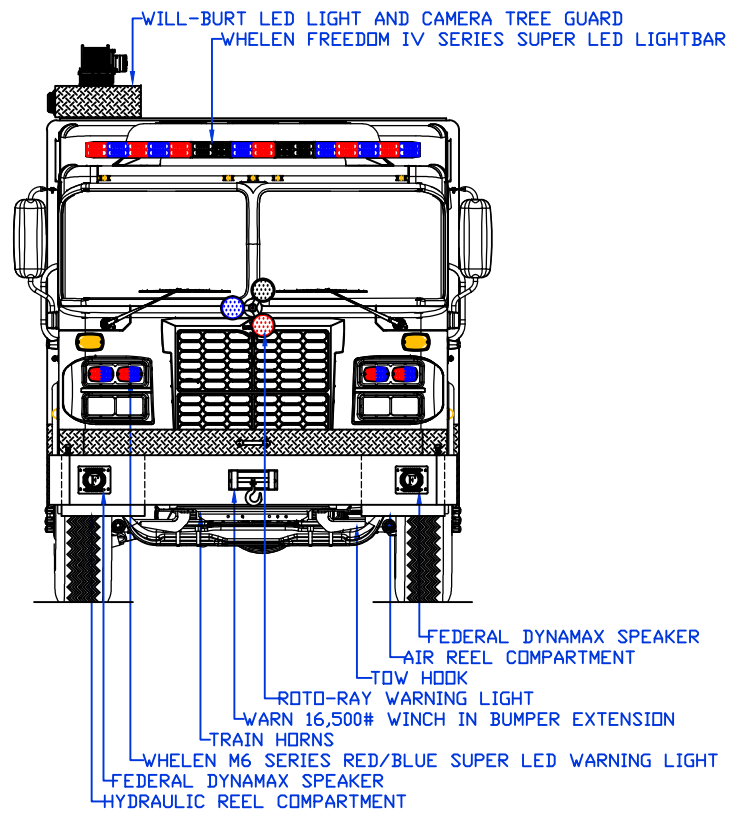
Maintainer *Custom Bodies, Inc.*
 909 South East Street
 Rock Rapids, IA 51246
 mcbfire.com
 (800) 843-4288 Toll Free
 (712) 472-4725

CUSTOMER APPROVED BY: _____ PAINT CODE: _____

VEHICLE TYPE: HEAVY RESCUE	CHASSIS: SPARTAN METRO STAR LFD 10" RAISED CAB
VIEW: REAR & REAR COMPARTMENT LAYOUT	BODY MAT'L: ALUMINUM
SCALE: NTS	BODY LENGTH: 240"
DRAWN BY: NRW	APPROVED BY: _____
DATE: 4/14/2020	BODY STYLE: _____
DWG NO.: BUTLERRESCUE	REVISION: _____

BUTLER COUNTY RESCUE SQUAD

NOTE: ALL DIMENSIONS ARE APPROXIMATE



Maintainer *Custom Bodies, Inc.*
 909 South East Street
 Rock Rapids, IA 51246

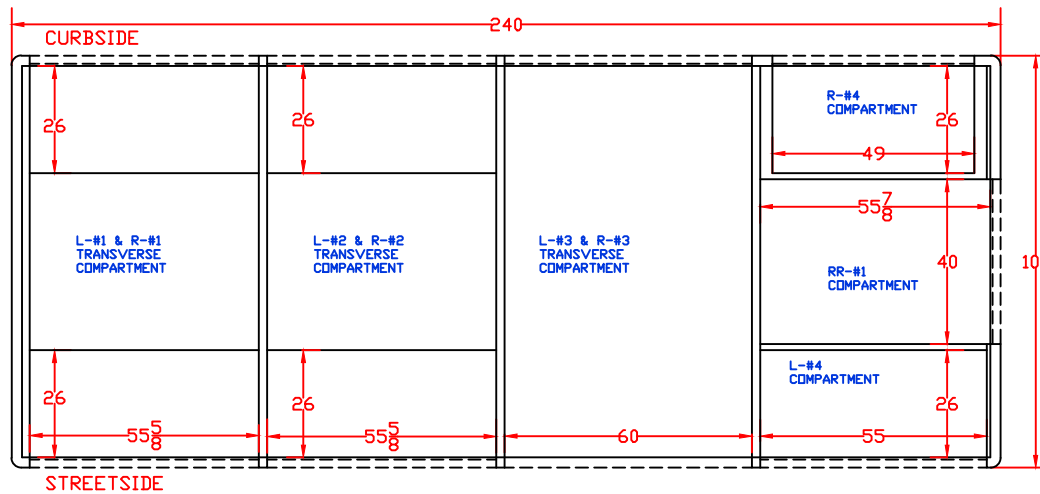
mcbfire.com

(800) 843-4288 Toll Free
 (712) 472-4725

CUSTOMER APPROVED BY:		PAINT CODE:
VEHICLE TYPE: HEAVY RESCUE	CHASSIS: SPARTAN METRO STAR LFD 10" RAISED CAB	BODY MAT'L: ALUMINUM
VIEW: FRONT	SCALE: NTS	BODY LENGTH: 240"
DRAWN BY: NRW	DATE: 4/14/2020	APPROVED BY:
DWG NO.: BUTLERRESCUE		BODY STYLE:
		REVISION:

BUTLER COUNTY RESCUE SQUAD

NOTE: ALL DIMENSIONS ARE APPROXIMATE

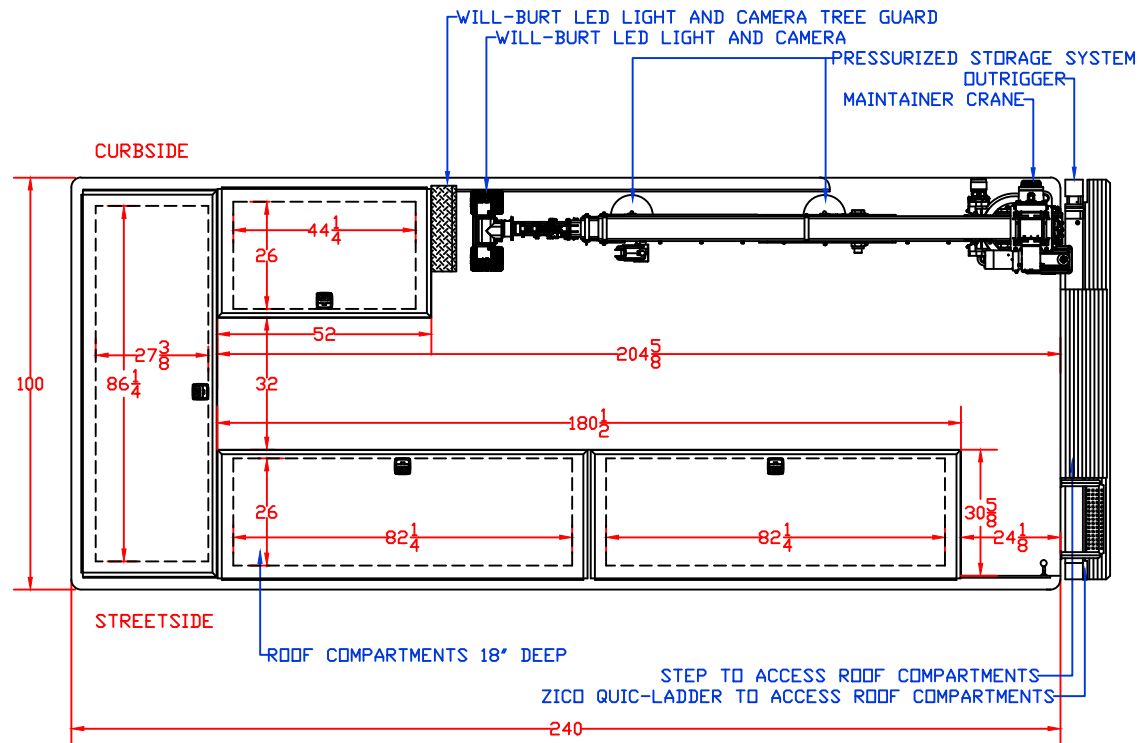


Maintainer mcbfire.com
Custom Bodies, Inc.
 909 South East Street (800) 843-4288 Toll Free
 Rock Rapids, IA 51246 (712) 472-4725

CUSTOMER APPROVED BY:		PAINT CODE:
VEHICLE TYPE: HEAVY RESCUE	CHASSIS: SPARTAN METRO STAR LFD 10" RAISED CAB	
VIEW: TOP	BODY MAT'L: ALUMINUM	
SCALE: NTS	BODY LENGTH: 240"	
DRAWN BY: NRW	APPROVED BY:	
DATE: 4/14/2020	BODY STYLE:	
DWG NO.: BUTLERRESCUE	REVISION:	

BUTLER COUNTY RESCUE SQUAD

NOTE: ALL DIMENSIONS ARE APPROXIMATE



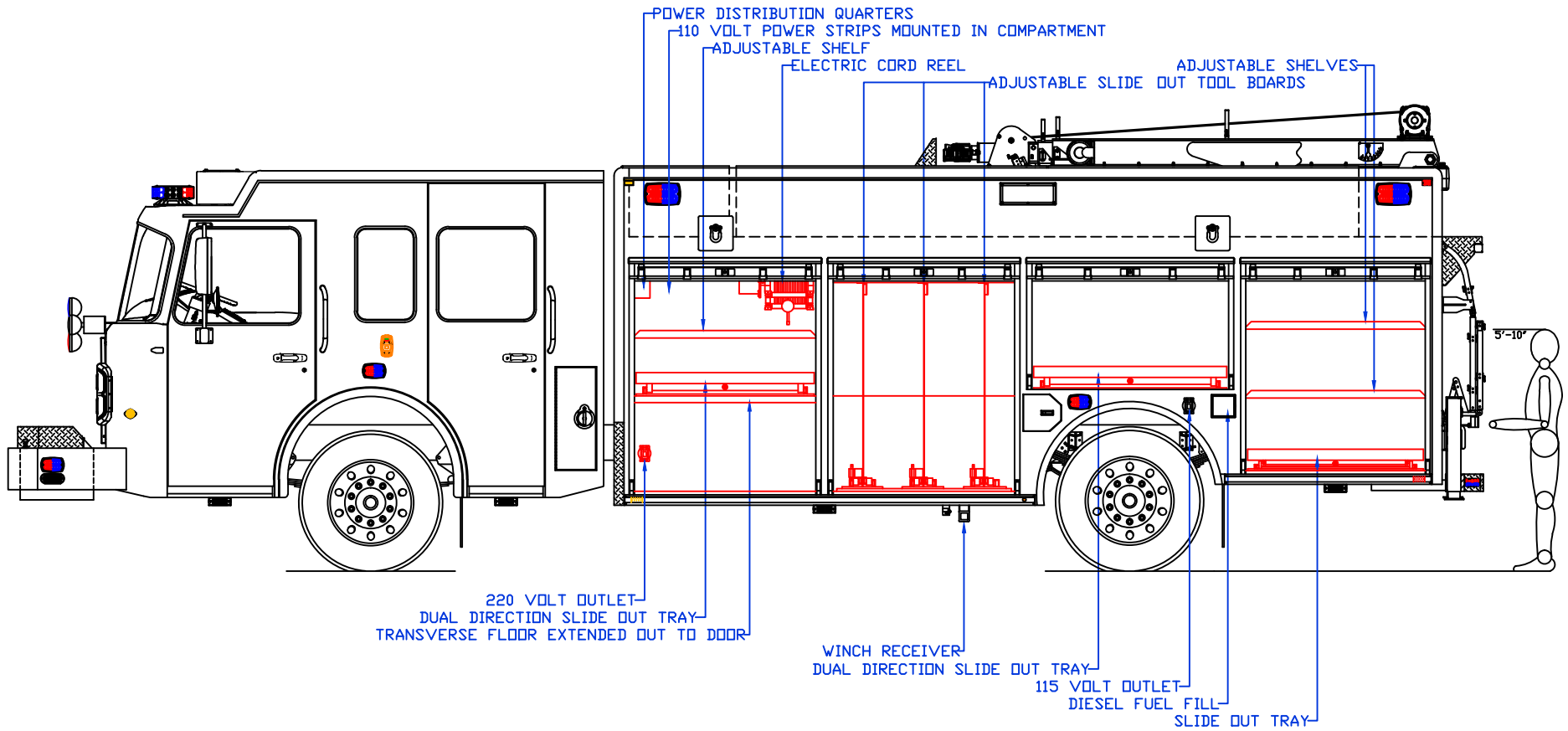
Maintainer mcbfire.com
Custom Bodies, Inc.
 909 South East Street
 Rock Rapids, IA 51246
 (800) 843-4288 Toll Free
 (712) 472-4725

CUSTOMER APPROVED BY: _____ PAINT CODE: _____

VEHICLE TYPE: HEAVY RESCUE	CHASSIS: SPARTAN METRO STAR LFD 10" RAISED CAB
VIEW: ROOF	BODY MAT'L: ALUMINUM
SCALE: NTS	BODY LENGTH: 240"
DRAWN BY: NRW	APPROVED BY:
DATE: 4/14/2020	BODY STYLE:
DWG NO.: BUTLERRESCUE	REVISION:

BUTLER COUNTY RESCUE SQUAD

NOTE: ALL DIMENSIONS ARE APPROXIMATE



Maintainer Custom Bodies, Inc.
 909 South East Street
 Rock Rapids, IA 51246

mcbfire.com

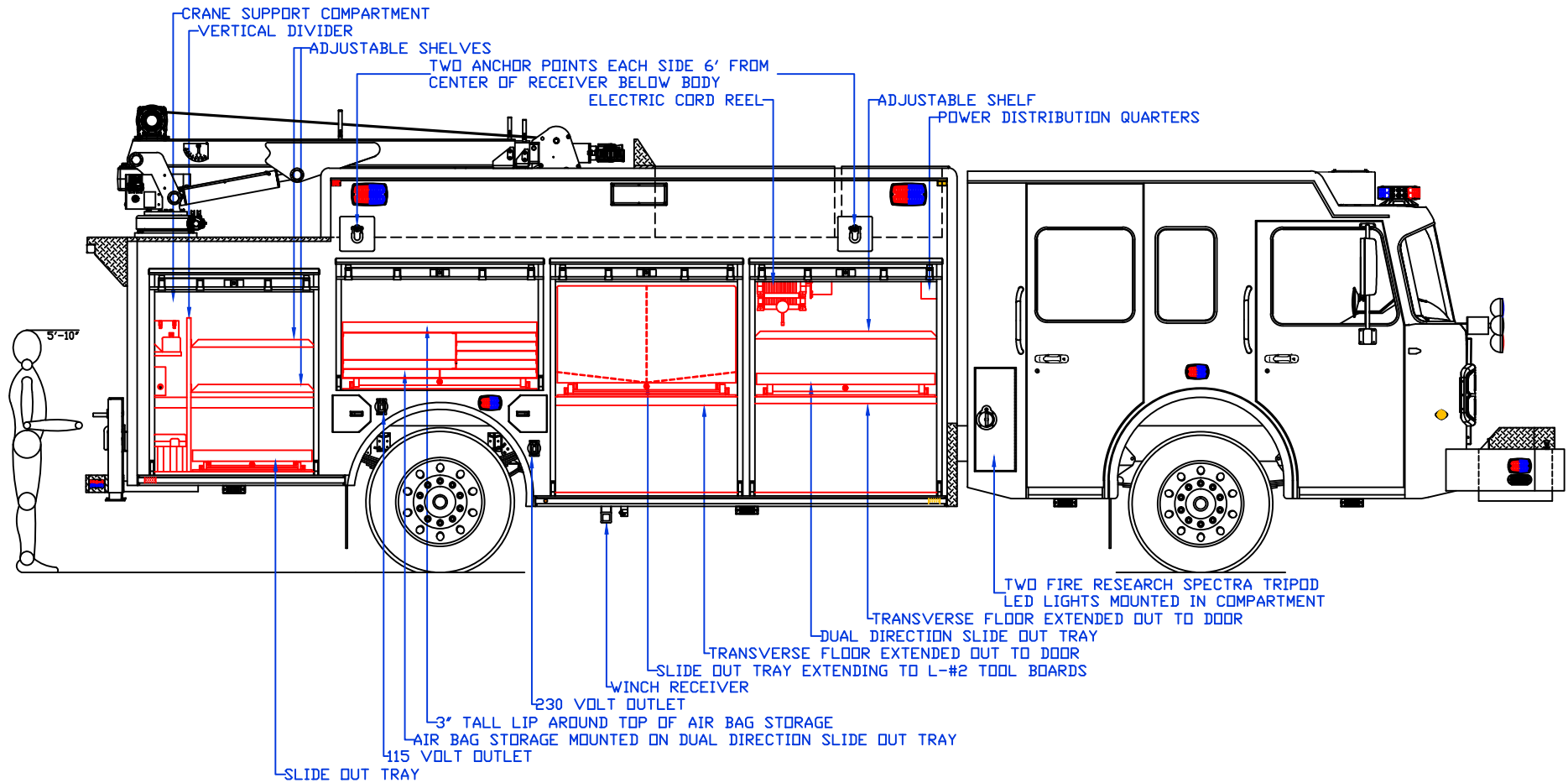
(800) 843-4288 Toll Free
 (712) 472-4725

CUSTOMER APPROVED BY: _____ PAINT CODE: _____

VEHICLE TYPE: HEAVY RESCUE	CHASSIS: SPARTAN METRO STAR LFD 10" RAISED CAB
VIEW: STREETSIDE COMPARTMENT LAYOUT	BODY MAT'L: ALUMINUM
SCALE: NTS	BODY LENGTH: 240"
DRAWN BY: NRW	APPROVED BY: _____
DATE: 4/14/2020	BODY STYLE: _____
DWG NO.: BUTLERRESCUE	REVISION: _____

BUTLER COUNTY RESCUE SQUAD

NOTE: ALL DIMENSIONS ARE APPROXIMATE



Maintainer *Custom Bodies, Inc.*
 909 South East Street
 Rock Rapids, IA 51246
 mcbfire.com
 (800) 843-4288 Toll Free
 (712) 472-4725

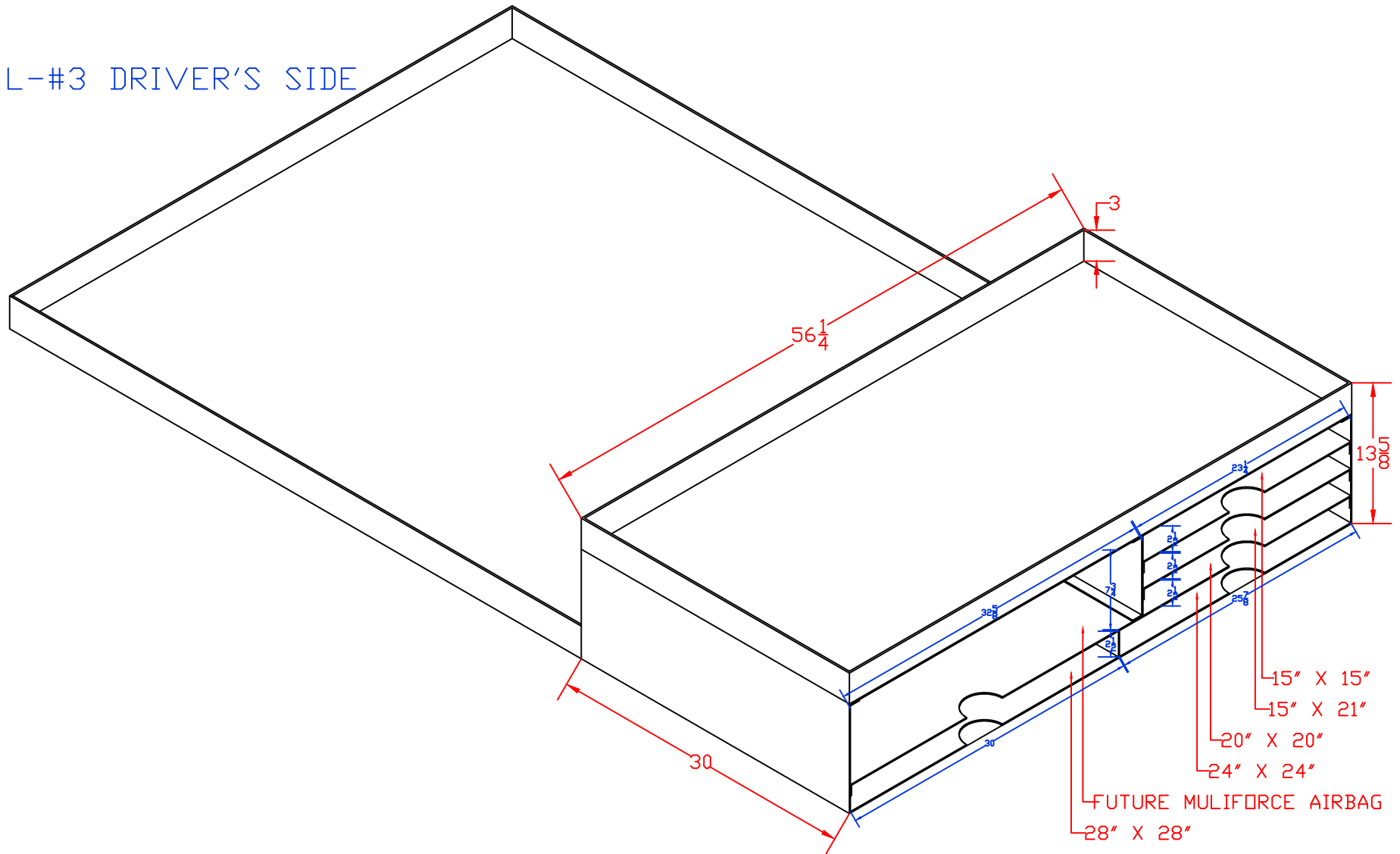
CUSTOMER APPROVED BY:		PAINT CODE:	
VEHICLE TYPE: HEAVY RESCUE	CHASSIS: SPARTAN METRO STAR LFD 10" RAISED CAB	BODY MAT'L: ALUMINUM	BODY LENGTH: 240"
VIEW: CURBSIDE COMPARTMENT LAYOUT	APPROVED BY:	BODY STYLE:	REVISION:
SCALE: NTS	DATE: 4/14/2020	DWG NO.: BUTLERRESCUE	

BUTLER COUNTY RESCUE SQUAD

NOTE: ALL DIMENSIONS ARE APPROXIMATE

BUTLER COUNTY RESCUE SQUAD L&R-#3 COMPARTMENT SLIDE OUT TRAY
WITH AIR BAG STORAGE ON R-#3 SIDE

L-#3 DRIVER'S SIDE



R-#3 PASSENGER SIDE