

WARD APPARATUS

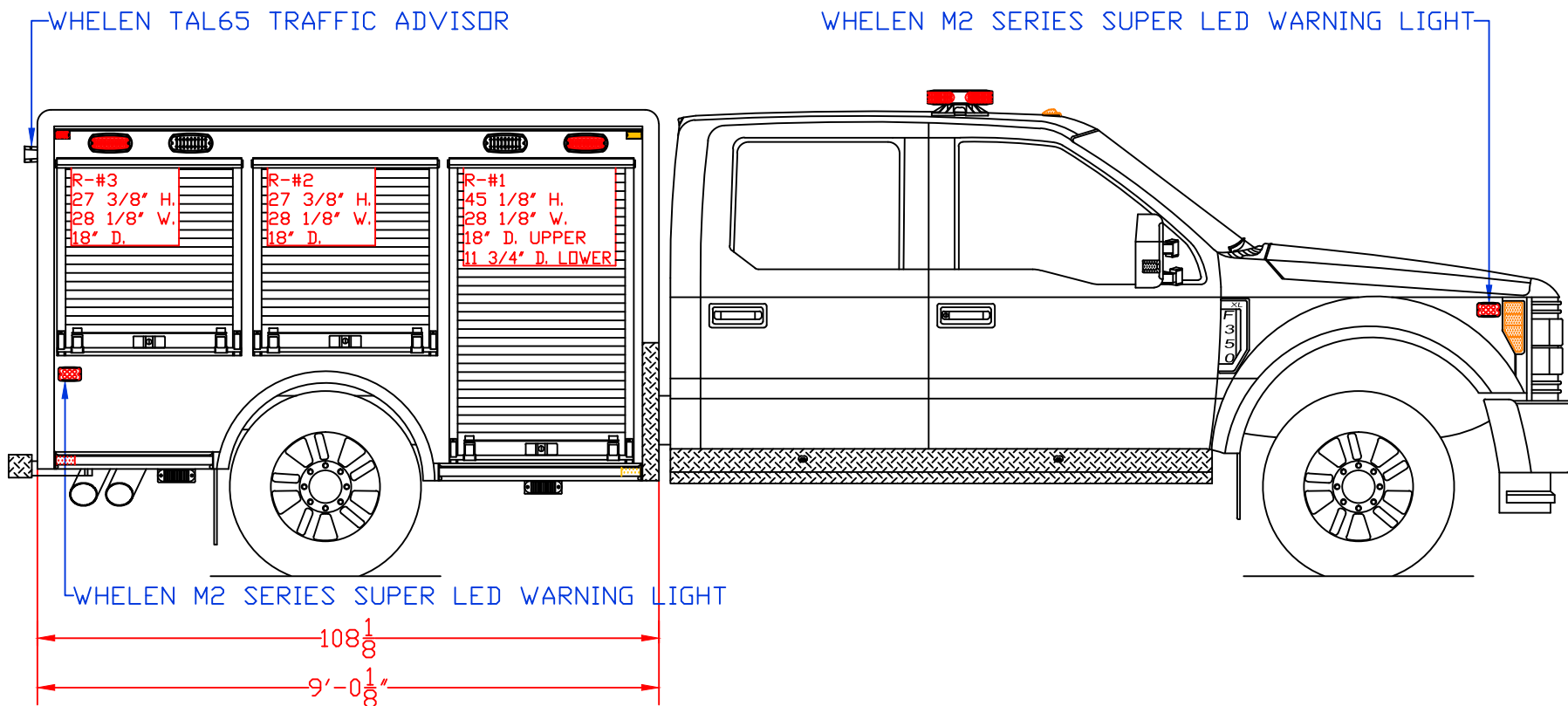
1250 SCHWEIZER ROAD PHONE (607) 796-0149
HORSEHEADS, NY 14845 FAX (607) 739-7092

CUSTOMER APPROVED BY:

| | |
|---------------------------|----------------------------------|
| VEHICLE TYPE: RESCUE | CHASSIS: FORD F-350 CREW CAB 4X4 |
| VIEW: STREETSIDE | BODY MAT'L: ALUMINUM |
| SCALE: NTS | BODY LENGTH: 108 1/8" |
| DRAWN BY: NRW | APPROVED BY: |
| DATE: 2/17/2021 | BODY STYLE: |
| DWG NO.: TABORTONFIREDEPT | REVISION: |

NOTE: ALL DIMENSIONS ARE APPROXIMATE

TABORTON FIRE DEPARTMENT

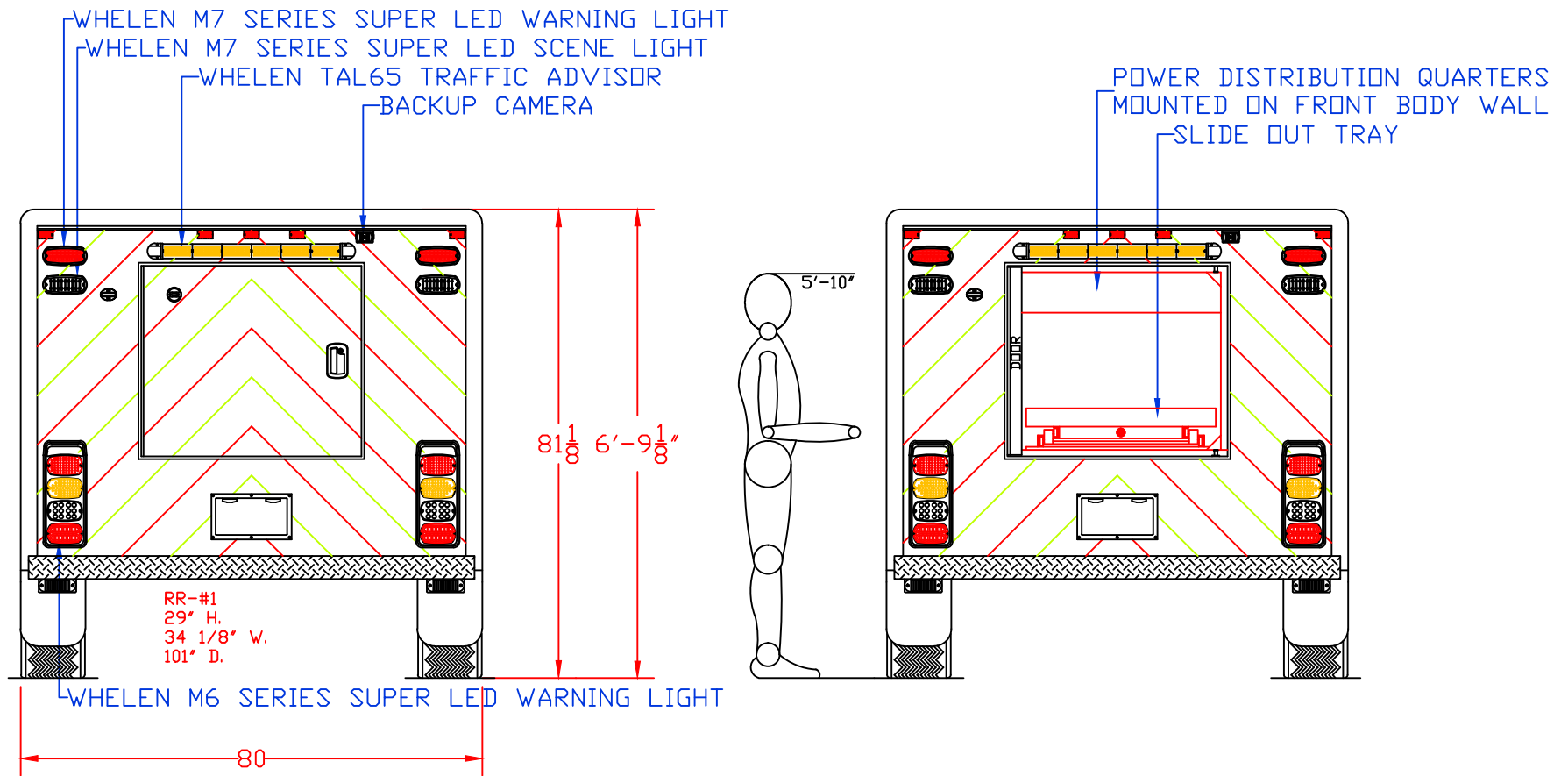


WARD APPARATUS
 1250 SCHWEIZER ROAD PHONE (607) 796-0149
 HORSEHEADS, NY 14845 FAX (607) 739-7092

TABORTON FIRE DEPARTMENT

| | |
|------------------------------|----------------------------------|
| CUSTOMER APPROVED BY: | |
| VEHICLE TYPE: RESCUE | CHASSIS: FORD F-350 CREW CAB 4X4 |
| VIEW: CURBSIDE | BODY MAT'L: ALUMINUM |
| SCALE: NTS | BODY LENGTH: 108 1/8" |
| DRAWN BY: NRW | APPROVED BY: |
| DATE: 2/17/2021 | BODY STYLE: |
| DWG NO.: TABORTONFIREDEPT | REVISION: |

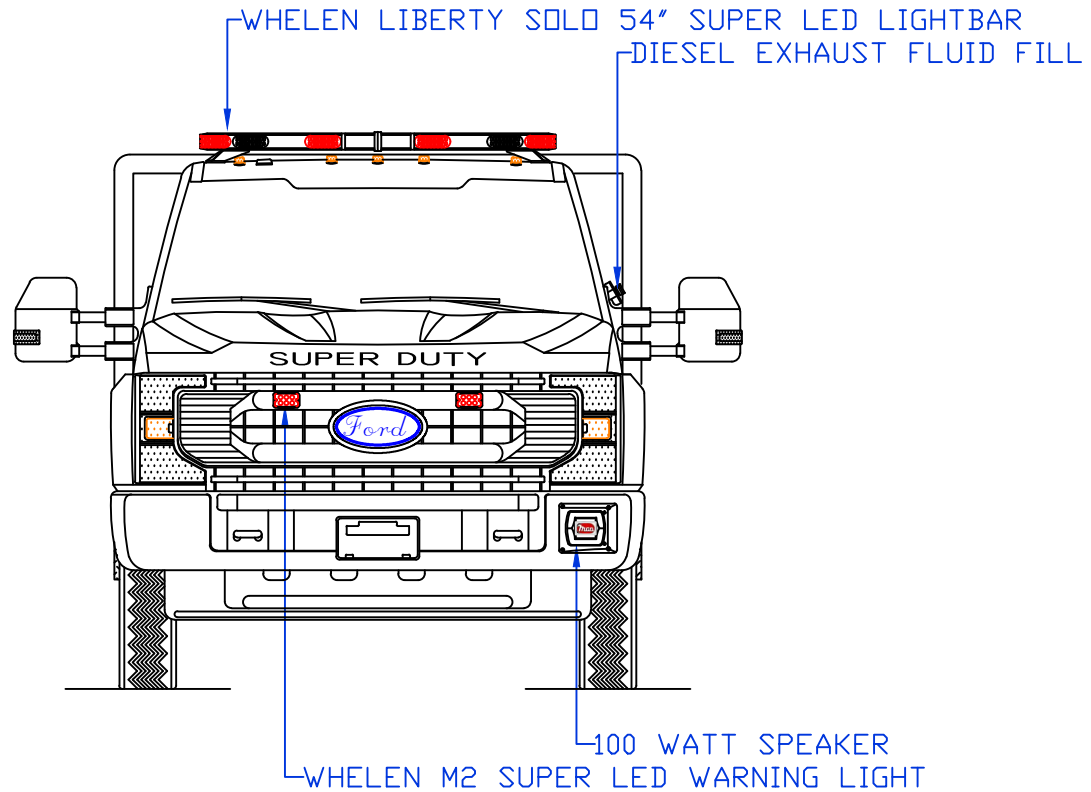
NOTE: ALL DIMENSIONS ARE APPROXIMATE



WARD APPARATUS
 1250 SCHWEIZER ROAD PHONE (607) 796-0149
 HORSEHEADS, NY 14845 FAX (607) 739-7092

| | |
|--------------------------------------|----------------------------------|
| CUSTOMER APPROVED BY: | |
| VEHICLE TYPE: RESCUE | CHASSIS: FORD F-350 CREW CAB 4X4 |
| VIEW: REAR & REAR COMPARTMENT LAYOUT | BODY MAT'L: ALUMINUM |
| SCALE: NTS | BODY LENGTH: 108 1/8" |
| DRAWN BY: NRW | APPROVED BY: |
| DATE: 2/17/2021 | BODY STYLE: |
| DWG NO.: TABORTONFIREDEPT | REVISION: |

NOTE: ALL DIMENSIONS ARE APPROXIMATE



WARD APPARATUS

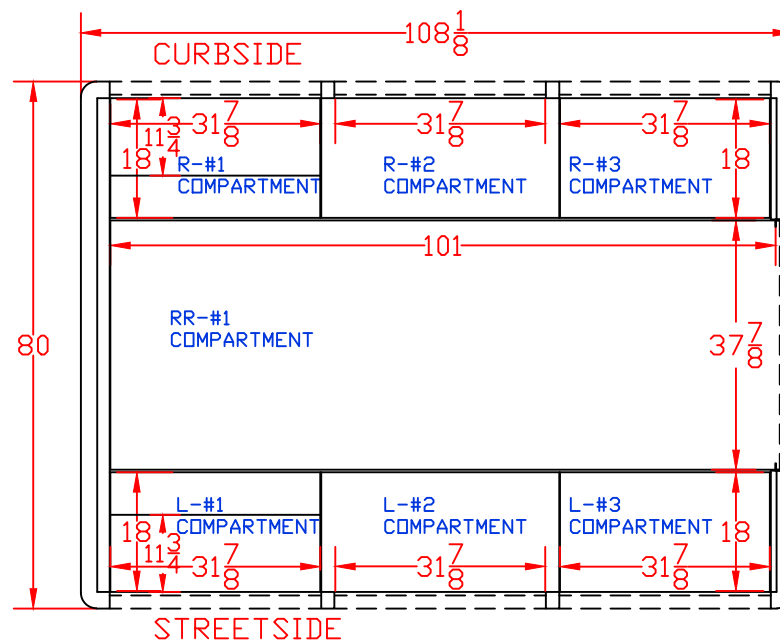
1250 SCHWEIZER ROAD PHONE (607) 796-0149
 HORSEHEADS, NY 14845 FAX (607) 739-7092

CUSTOMER APPROVED BY:

| | |
|---------------------------|----------------------------------|
| VEHICLE TYPE: RESCUE | CHASSIS: FORD F-350 CREW CAB 4X4 |
| VIEW: FRONT | BODY MAT'L: ALUMINUM |
| SCALE: NTS | BODY LENGTH: 108 1/8" |
| DRAWN BY: NRW | APPROVED BY: |
| DATE: 2/17/2021 | BODY STYLE: |
| DWG NO.: TABORTONFIREDEPT | REVISION: |

NOTE: ALL DIMENSIONS ARE APPROXIMATE

TABORTON FIRE DEPARTMENT



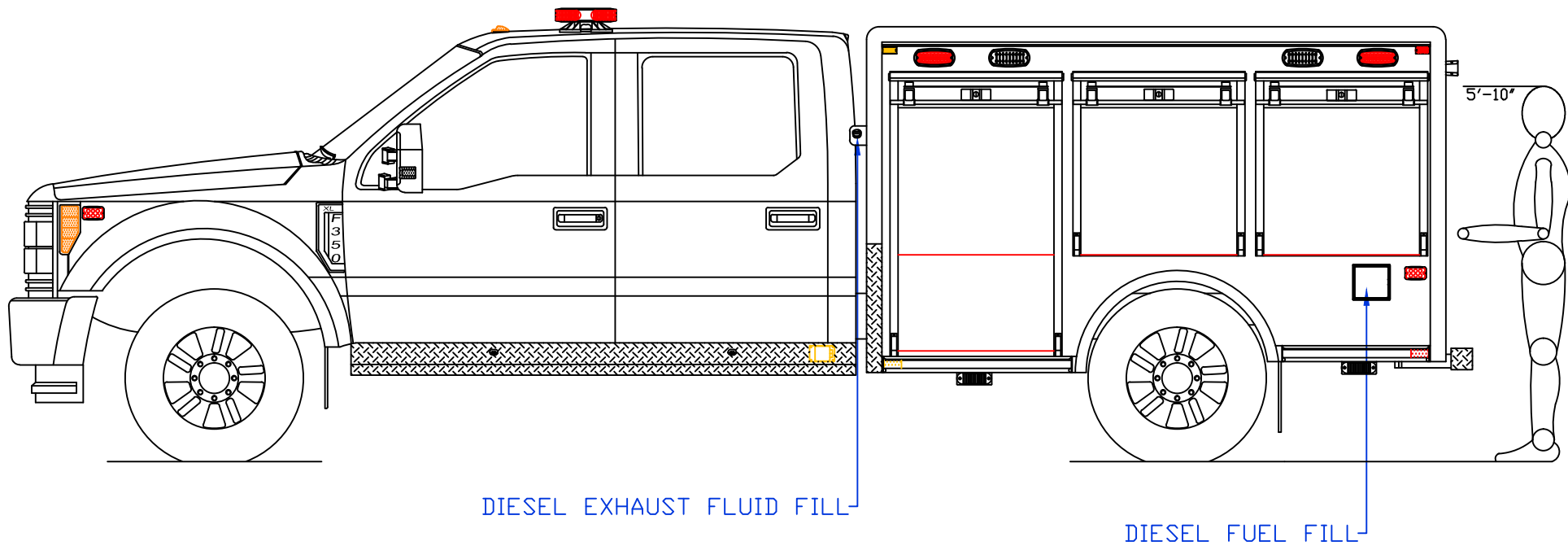
WARD APPARATUS
 1250 SCHWEIZER ROAD PHONE (607) 796-0149
 HORSEHEADS, NY 14845 FAX (607) 739-7092

TABORTON FIRE DEPARTMENT

CUSTOMER APPROVED BY:

| | |
|---------------------------|----------------------------------|
| VEHICLE TYPE: RESCUE | CHASSIS: FORD F-350 CREW CAB 4X4 |
| VIEW: TOP | BODY MAT'L: ALUMINUM |
| SCALE: NTS | BODY LENGTH: 108 1/8" |
| DRAWN BY: NRW | APPROVED BY: |
| DATE: 2/17/2021 | BODY STYLE: |
| DWG NO.: TABORTONFIREDEPT | REVISION: |

NOTE: ALL DIMENSIONS ARE APPROXIMATE



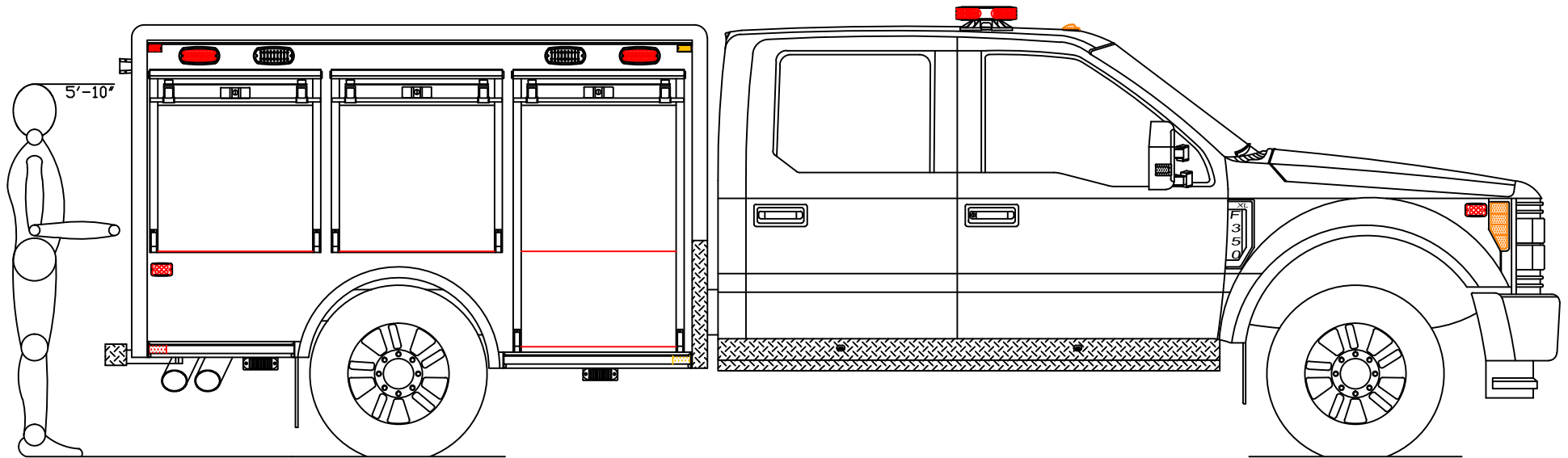
WARD APPARATUS
 1250 SCHWEIZER ROAD PHONE (607) 796-0149
 HORSEHEADS, NY 14845 FAX (607) 739-7092

CUSTOMER APPROVED BY:

| | |
|-------------------------------------|----------------------------------|
| VEHICLE TYPE: RESCUE | CHASSIS: FORD F-350 CREW CAB 4X4 |
| VIEW: STREETSIDE COMPARTMENT LAYOUT | BODY MAT'L: ALUMINUM |
| SCALE: NTS | BODY LENGTH: 108 1/8" |
| DRAWN BY: NRW | APPROVED BY: |
| DATE: 2/17/2021 | BODY STYLE: |
| DWG NO.: TABORTONFIREDEPT | REVISION: |

TABORTON FIRE DEPARTMENT

NOTE: ALL DIMENSIONS ARE APPROXIMATE



WARD APPARATUS

1250 SCHWEIZER ROAD PHONE (607) 796-0149
 HORSEHEADS, NY 14845 FAX (607) 739-7092

CUSTOMER APPROVED BY:

| | |
|-----------------------------------|----------------------------------|
| VEHICLE TYPE: RESCUE | CHASSIS: FORD F-350 CREW CAB 4X4 |
| VIEW: CURBSIDE COMPARTMENT LAYOUT | BODY MAT'L: ALUMINUM |
| SCALE: NTS | BODY LENGTH: 108 1/8" |
| DRAWN BY: NRW | APPROVED BY: |
| DATE: 2/17/2021 | BODY STYLE: |
| DWG NO.: TABORTONFIREDEPT | REVISION: |

TABORTON FIRE DEPARTMENT

NOTE: ALL DIMENSIONS ARE APPROXIMATE