

**WARD APPARATUS**

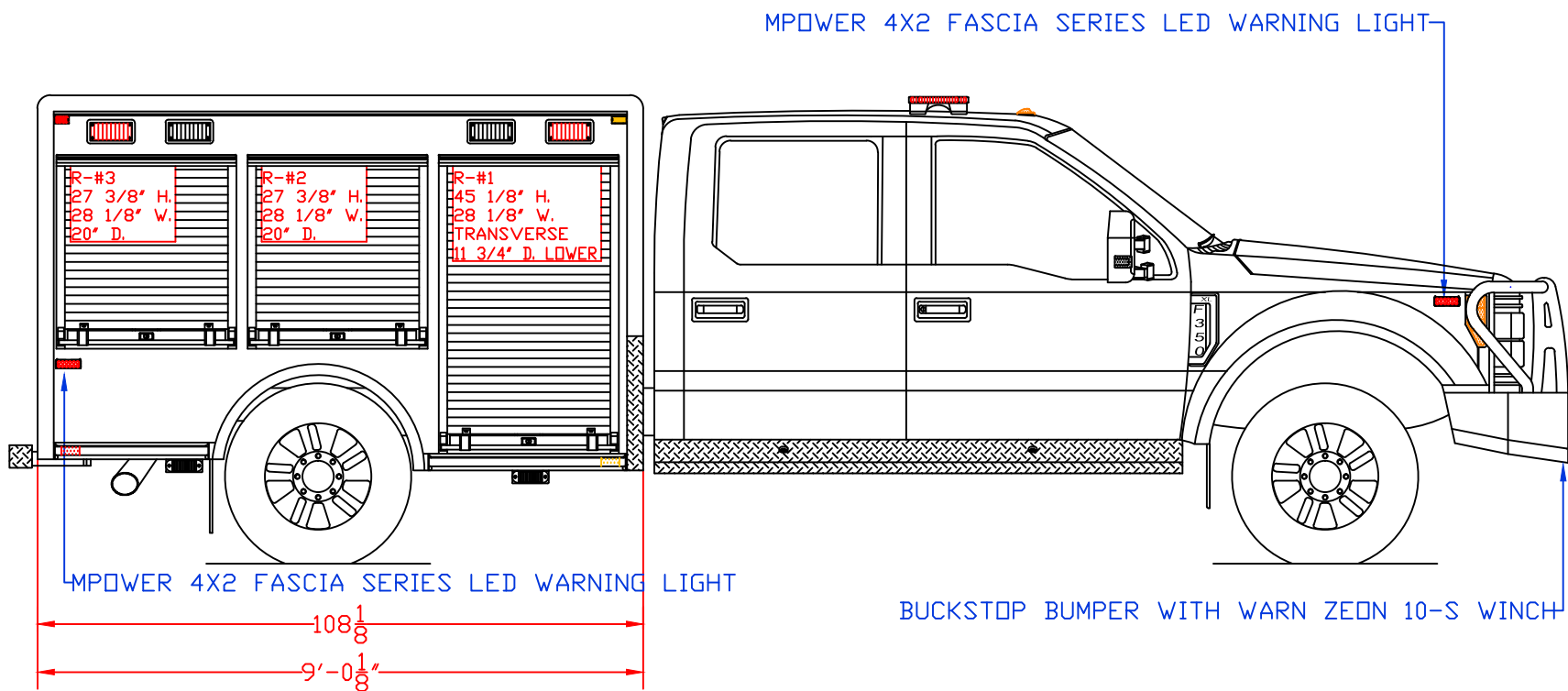
1250 SCHWEIZER ROAD PHONE (607) 796-0149  
HORSEHEADS, NY 14845 FAX (607) 739-7092

CUSTOMER APPROVED BY:

VEHICLE TYPE: SHOW	CHASSIS: FORD F-350 CREW CAB 4X4
VIEW: STREETSIDE	BODY MAT'L: ALUMINUM
SCALE: NTS	BODY LENGTH: 108 1/8"
DRAWN BY: NRW	APPROVED BY:
DATE: 4/23/2021	BODY STYLE:
DWG NO.: PACDEMO	REVISION:

PAC DEMO VEHICLE

NOTE: ALL DIMENSIONS ARE APPROXIMATE



**WARD APPARATUS**

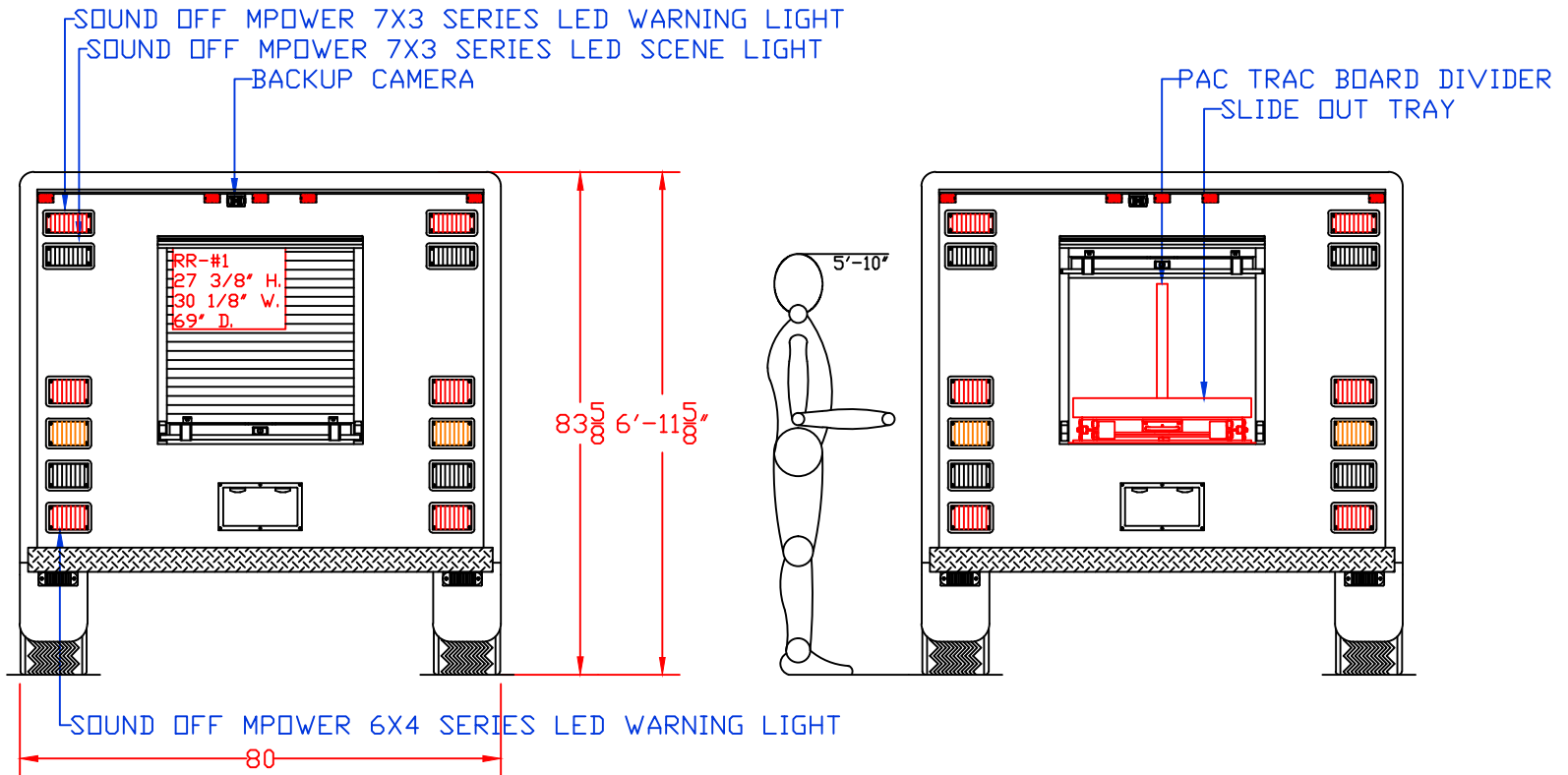
1250 SCHWEIZER ROAD PHONE (607) 796-0149  
 HORSEHEADS, NY 14845 FAX (607) 739-7092

CUSTOMER APPROVED BY:

VEHICLE TYPE: SHOW	CHASSIS: FORD F-350 CREW CAB 4X4
VIEW: CURBSIDE	BODY MAT'L: ALUMINUM
SCALE: NTS	BODY LENGTH: 108 1/8"
DRAWN BY: NRW	APPROVED BY:
DATE: 4/23/2021	BODY STYLE:
DWG NO.: PACDEMO	REVISION:

PAC DEMO VEHICLE

NOTE: ALL DIMENSIONS ARE APPROXIMATE



**WARD APPARATUS**

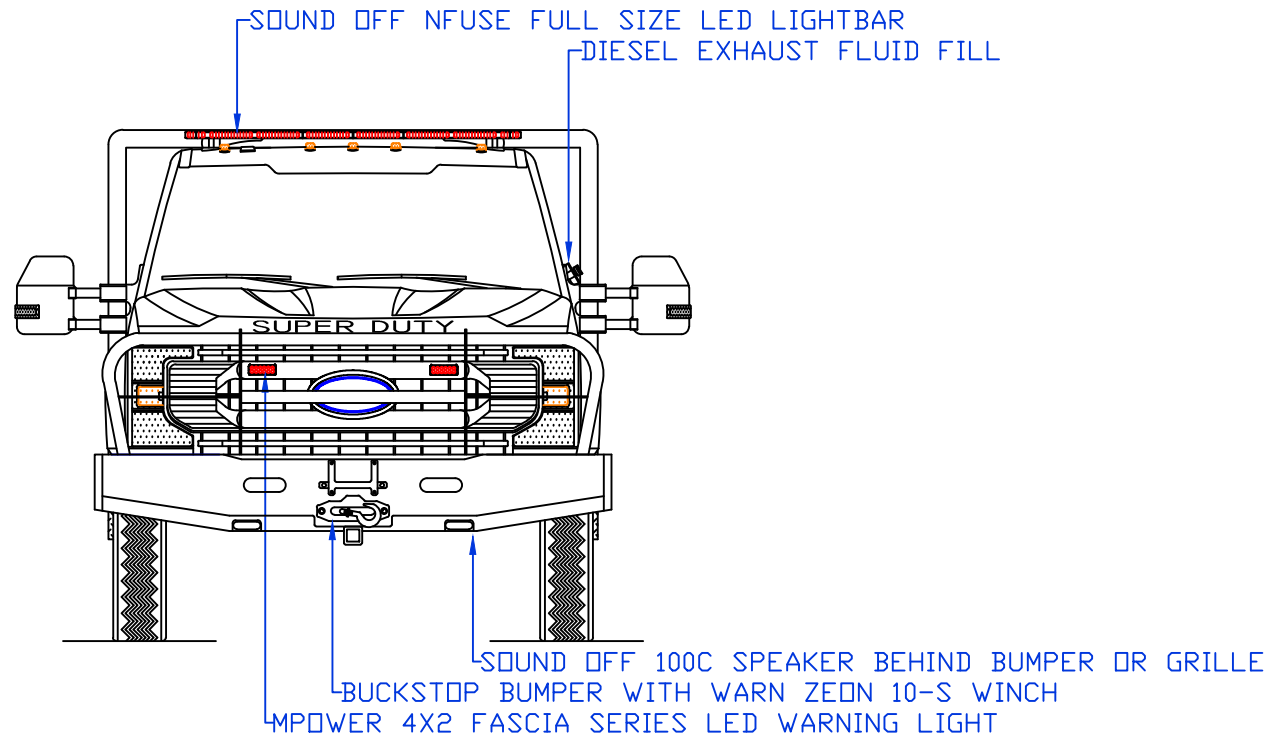
1250 SCHWEIZER ROAD PHONE (607) 796-0149  
 HORSEHEADS, NY 14845 FAX (607) 739-7092

PAC DEMO VEHICLE

CUSTOMER APPROVED BY:

VEHICLE TYPE: SHOW	CHASSIS: FORD F-350 CREW CAB 4X4
VIEW: REAR & REAR COMPARTMENT LAYOUT	BODY MAT'L: ALUMINUM
SCALE: NTS	BODY LENGTH: 108 1/8"
DRAWN BY: NRW	APPROVED BY:
DATE: 4/23/2021	BODY STYLE:
DWG NO.: PACDEMO	REVISION:

NOTE: ALL DIMENSIONS ARE APPROXIMATE



**WARD APPARATUS**

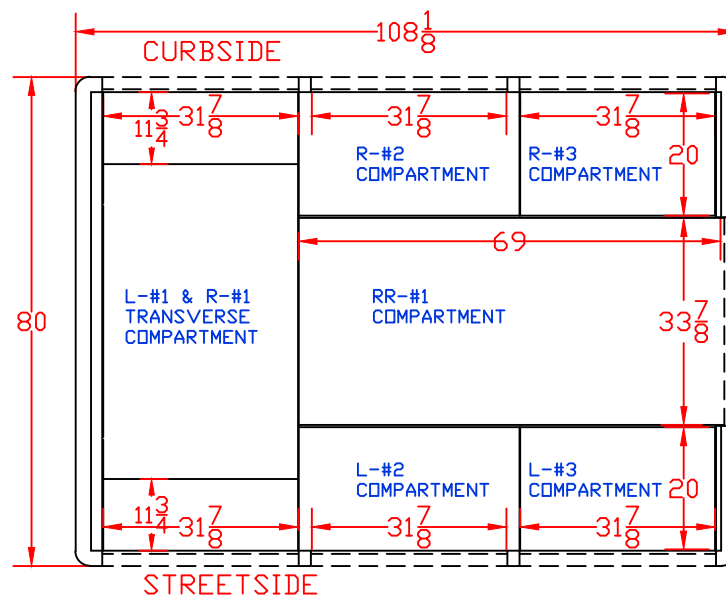
1250 SCHWEIZER ROAD PHONE (607) 796-0149  
 HORSEHEADS, NY 14845 FAX (607) 739-7092

PAC DEMO VEHICLE

CUSTOMER APPROVED BY:

VEHICLE TYPE: SHOW	CHASSIS: FORD F-350 CREW CAB 4X4
VIEW: FRONT	BODY MAT'L: ALUMINUM
SCALE: NTS	BODY LENGTH: 108 1/8"
DRAWN BY: NRW	APPROVED BY:
DATE: 4/23/2021	BODY STYLE:
DWG NO.: PACDEMO	REVISION:

NOTE: ALL DIMENSIONS ARE APPROXIMATE



**WARD APPARATUS**

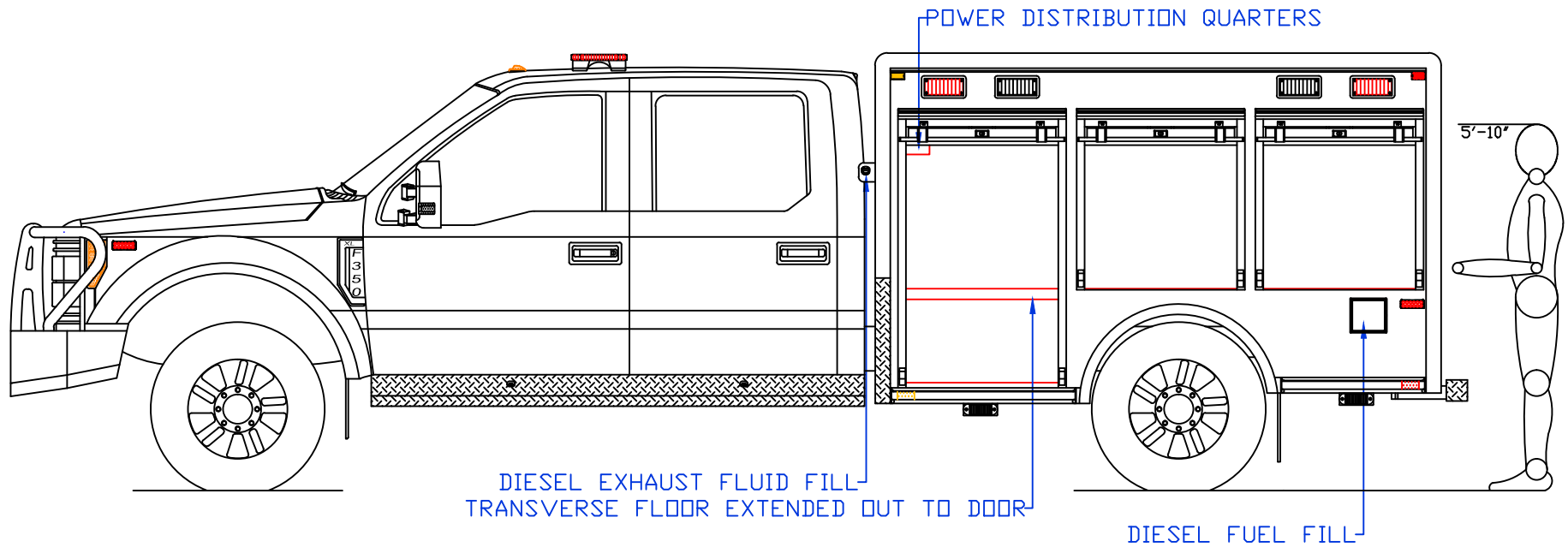
1250 SCHWEIZER ROAD    PHONE (607) 796-0149  
 HORSEHEADS, NY 14845    FAX (607) 739-7092

PAC DEMO VEHICLE

CUSTOMER APPROVED BY: \_\_\_\_\_

VEHICLE TYPE: SHOW	CHASSIS: FORD F-350 CREW CAB 4X4
VIEW: TOP	BODY MAT'L: ALUMINUM
SCALE: NTS	BODY LENGTH: 108 1/8"
DRAWN BY: NRW	APPROVED BY:
DATE: 4/21/2021	BODY STYLE:
DWG NO.: PACDEMO	REVISION:

*NOTE: ALL DIMENSIONS ARE APPROXIMATE*



**WARD APPARATUS**

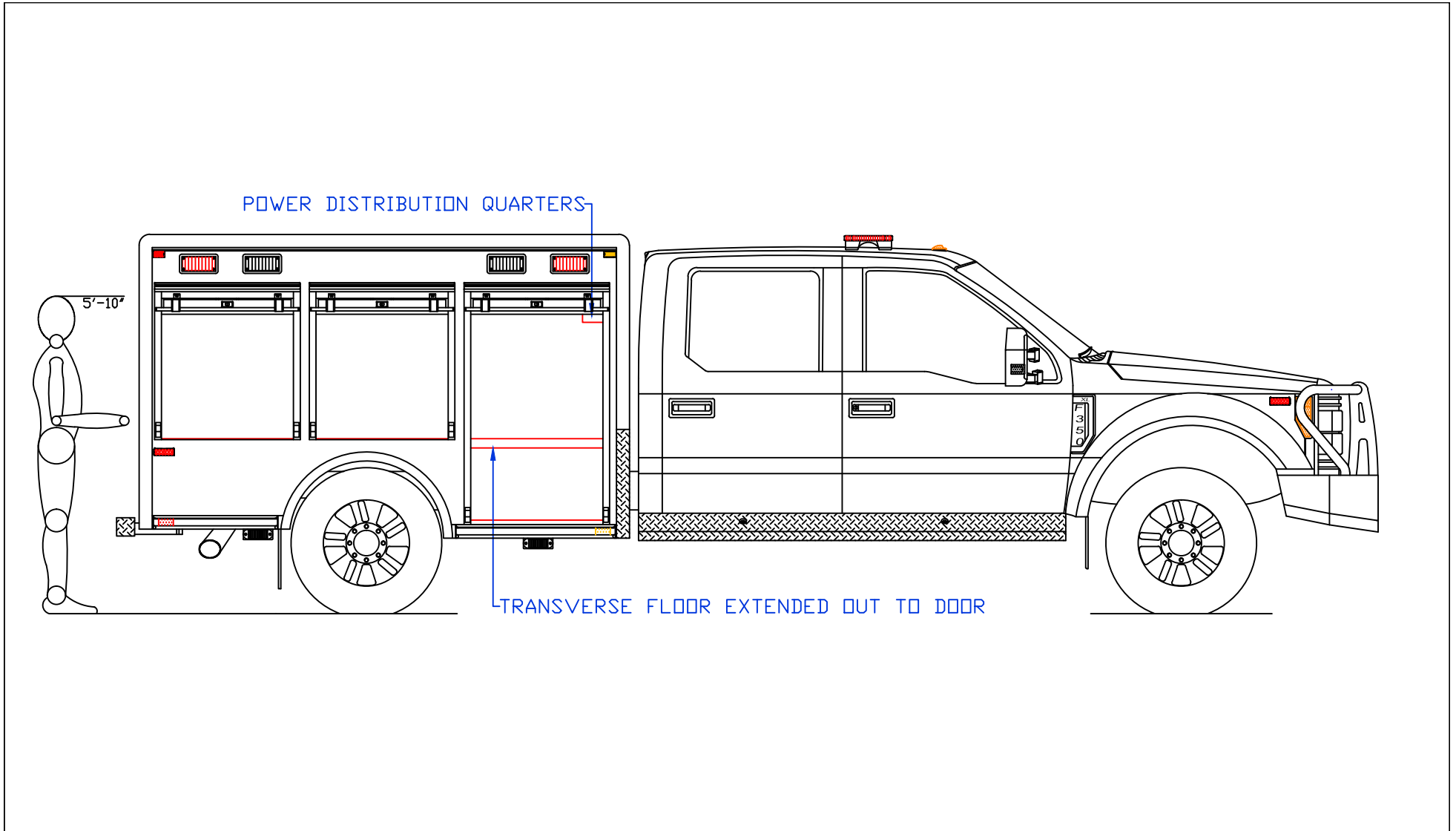
1250 SCHWEIZER ROAD    PHONE (607) 796-0149  
HORSEHEADS, NY 14845    FAX (607) 739-7092

PAC DEMO VEHICLE

CUSTOMER APPROVED BY: \_\_\_\_\_

VEHICLE TYPE: SHOW	CHASSIS: FORD F-350 CREW CAB 4X4
VIEW: STREETSIDE COMPARTMENT LAYOUT	BODY MAT'L: ALUMINUM
SCALE: NTS	BODY LENGTH: 108 1/8"
DRAWN BY: NRW	APPROVED BY:
DATE: 4/23/2021	BODY STYLE:
DWG NO.: PACDEMO	REVISION:

NOTE: ALL DIMENSIONS ARE APPROXIMATE



**WARD APPARATUS**

1250 SCHWEIZER ROAD    PHONE (607) 796-0149  
 HORSEHEADS, NY 14845    FAX (607) 739-7092

PAC DEMO VEHICLE

**CUSTOMER APPROVED BY:**

VEHICLE TYPE: SHOW	CHASSIS: FORD F-350 CREW CAB 4X4
VIEW: CURBSIDE COMPARTMENT LAYOUT	BODY MAT'L: ALUMINUM
SCALE: NTS	BODY LENGTH: 108 1/8"
DRAWN BY: NRW	APPROVED BY:
DATE: 4/23/2021	BODY STYLE:
DWG NO.: PACDEMO	REVISION:

*NOTE: ALL DIMENSIONS ARE APPROXIMATE*