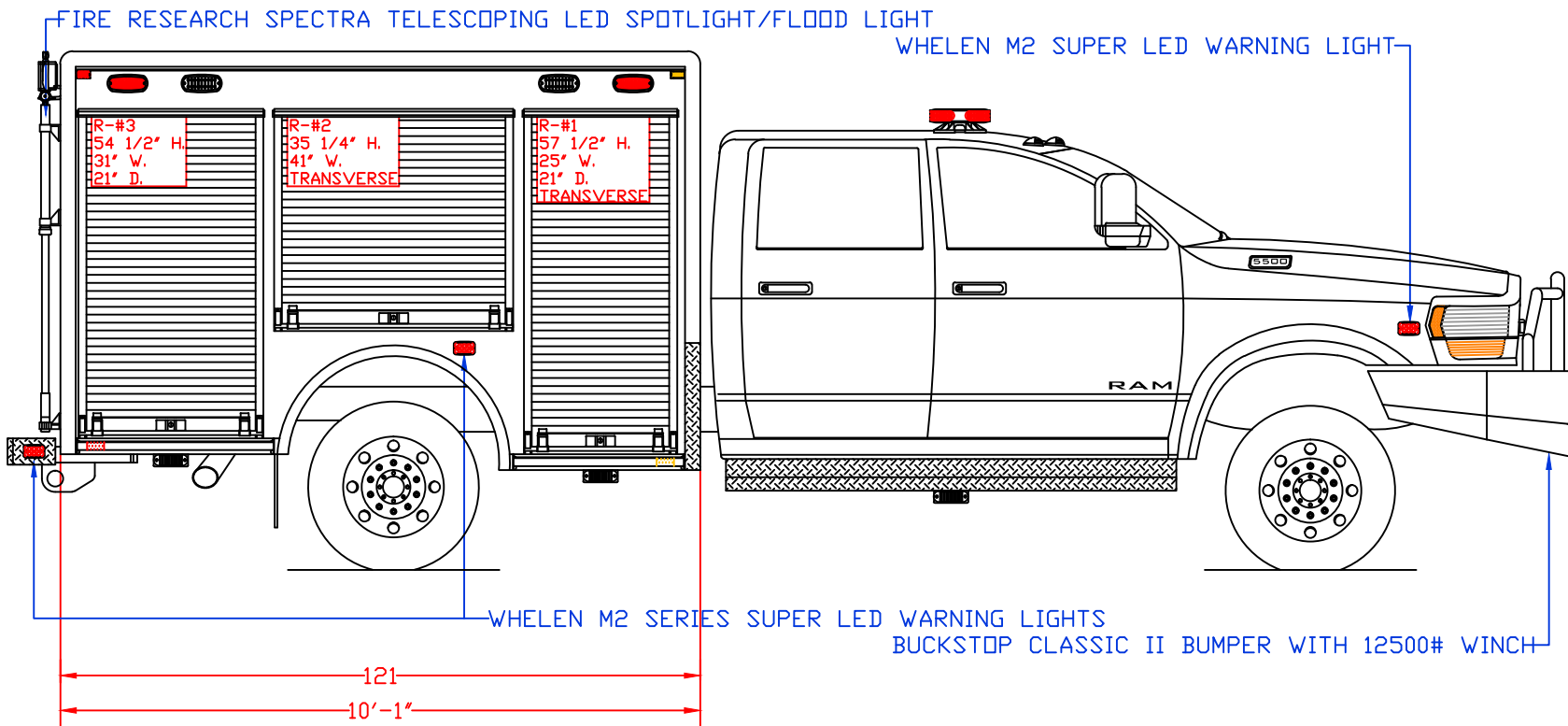


**WARD APPARATUS**  
 1250 SCHWEIZER ROAD    PHONE (607) 796-0149  
 HORSEHEADS, NY 14845    FAX (607) 739-7092

<b>CUSTOMER APPROVED BY:</b>	
VEHICLE TYPE: RESCUE	CHASSIS: RAM 5500 CREW CAB 4X4
VIEW: STREETSIDE	BODY MAT'L: ALUMINUM
SCALE: NTS	BODY LENGTH: 121"
DRAWN BY: NRW	APPROVED BY:
DATE: 11/15/2021	BODY STYLE:
DWG NO.: LAKESIDEFD	REVISION:

LAKESIDE FIRE DEPARTMENT 10' SQUAD

NOTE: ALL DIMENSIONS ARE APPROXIMATE



**WARD APPARATUS**

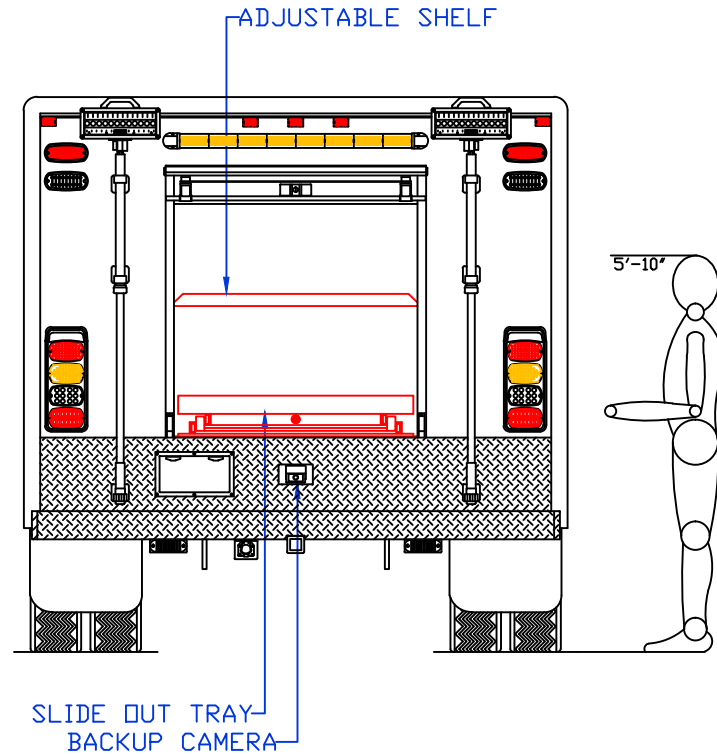
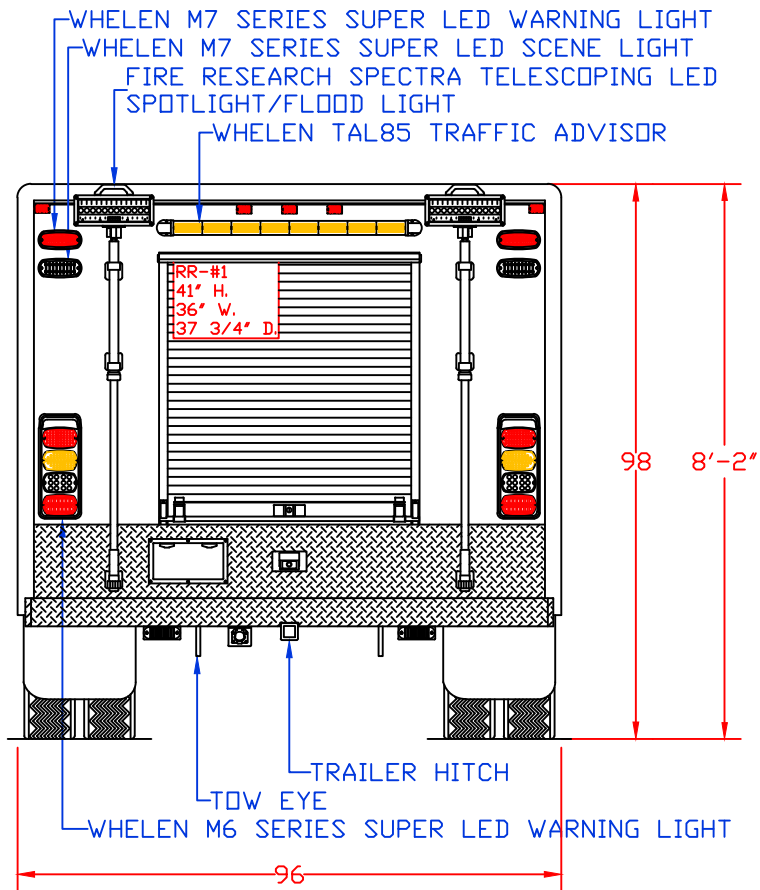
1250 SCHWEIZER ROAD PHONE (607) 796-0149  
HORSEHEADS, NY 14845 FAX (607) 739-7092

**CUSTOMER APPROVED BY:**

VEHICLE TYPE: RESCUE	CHASSIS: RAM 5500 CREW CAB 4X4
VIEW: CURBSIDE	BODY MAT'L: ALUMINUM
SCALE: NTS	BODY LENGTH: 121"
DRAWN BY: NRW	APPROVED BY:
DATE: 11/15/2021	BODY STYLE:
DWG NO.: LAKESIDEFD	REVISION:

LAKESIDE FIRE DEPARTMENT 10' SQUAD

NOTE: ALL DIMENSIONS ARE APPROXIMATE



**WARD APPARATUS**

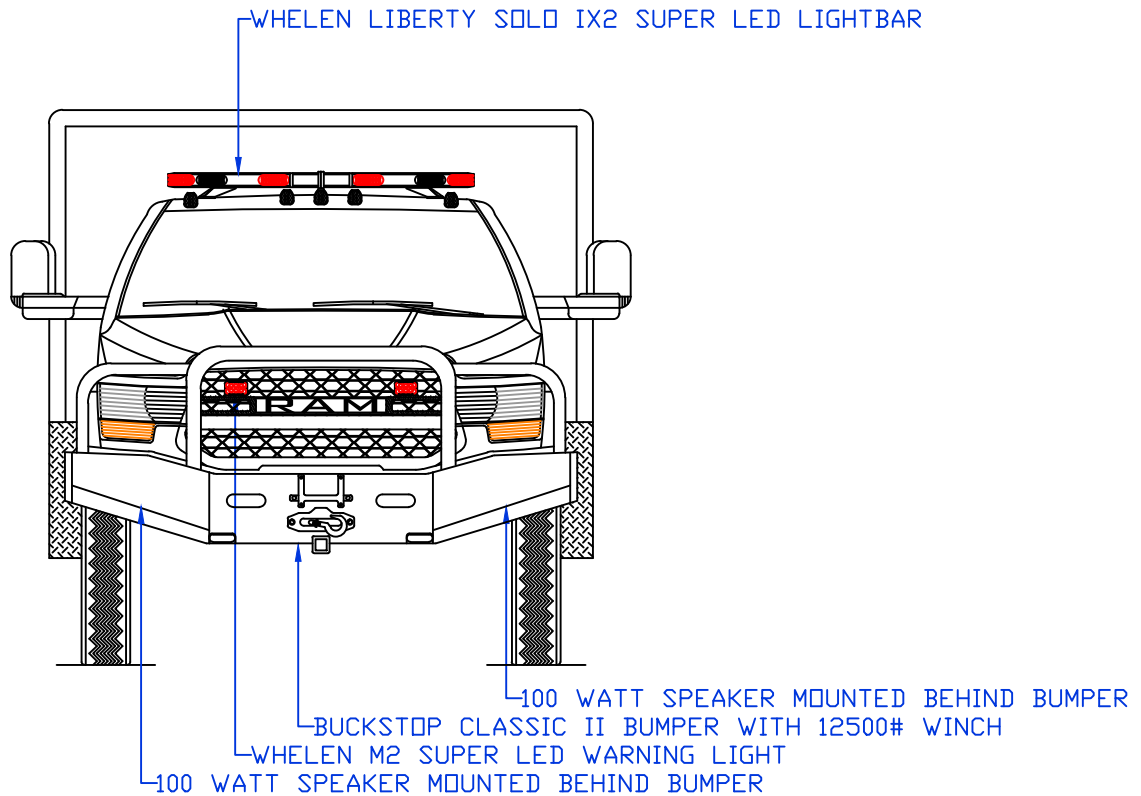
1250 SCHWEIZER ROAD PHONE (607) 796-0149  
 HORSEHEADS, NY 14845 FAX (607) 739-7092

LAKESIDE FIRE DEPARTMENT 10' SQUAD

**CUSTOMER APPROVED BY:**

VEHICLE TYPE: RESCUE	CHASSIS: RAM 5500 CREW CAB 4X4
VIEW: REAR & REAR COMPARTMENT LAYOUT	BODY MAT'L: ALUMINUM
SCALE: NTS	BODY LENGTH: 121"
DRAWN BY: NRW	APPROVED BY:
DATE: 11/15/2021	BODY STYLE:
DWG NO.: LAKESIDEFD	REVISION:

NOTE: ALL DIMENSIONS ARE APPROXIMATE



**WARD APPARATUS**

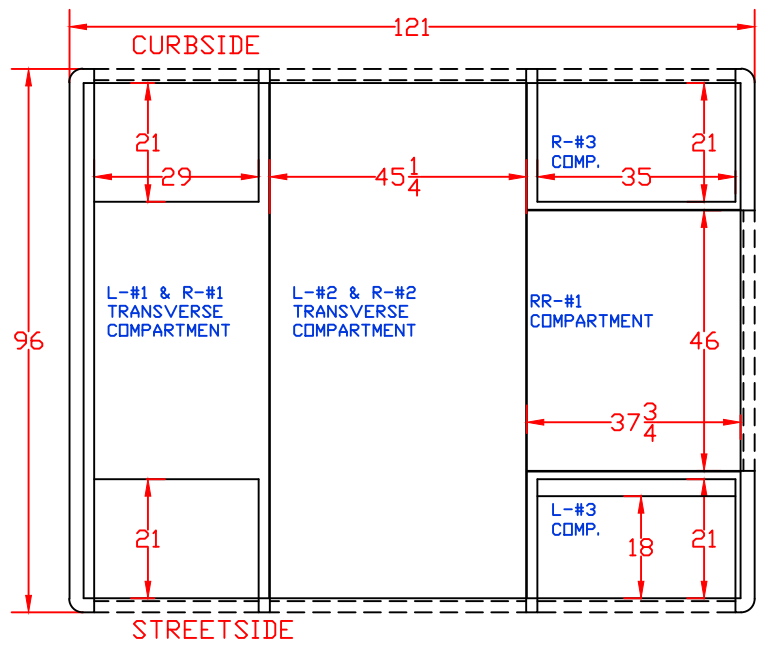
1250 SCHWEIZER ROAD PHONE (607) 796-0149  
 HORSEHEADS, NY 14845 FAX (607) 739-7092

**CUSTOMER APPROVED BY:**

VEHICLE TYPE: RESCUE	CHASSIS: RAM 5500 CREW CAB 4X4
VIEW: FRONT	BODY MAT'L: ALUMINUM
SCALE: NTS	BODY LENGTH: 121"
DRAWN BY: NRW	APPROVED BY:
DATE: 11/15/2021	BODY STYLE:
DWG NO.: LAKESIDEFD	REVISION:

LAKESIDE FIRE DEPARTMENT 10' SQUAD

NOTE: ALL DIMENSIONS ARE APPROXIMATE



**WARD APPARATUS**

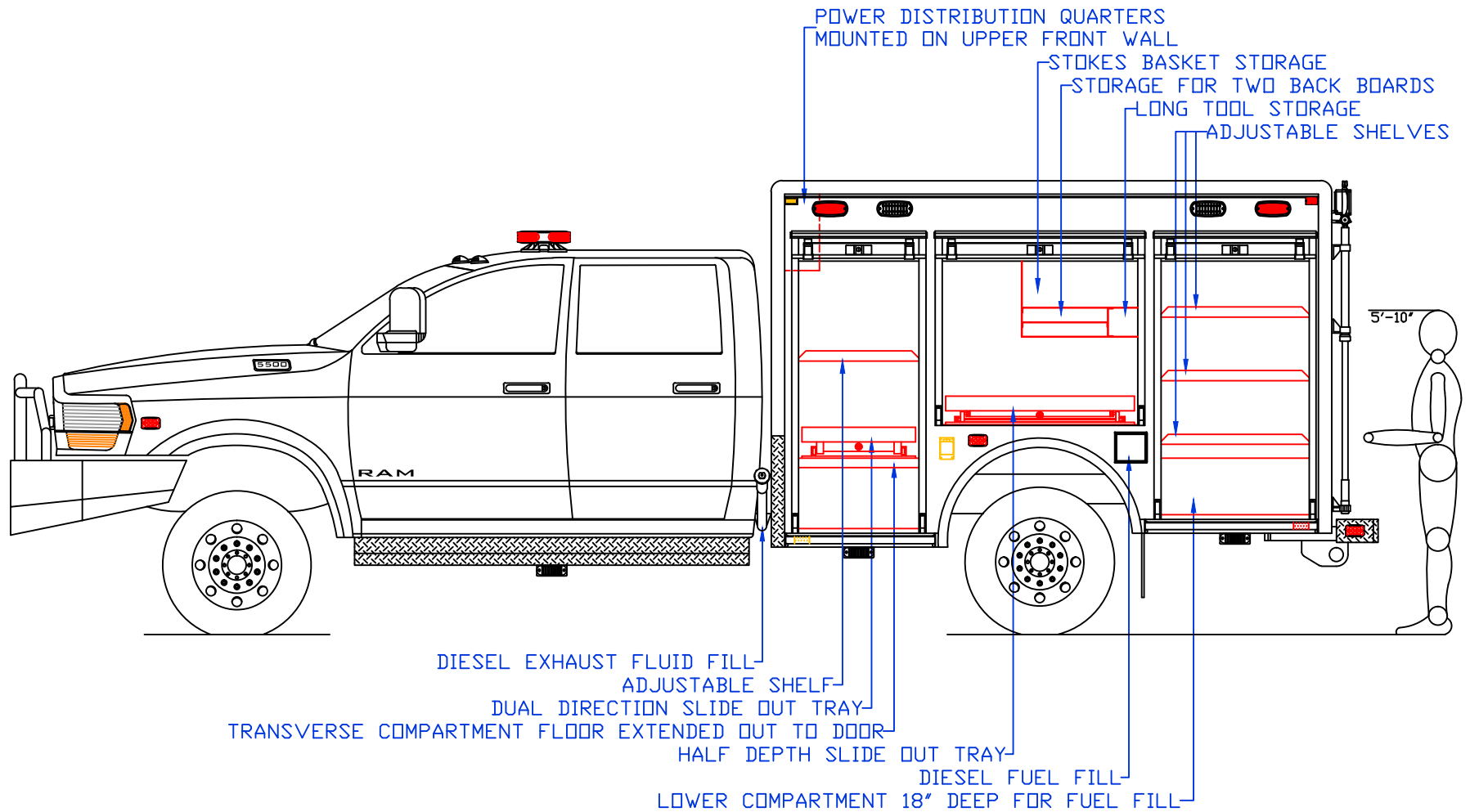
1250 SCHWEIZER ROAD PHONE (607) 796-0149  
 HORSEHEADS, NY 14845 FAX (607) 739-7092

**CUSTOMER APPROVED BY:**

VEHICLE TYPE: RESCUE	CHASSIS: RAM 5500 CREW CAB 4X4
VIEW: TOP	BODY MAT'L: ALUMINUM
SCALE: NTS	BODY LENGTH: 121"
DRAWN BY: NRW	APPROVED BY:
DATE: 11/15/2021	BODY STYLE:
DWG NO.: LAKESIDEFD	REVISION:

LAKESIDE FIRE DEPARTMENT 10' SQUAD

NOTE: ALL DIMENSIONS ARE APPROXIMATE



**WARD APPARATUS**

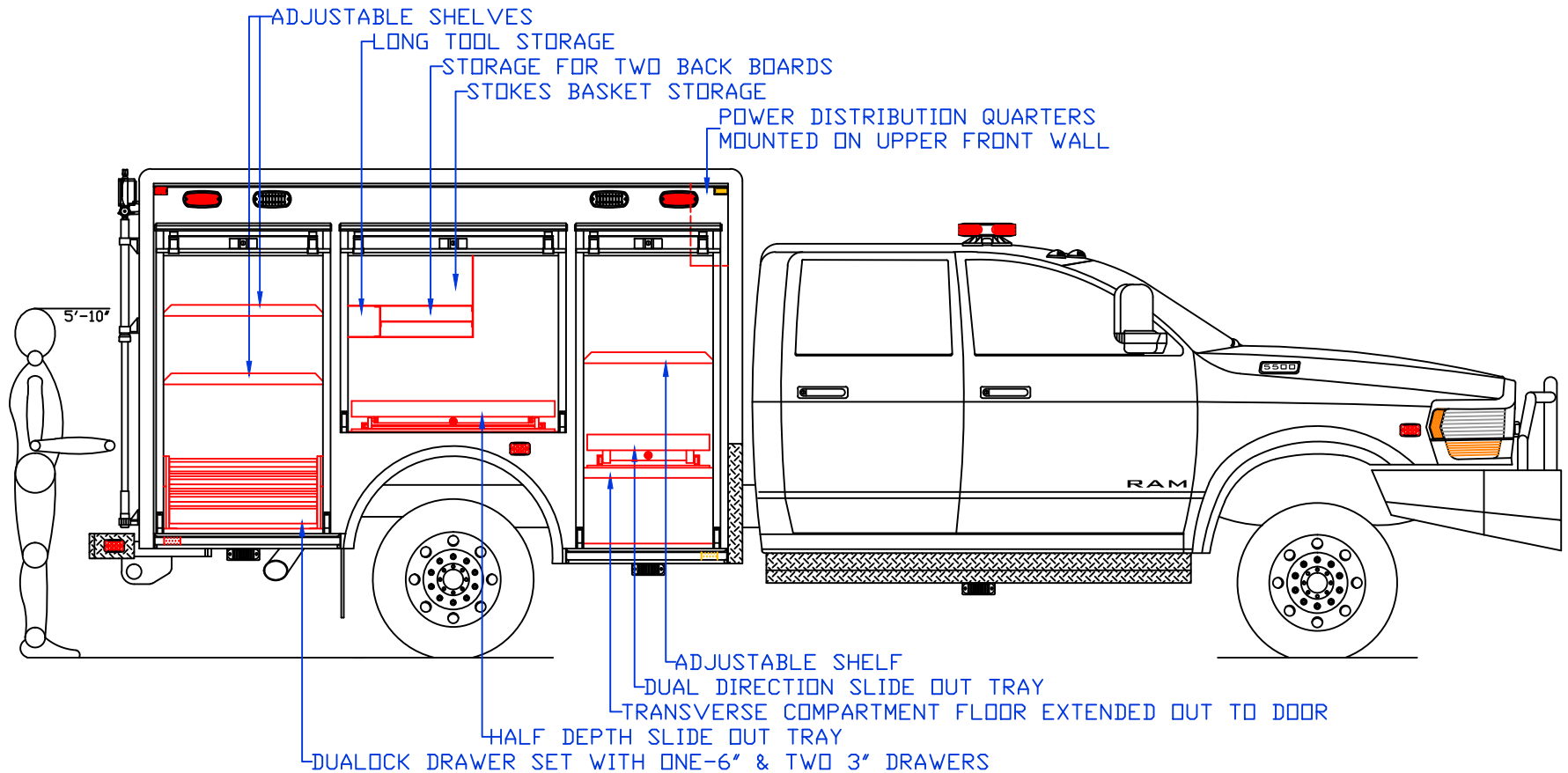
1250 SCHWEIZER ROAD PHONE (607) 796-0149  
 HORSEHEADS, NY 14845 FAX (607) 739-7092

**CUSTOMER APPROVED BY:**

VEHICLE TYPE: RESCUE	CHASSIS: RAM 5500 CREW CAB 4X4
VIEW: STREETSIDE COMPARTMENT LAYOUT	BODY MAT'L: ALUMINUM
SCALE: NTS	BODY LENGTH: 121"
DRAWN BY: NRW	APPROVED BY:
DATE: 11/15/2021	BODY STYLE:
DWG NO.: LAKESIDEFD	REVISION:

LAKESIDE FIRE DEPARTMENT 10' SQUAD

NOTE: ALL DIMENSIONS ARE APPROXIMATE



**WARD APPARATUS**  
 1250 SCHWEIZER ROAD    PHONE (607) 796-0149  
 HORSEHEADS, NY 14845    FAX (607) 739-7092

**CUSTOMER APPROVED BY:**

VEHICLE TYPE: RESCUE	CHASSIS: RAM 5500 CREW CAB 4X4
VIEW: CURBSIDE COMPARTMENT LAYOUT	BODY MAT'L: ALUMINUM
SCALE: NTS	BODY LENGTH: 121"
DRAWN BY: NRW	APPROVED BY:
DATE: 11/15/2021	BODY STYLE:
DWG NO.: LAKESIDEFD	REVISION:

LAKESIDE FIRE DEPARTMENT 10' SQUAD

NOTE: ALL DIMENSIONS ARE APPROXIMATE