

WARD APPARATUS

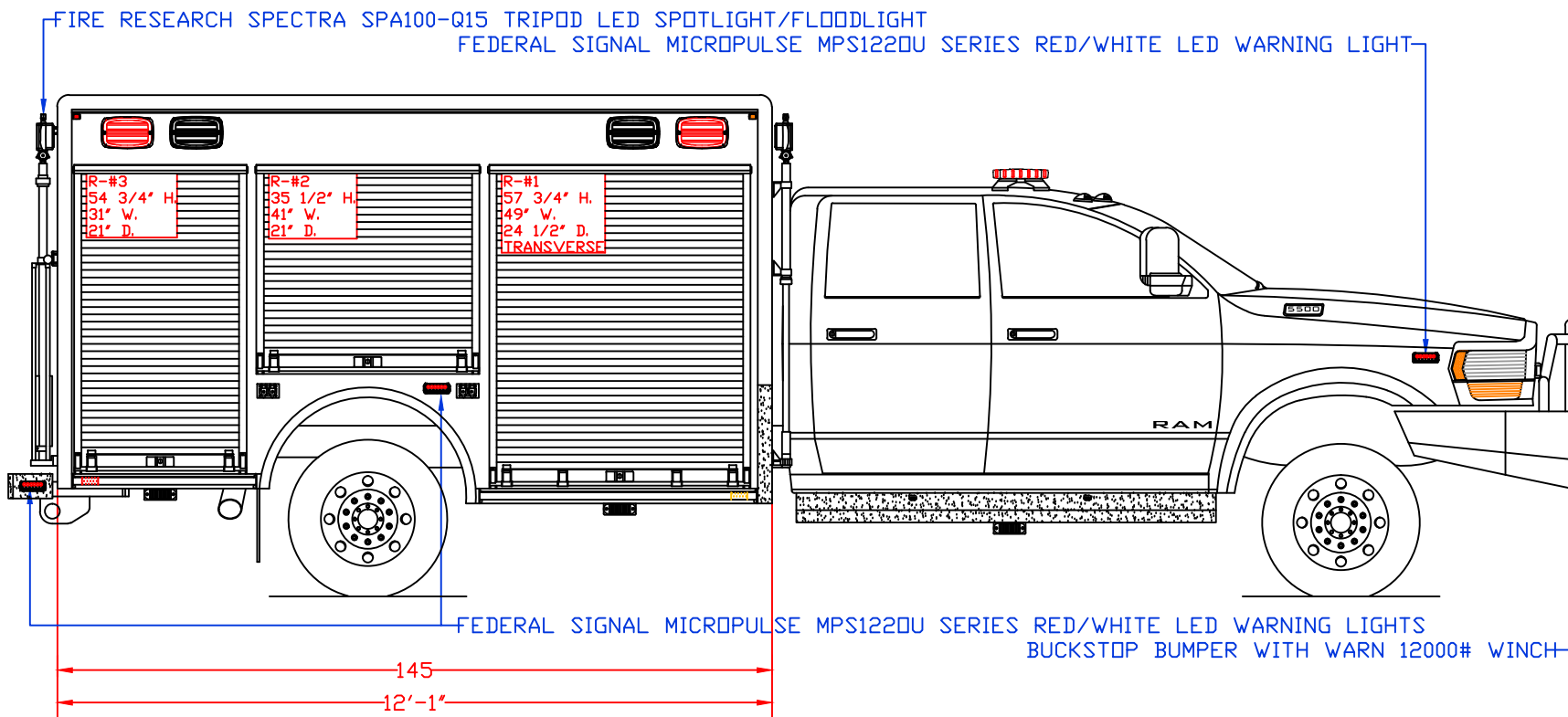
1250 SCHWEIZER ROAD PHONE (607) 796-0149
 HORSEHEADS, NY 14845 FAX (607) 739-7092

WEST SENECA FIRE DEPARTMENT

CUSTOMER APPROVED BY:

VEHICLE TYPE: RESCUE	CHASSIS: RAM 5500 CREW CAB 4X4
VIEW: STREETSIDE	BODY MAT'L: ALUMINUM
SCALE: NTS	BODY LENGTH: 145"
DRAWN BY: NRW	APPROVED BY:
DATE: 6/29/2022	BODY STYLE:
DWG NO.: WESTSENECAFD	REVISION:

NOTE: ALL DIMENSIONS ARE APPROXIMATE



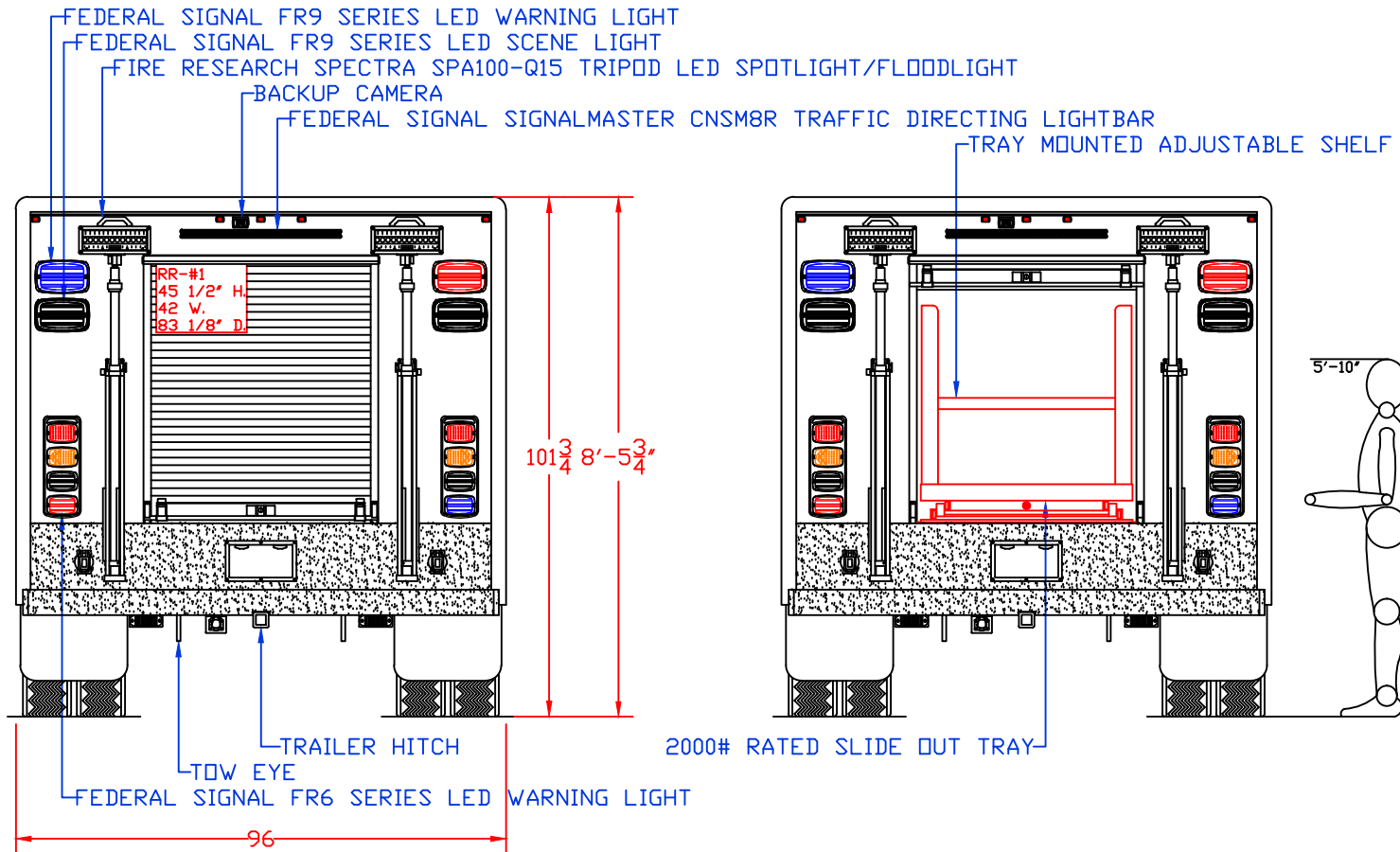
WARD APPARATUS
 1250 SCHWEIZER ROAD PHONE (607) 796-0149
 HORSEHEADS, NY 14845 FAX (607) 739-7092

CUSTOMER APPROVED BY:

VEHICLE TYPE: RESCUE	CHASSIS: RAM 5500 CREW CAB 4X4
VIEW: CURBSIDE	BODY MAT'L: ALUMINUM
SCALE: NTS	BODY LENGTH: 145"
DRAWN BY: NRW	APPROVED BY:
DATE: 6/29/2022	BODY STYLE:
DWG NO.: WESTSENECAFD	REVISION:

WEST SENECA FIRE DEPARTMENT

NOTE: ALL DIMENSIONS ARE APPROXIMATE



WARD APPARATUS

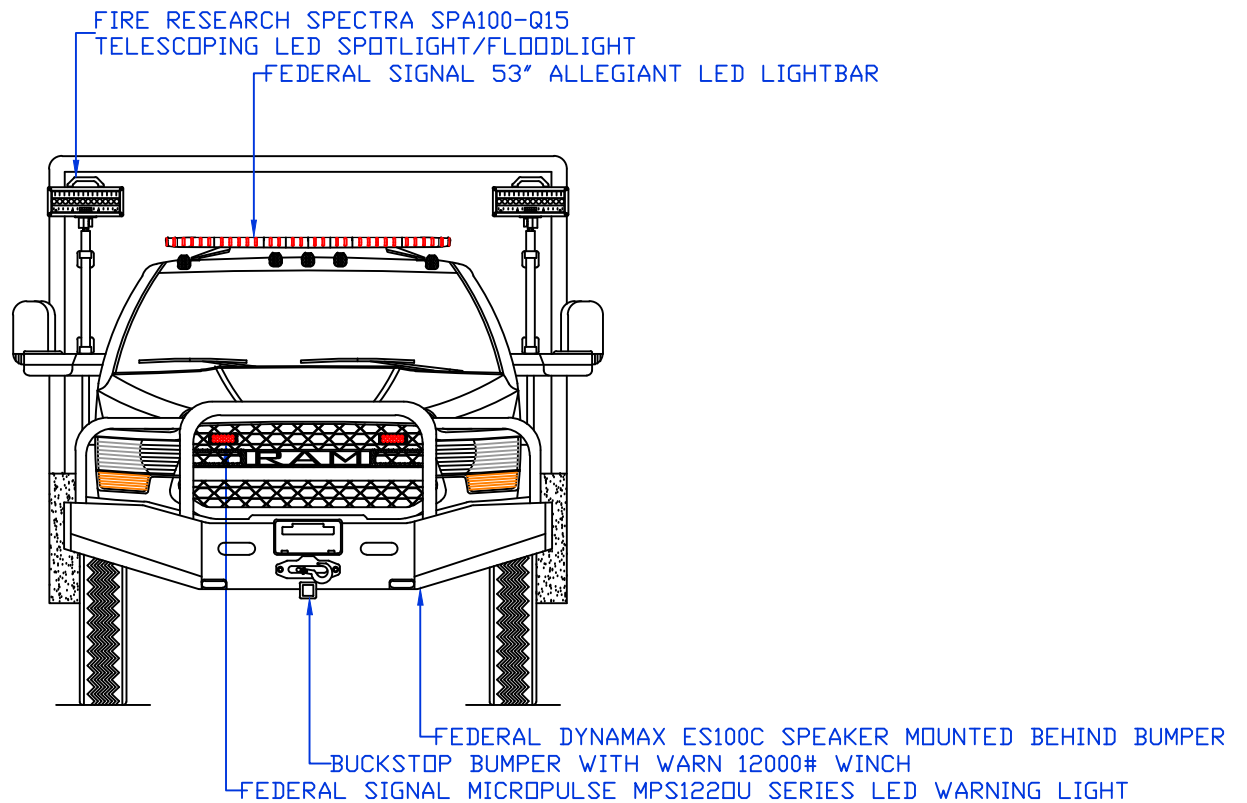
1250 SCHWEIZER ROAD PHONE (607) 796-0149
 HORSEHEADS, NY 14845 FAX (607) 739-7092

WEST SENECA FIRE DEPARTMENT

CUSTOMER APPROVED BY:

VEHICLE TYPE: RESCUE	CHASSIS: RAM 5500 CREW CAB 4X4
VIEW: REAR & REAR COMPARTMENT LAYOUT	BODY MAT'L: ALUMINUM
SCALE: NTS	BODY LENGTH: 145"
DRAWN BY: NRW	APPROVED BY:
DATE: 6/29/2022	BODY STYLE:
DWG NO.: WESTSENECAFD	REVISION:

NOTE: ALL DIMENSIONS ARE APPROXIMATE



WARD APPARATUS

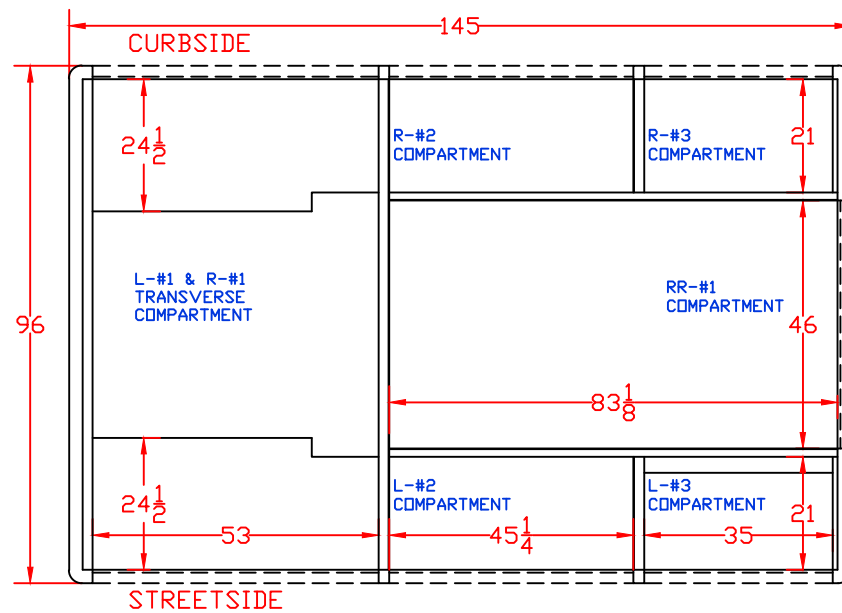
1250 SCHWEIZER ROAD PHONE (607) 796-0149
 HORSEHEADS, NY 14845 FAX (607) 739-7092

CUSTOMER APPROVED BY:

VEHICLE TYPE: RESCUE	CHASSIS: RAM 5500 CREW CAB 4X4
VIEW: FRONT	BODY MAT'L: ALUMINUM
SCALE: NTS	BODY LENGTH: 145"
DRAWN BY: NRW	APPROVED BY:
DATE: 6/29/2022	BODY STYLE:
DWG NO.: WESTSENECAFD	REVISION:

WEST SENECA FIRE DEPARTMENT

NOTE: ALL DIMENSIONS ARE APPROXIMATE



WARD APPARATUS

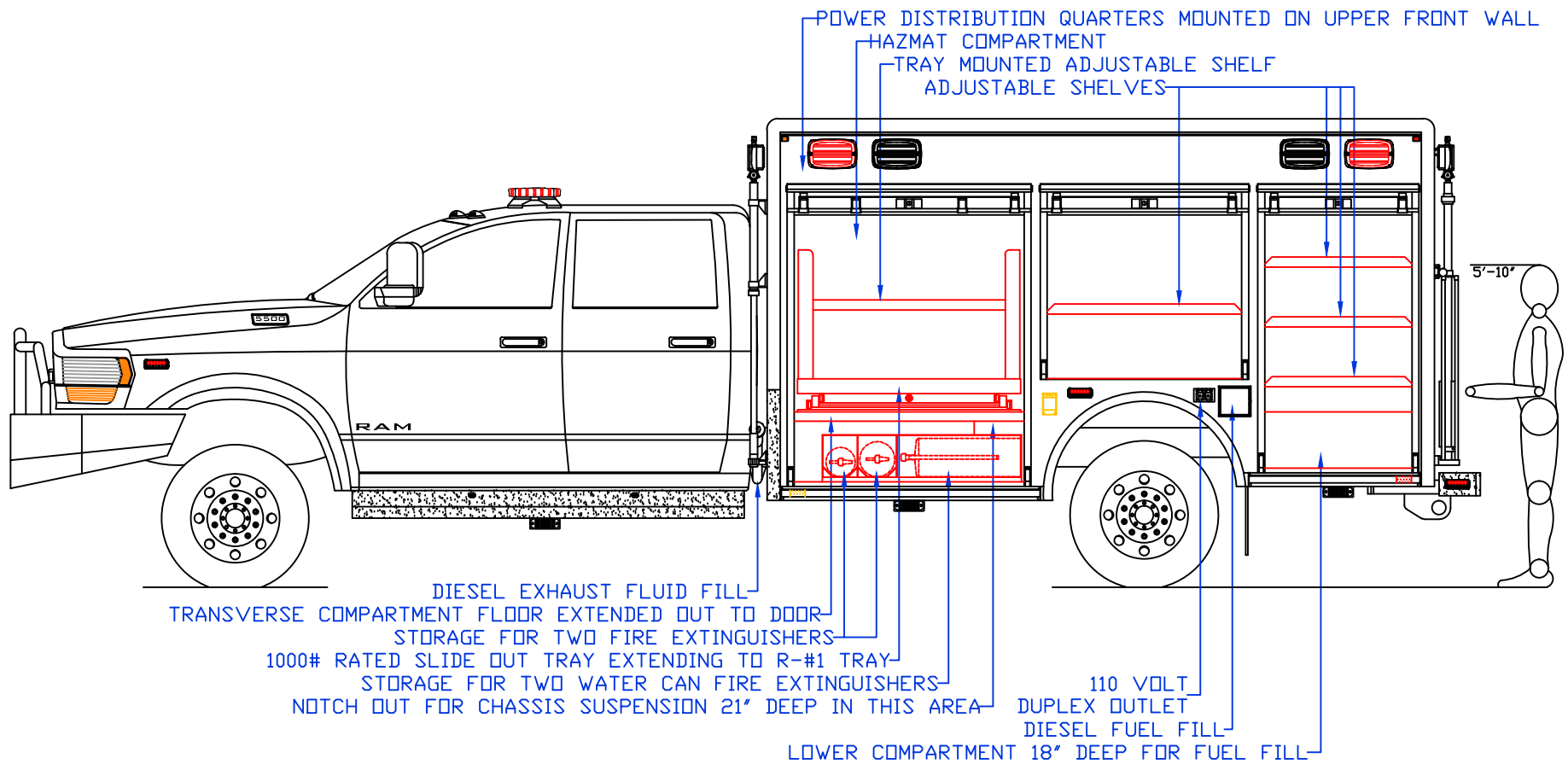
1250 SCHWEIZER ROAD PHONE (607) 796-0149
 HORSEHEADS, NY 14845 FAX (607) 739-7092

WEST SENECA FIRE DEPARTMENT

CUSTOMER APPROVED BY:

VEHICLE TYPE: RESCUE	CHASSIS: RAM 5500 CREW CAB 4X4
VIEW: TOP	BODY MAT'L: ALUMINUM
SCALE: NTS	BODY LENGTH: 145"
DRAWN BY: NRW	APPROVED BY:
DATE: 6/29/2022	BODY STYLE:
DWG NO.: WESTSENECAFD	REVISION:

NOTE: ALL DIMENSIONS ARE APPROXIMATE



WARD APPARATUS

1250 SCHWEIZER ROAD PHONE (607) 796-0149
 HORSEHEADS, NY 14845 FAX (607) 739-7092

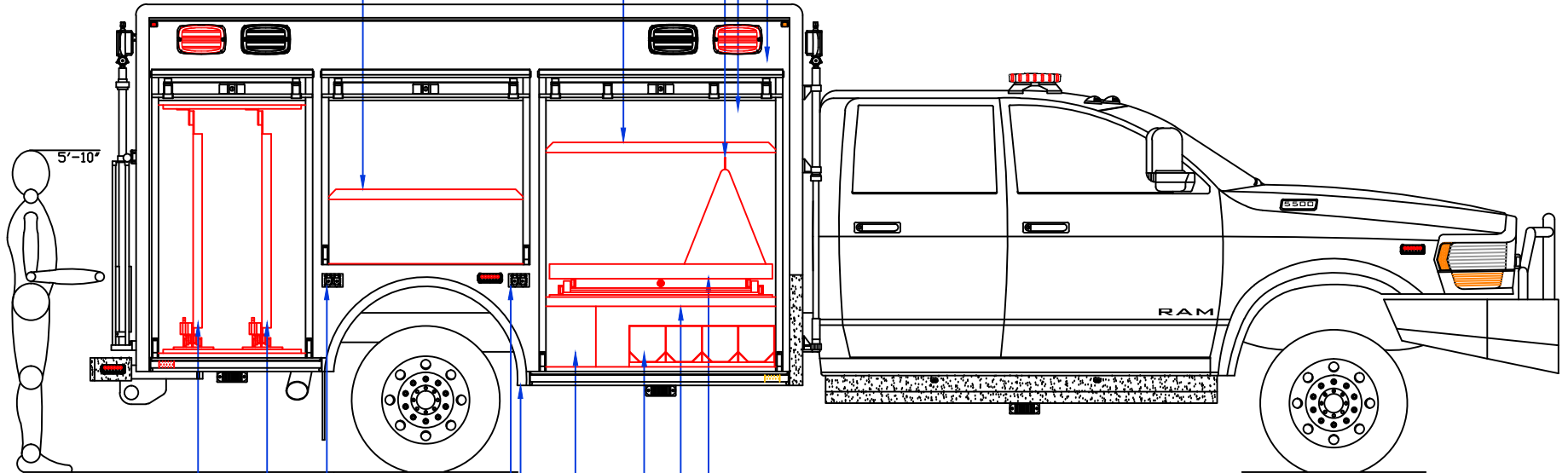
WEST SENECA FIRE DEPARTMENT

CUSTOMER APPROVED BY:

VEHICLE TYPE: RESCUE	CHASSIS: RAM 5500 CREW CAB 4X4
VIEW: STREETSIDE COMPARTMENT LAYOUT	BODY MAT'L: ALUMINUM
SCALE: NTS	BODY LENGTH: 145"
DRAWN BY: NRW	APPROVED BY:
DATE: 6/29/2022	BODY STYLE:
DWG NO.: WESTSENECAFD	REVISION:

NOTE: ALL DIMENSIONS ARE APPROXIMATE

POWER DISTRIBUTION QUARTERS MOUNTED ON UPPER FRONT WALL
 EMS/DECON & REHAB COMPARTMENT
 VERTICAL DIVIDER 26" HIGH & 10" FROM FRONT OF TRAY
 ADJUSTABLE SHELVES



1000# RATED SLIDE OUT TRAY
 TRANSVERSE COMPARTMENT FLOOR EXTENDED OUT TO DOOR
 STORAGE FOR FOUR SCBA BOTTLES
 NOTCH OUT FOR CHASSIS SUSPENSION 21" DEEP IN THIS AREA
 RUBBER FENDERETTES & BOLT IN WHEEL LINERS
 110 VOLT DUPLEX OUTLET
 ADJUSTABLE SLIDE OUT TOOL BOARDS



WARD APPARATUS
 1250 SCHWEIZER ROAD PHONE (607) 796-0149
 HORSEHEADS, NY 14845 FAX (607) 739-7092

CUSTOMER APPROVED BY:

VEHICLE TYPE: RESCUE	CHASSIS: RAM 5500 CREW CAB 4X4
VIEW: CURBSIDE COMPARTMENT LAYOUT	BODY MAT'L: ALUMINUM
SCALE: NTS	BODY LENGTH: 145"
DRAWN BY: NRW	APPROVED BY:
DATE: 6/29/2022	BODY STYLE:
DWG NO.: WESTSENECAF0	REVISION:

WEST SENECA FIRE DEPARTMENT

NOTE: ALL DIMENSIONS ARE APPROXIMATE