

Maintainer Custom Bodies, Inc.
 909 So. East St. 800-843-4288 Toll Free
 Rock Rapids, Ia. 51246 712-472-4725 Phone

CUSTOMER APPROVED BY:	
VEHICLE TYPE: HEAVY RESCUE	CHASSIS: INT'L 4400 CREW CAB
VIEW: STREETSIDE	BODY MAT'L: ALUMINUM
SCALE: NTS	BODY LENGTH: 219 1/2"
DRAWN BY: NRW	APPROVED BY:
DATE: 8/23/2012	BODY STYLE:
DWG NO.: JACKSONFOREST	REVISION:

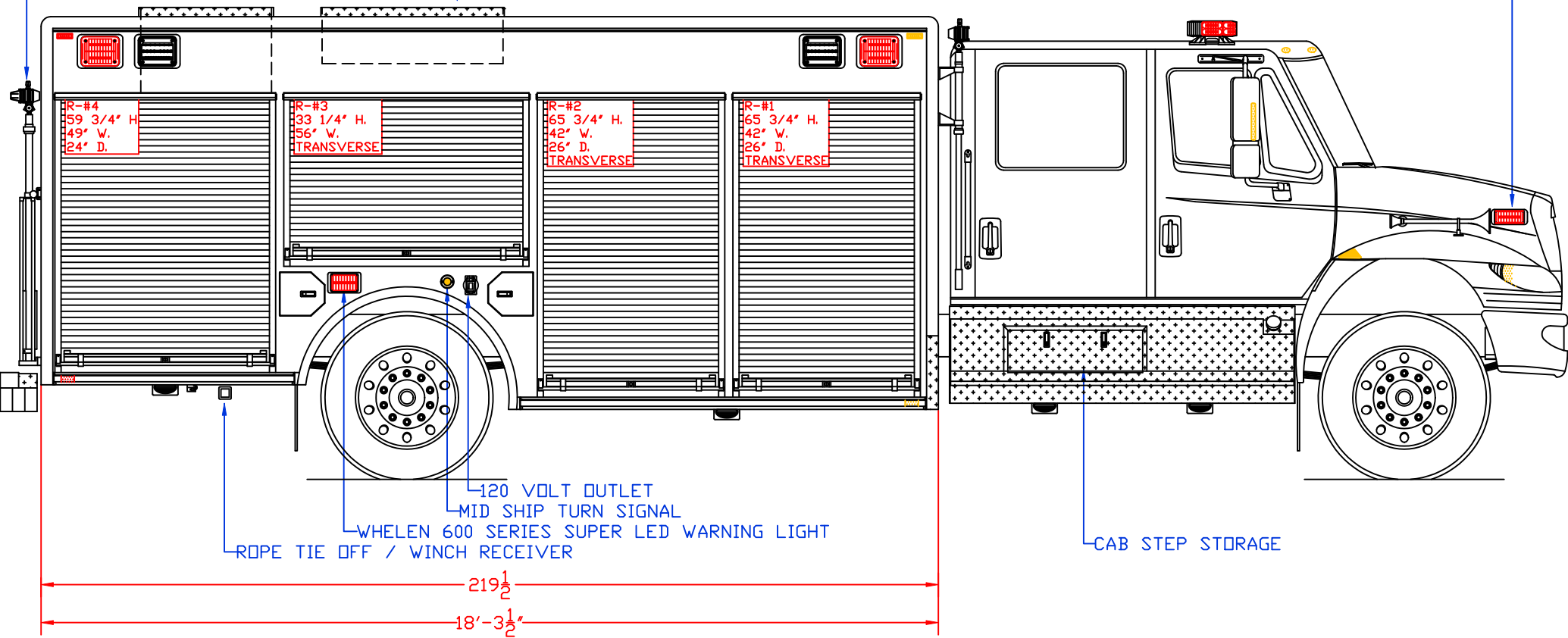
PROPOSAL FOR: JACKSON TOWNSHIP - FOREST, OHIO

FIRE RESEARCH FOCUS 1000 WATT TRIPPOD QUARTZ LIGHT

REMOVABLE LID TO ACCESS AIR COMPRESSOR

STORAGE FOR FOUR CUSTOMER SUPPLIED CASCADE CYLINDERS

WHELEN 700 SERIES SUPER LED WARNING LIGHT



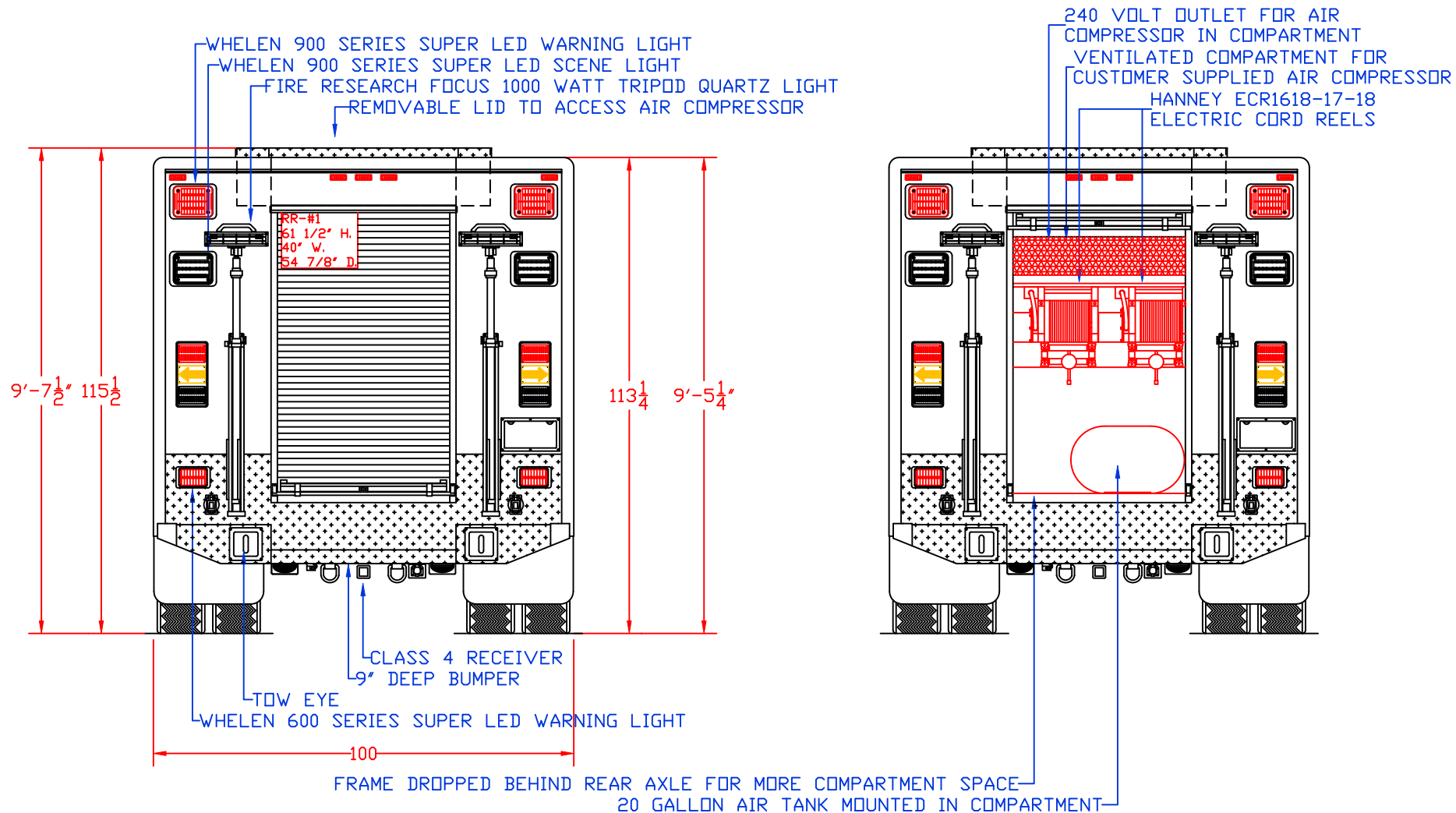
Maintainer Custom Bodies, Inc.

909 So. East St. 800-843-4288 Toll Free
Rock Rapids, Ia. 51246 712-472-4725 Phone

CUSTOMER APPROVED BY:

VEHICLE TYPE: HEAVY RESCUE	CHASSIS: INT'L 4400 CREW CAB
VIEW: CURBSIDE	BODY MAT'L: ALUMINUM
SCALE: NTS	BODY LENGTH: 219 1/2"
DRAWN BY: NRW	APPROVED BY:
DATE: 8/23/2012	BODY STYLE:
DWG NO.: JACKSONFOREST	REVISION:

PROPOSAL FOR: JACKSON TOWNSHIP - FOREST, OHIO



Maintainer Custom Bodies, Inc.

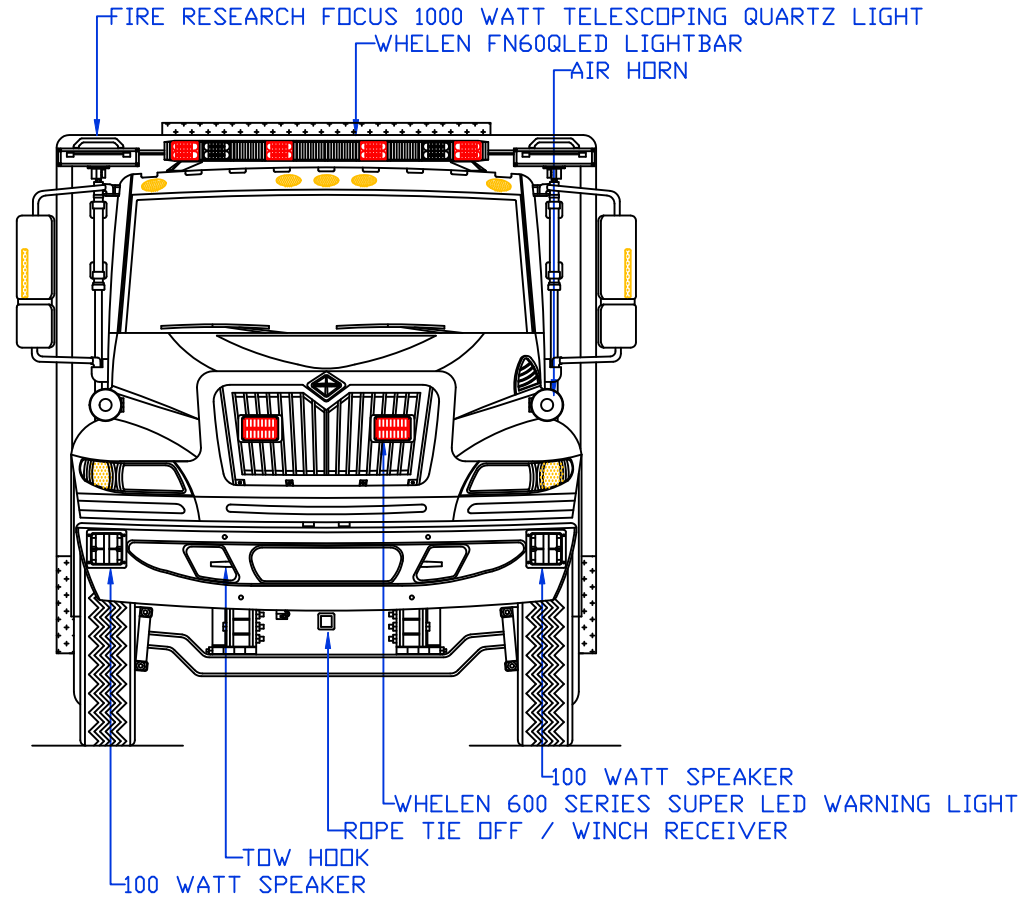
909 So. East St.
Rock Rapids, Ia. 51246

800-843-4288 Toll Free
712-472-4725 Phone

PROPOSAL FOR: JACKSON TOWNSHIP - FOREST, OHIO

CUSTOMER APPROVED BY:

VEHICLE TYPE: HEAVY RESCUE	CHASSIS: INT'L 4400 CREW CAB
VIEW: REAR & REAR COMPARTMENT LAYOUT	BODY MAT'L: ALUMINUM
SCALE: NTS	BODY LENGTH: 219 1/2"
DRAWN BY: NRW	APPROVED BY:
DATE: 8/23/2012	BODY STYLE:
DWG NO.: JACKSONFOREST	REVISION:



Maintainer Custom Bodies, Inc.

909 So. East St.
Rock Rapids, Ia. 51246

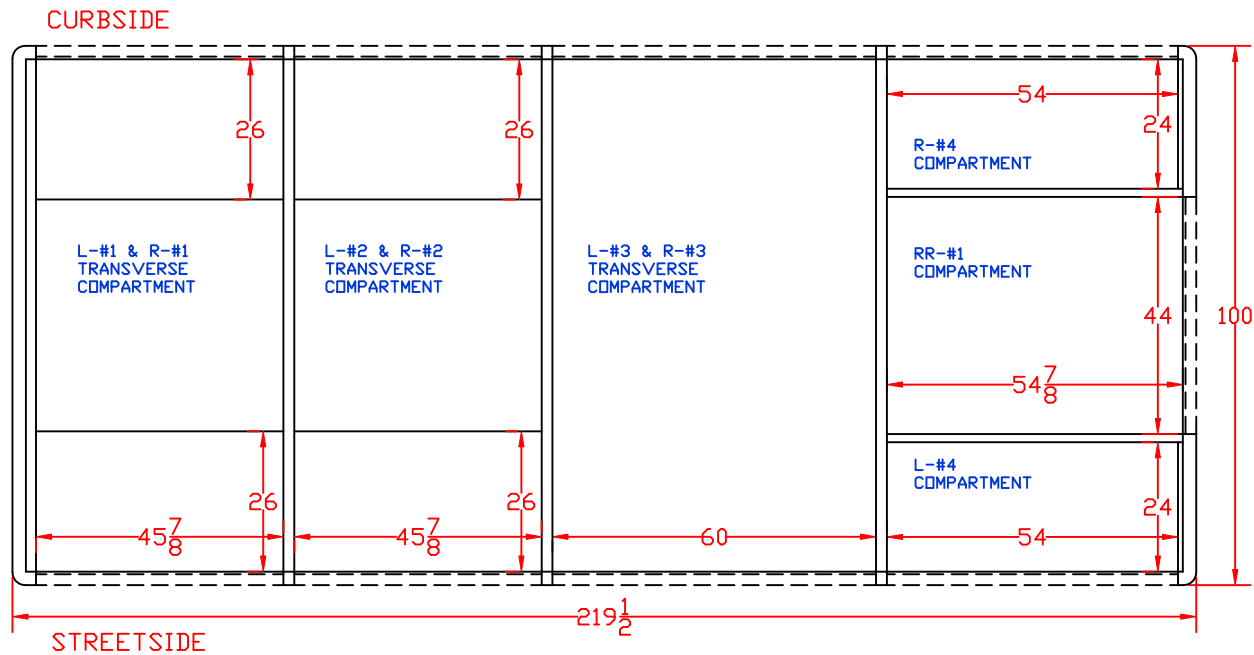
800-843-4288 Toll Free
712-472-4725 Phone

CUSTOMER APPROVED BY:

VEHICLE TYPE: HEAVY RESCUE
 VIEW: FRONT
 SCALE: NTS
 DRAWN BY: NRW
 DATE: 8/23/2012
 DWG NO.: JACKSONFOREST

CHASSIS: INT'L 4400 CREW CAB
 BODY MAT'L: ALUMINUM
 BODY LENGTH: 219 1/2"
 APPROVED BY:
 BODY STYLE:
 REVISION:

PROPOSAL FOR: JACKSON TOWNSHIP - FOREST, OHIO



Maintainer Custom Bodies, Inc.

909 So. East St.
Rock Rapids, Ia. 51246

800-843-4288 Toll Free
712-472-4725 Phone

CUSTOMER APPROVED BY:

VEHICLE TYPE: HEAVY RESCUE

VIEW: TOP

SCALE: NTS

DRAWN BY: NRW

DATE: 8/23/2012

DWG NO.: JACKSONFOREST

CHASSIS: INT'L 4400 CREW CAB

BODY MAT'L: ALUMINUM

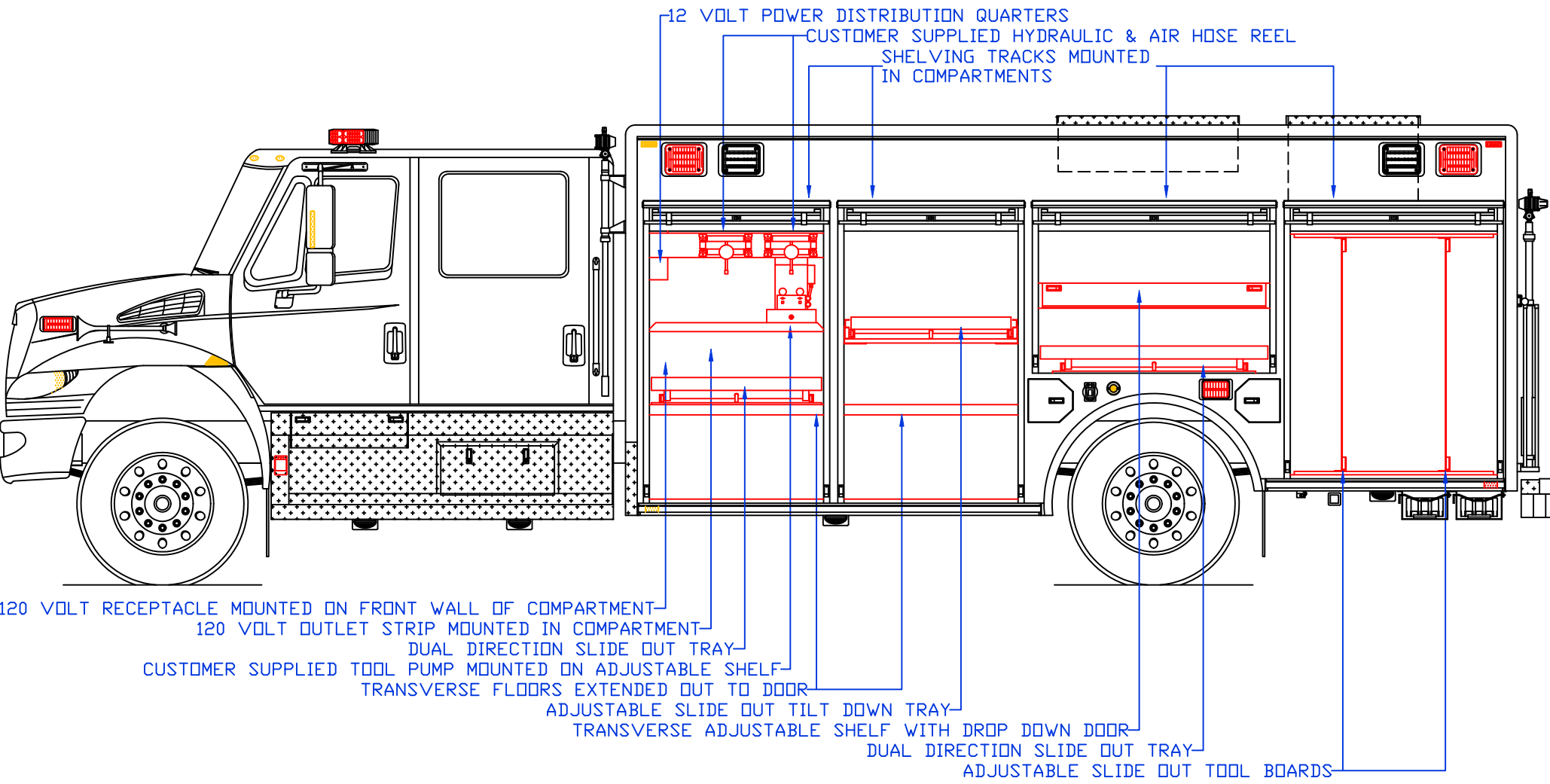
BODY LENGTH: 219 1/2"

APPROVED BY:

BODY STYLE:

REVISION:

PROPOSAL FOR: JACKSON TOWNSHIP - FOREST, OHIO

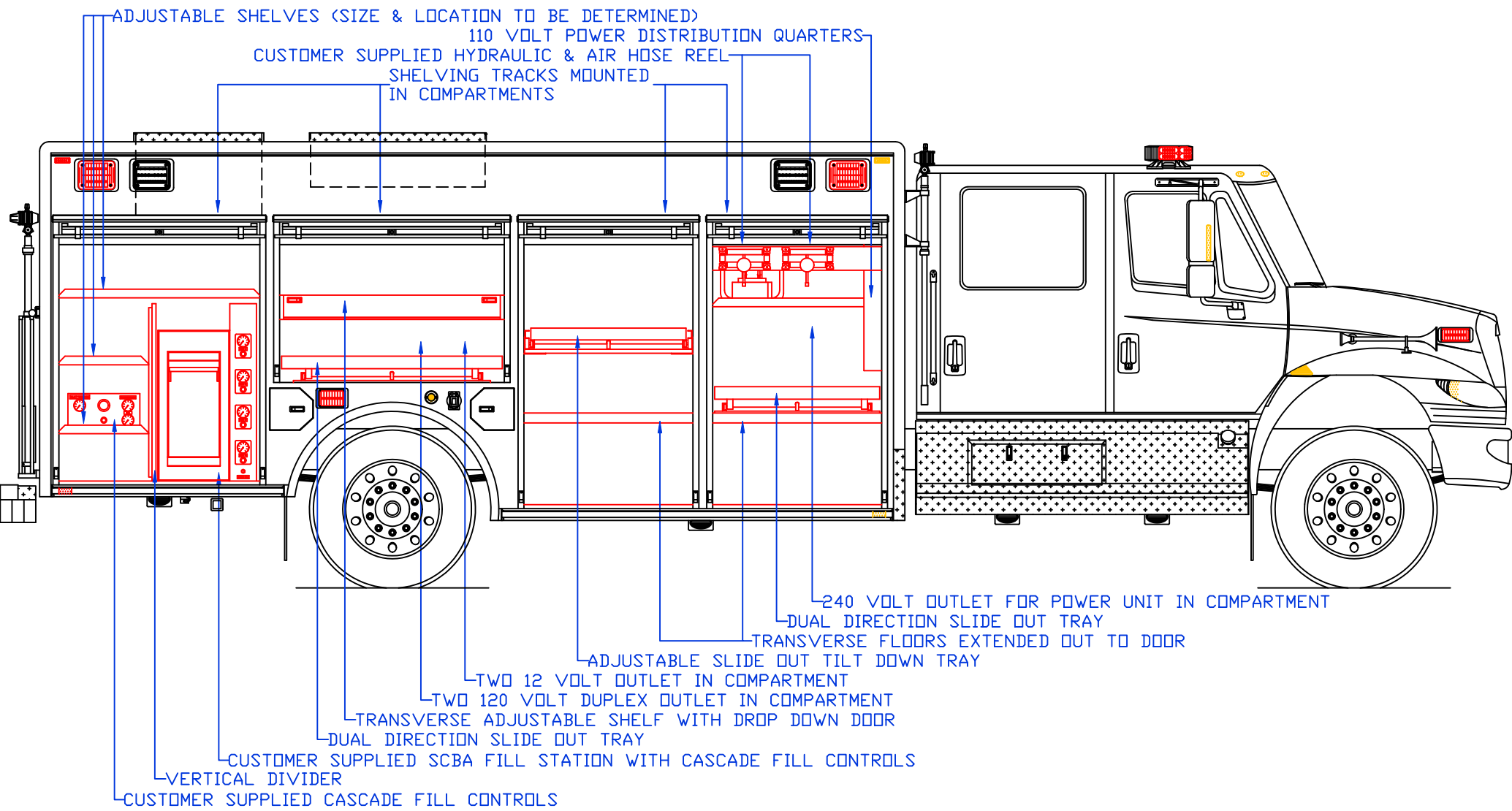


Maintainer Custom Bodies, Inc.
 909 So. East St. 800-843-4288 Toll Free
 Rock Rapids, Ia. 51246 712-472-4725 Phone

CUSTOMER APPROVED BY:

VEHICLE TYPE: HEAVY RESCUE	CHASSIS: INT'L 4400 CREW CAB
VIEW: STREETSIDE COMPARTMENT LAYOUT	BODY MAT'L: ALUMINUM
SCALE: NTS	BODY LENGTH: 219 1/2"
DRAWN BY: NRW	APPROVED BY:
DATE: 8/23/2012	BODY STYLE:
DWG NO.: JACKSONFOREST	REVISION:

PROPOSAL FOR: JACKSON TOWNSHIP - FOREST, OHIO



CUSTOMER APPROVED BY:

VEHICLE TYPE: HEAVY RESCUE	CHASSIS: INT'L 4400 CREW CAB
VIEW: CURBSIDE COMPARTMENT LAYOUT	BODY MAT'L: ALUMINUM
SCALE: NTS	BODY LENGTH: 219 1/2"
DRAWN BY: NRW	APPROVED BY:
DATE: 8/23/2012	BODY STYLE:
DWG NO.: JACKSONFOREST	REVISION:

Maintainer Custom Bodies, Inc.

909 So. East St. 800-843-4288 Toll Free
 Rock Rapids, Ia. 51246 712-472-4725 Phone

PROPOSAL FOR: JACKSON TOWNSHIP - FOREST, OHIO