

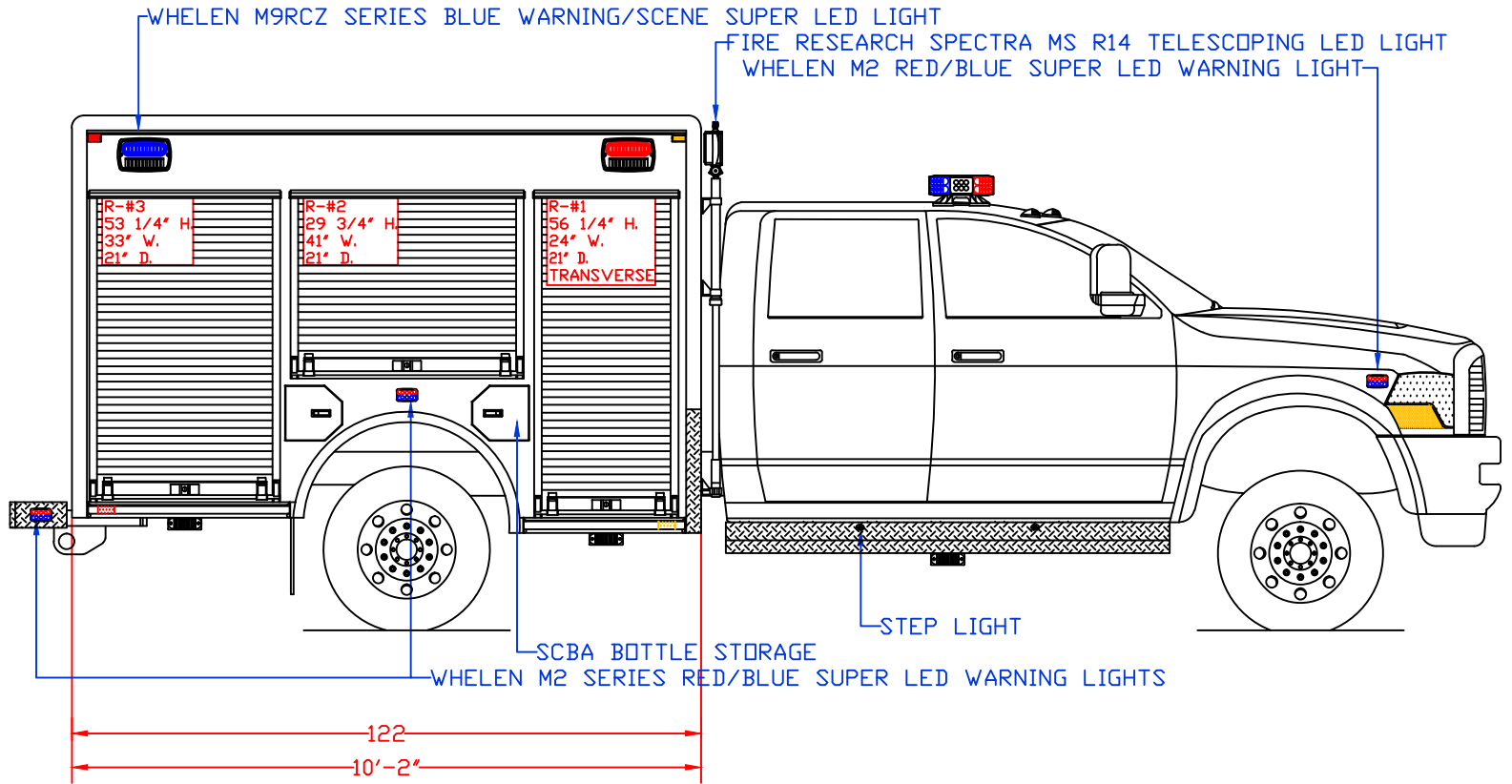
Maintainer *Custom Bodies, Inc.*
 909 South East Street (800) 843-4288 Toll Free
 Rock Rapids, IA 51246 (712) 472-4725

mcbfire.com

CUSTOMER APPROVED BY:		PAINT CODE:
VEHICLE TYPE: QUICK ATTACK	CHASSIS: RAM 5500 CREW CAB 4X4	BODY MAT'L: ALUMINUM
VIEW: STREETSIDE	BODY LENGTH: 122"	APPROVED BY:
SCALE: NTS	BODY STYLE:	REVISION:
DRAWN BY: NRW	DATE: 12/26/2017	
DWG NO.: JACKSONCOFD		

PROPOSAL FOR: JACKSON COUNTY FIRE DISTRICT #4

NOTE: ALL DIMENSIONS ARE APPROXIMATE

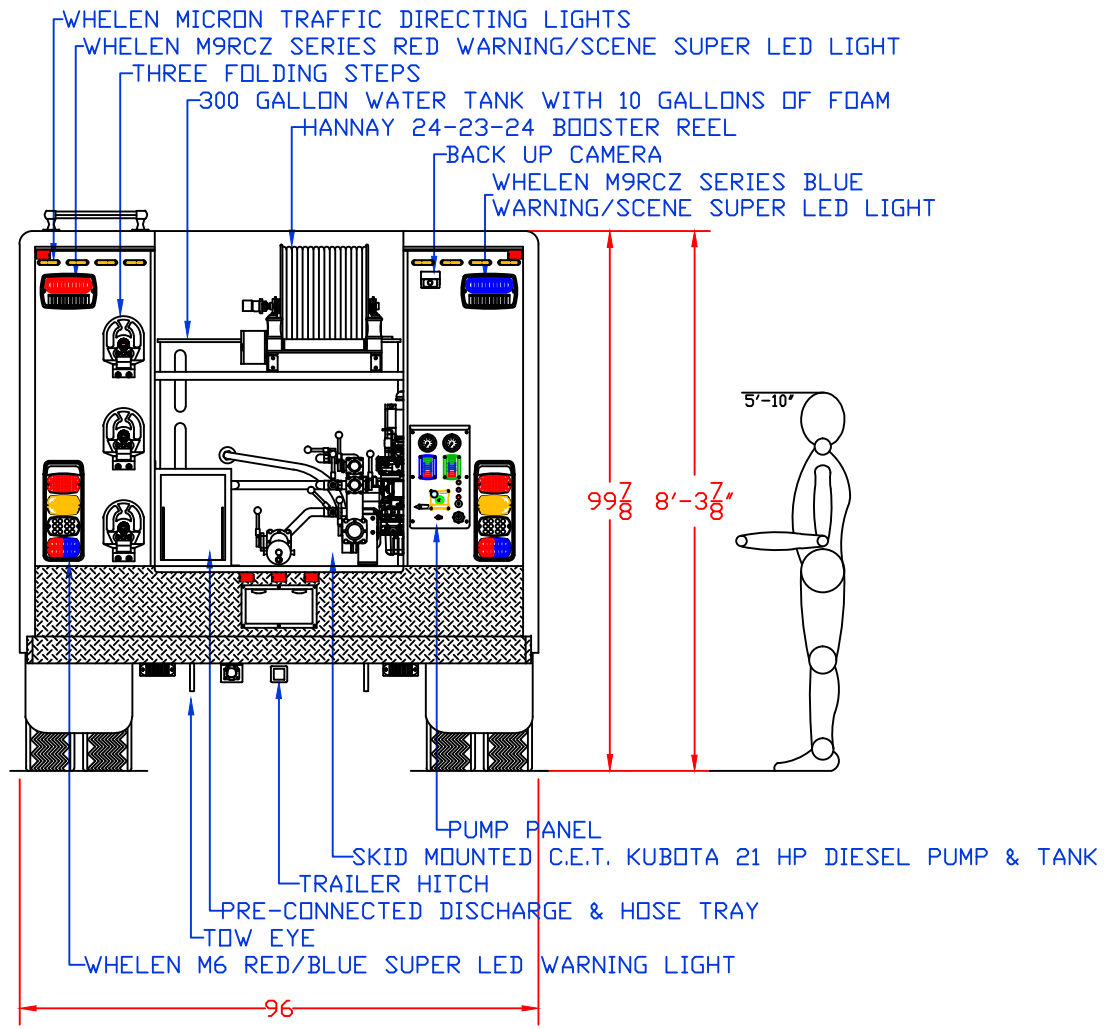


Maintainer *mcbfire.com*
Custom Bodies, Inc.
 909 South East Street (800) 843-4288 Toll Free
 Rock Rapids, IA 51246 (712) 472-4725

CUSTOMER APPROVED BY:	PAINT CODE:
VEHICLE TYPE: QUICK ATTACK	CHASSIS: RAM 5500 CREW CAB 4X4
VIEW: CURBSIDE	BODY MAT'L: ALUMINUM
SCALE: NTS	BODY LENGTH: 122"
DRAWN BY: NRW	APPROVED BY:
DATE: 12/26/2017	BODY STYLE:
DWG NO.: JACKSONCOFD	REVISION:

PROPOSAL FOR: JACKSON COUNTY FIRE DISTRICT #4

NOTE: ALL DIMENSIONS ARE APPROXIMATE

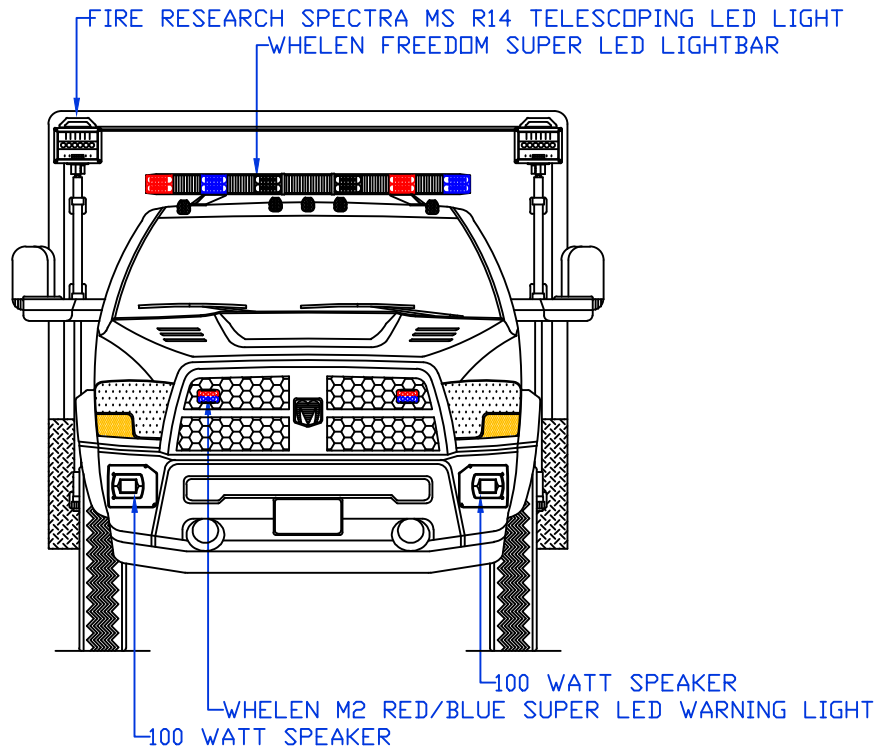


Maintainer Custom Bodies, Inc. mcbfire.com
 909 South East Street (800) 843-4288 Toll Free
 Rock Rapids, IA 51246 (712) 472-4725

CUSTOMER APPROVED BY:		PAINT CODE:
VEHICLE TYPE: QUICK ATTACK	CHASSIS: RAM 5500 CREW CAB 4X4	
VIEW: REAR	BODY MAT'L: ALUMINUM	
SCALE: NTS	BODY LENGTH: 122"	
DRAWN BY: NRW	APPROVED BY:	
DATE: 12/26/2017	BODY STYLE:	
DWG NO.: JACKSONCOFD	REVISION:	

PROPOSAL FOR: JACKSON COUNTY FIRE DISTRICT #4

NOTE: ALL DIMENSIONS ARE APPROXIMATE



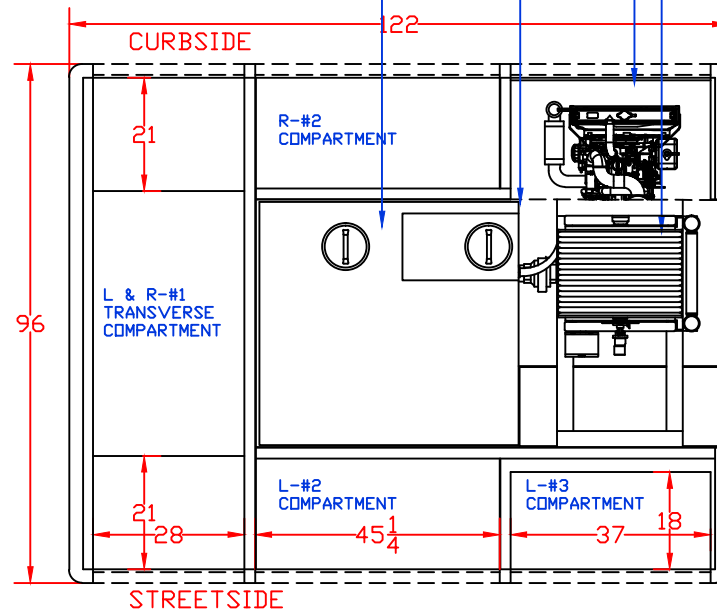
Maintainer Custom Bodies, Inc. mcbfire.com
 909 South East Street (800) 843-4288 Toll Free
 Rock Rapids, IA 51246 (712) 472-4725

CUSTOMER APPROVED BY:		PAINT CODE:
VEHICLE TYPE: QUICK ATTACK	CHASSIS: RAM 5500 CREW CAB 4X4	
VIEW: FRONT	BODY MAT'L: ALUMINUM	
SCALE: NTS	BODY LENGTH: 122"	
DRAWN BY: NRW	APPROVED BY:	
DATE: 12/26/2017	BODY STYLE:	
DWG NO.: JACKSONCOFD	REVISION:	

PROPOSAL FOR: JACKSON COUNTY FIRE DISTRICT #4

NOTE: ALL DIMENSIONS ARE APPROXIMATE

HANNAY 24-23-24RT BOOSTER REEL
 DIESEL PUMP MOUNTED IN COMPARTMENT
 SKID MOUNTED C.E.T. KUBOTA 21 HP DIESEL PUMP & TANK
 300 GALLON WATER TANK WITH 10 GALLONS OF FOAM

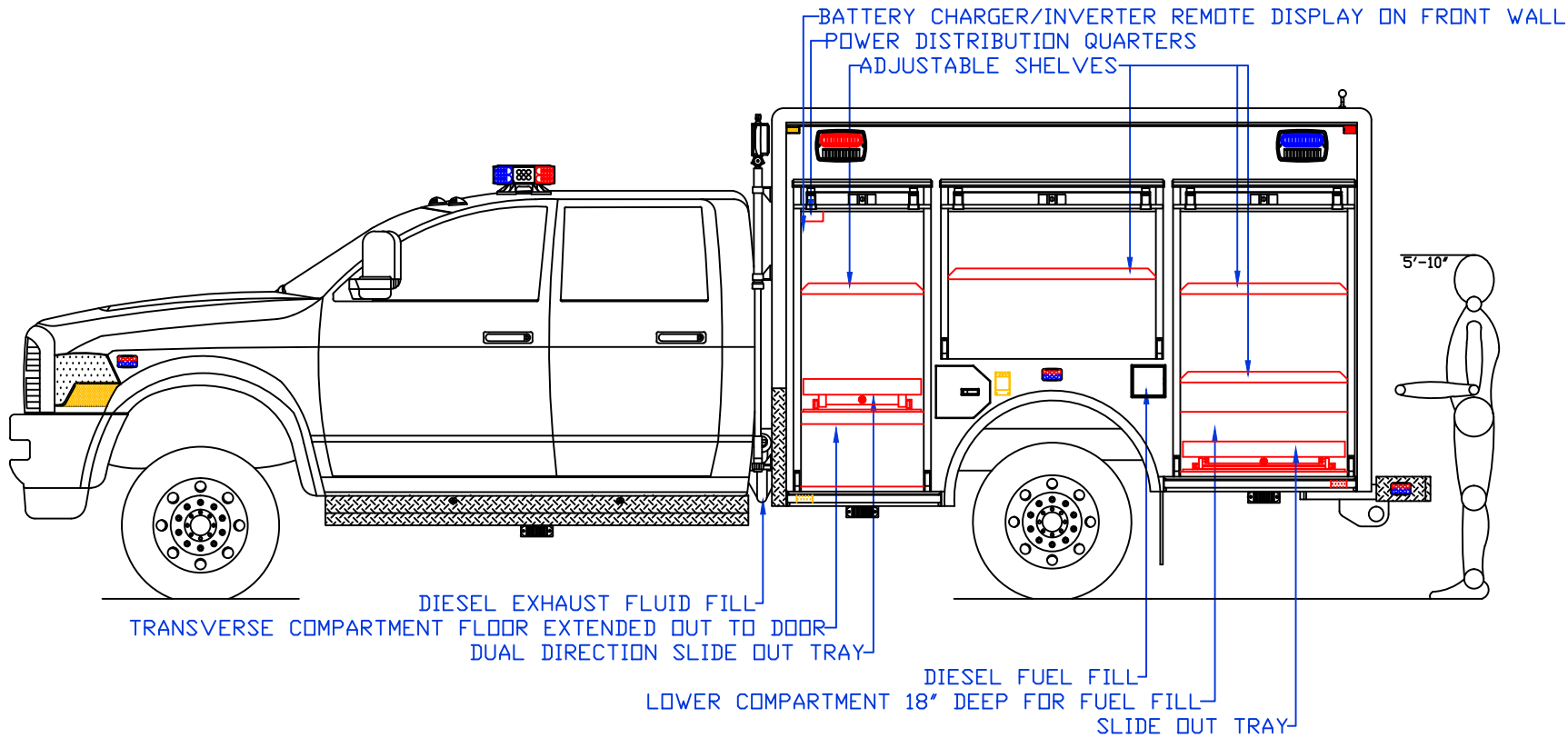


Maintainer Custom Bodies, Inc. mcbfire.com
 909 South East Street (800) 843-4288 Toll Free
 Rock Rapids, IA 51246 (712) 472-4725

PROPOSAL FOR: JACKSON COUNTY FIRE DISTRICT #4

CUSTOMER APPROVED BY:		PAINT CODE:
VEHICLE TYPE: QUICK ATTACK	CHASSIS: RAM 5500 CREW CAB 4X4	
VIEW: TOP	BODY MAT'L: ALUMINUM	
SCALE: NTS	BODY LENGTH: 122"	
DRAWN BY: NRW	APPROVED BY:	
DATE: 12/26/2017	BODY STYLE:	
DWG NO.: JACKSONCOFD	REVISION:	

NOTE: ALL DIMENSIONS ARE APPROXIMATE



Maintainer *Custom Bodies, Inc.*
 909 South East Street (800) 843-4288 Toll Free
 Rock Rapids, IA 51246 (712) 472-4725

mcbfire.com

CUSTOMER APPROVED BY:

PAINT CODE:

VEHICLE TYPE: QUICK ATTACK

CHASSIS: RAM 5500 CREW CAB 4X4

VIEW: STREETSIDE COMPARTMENT LAYOUT

BODY MAT'L: ALUMINUM

SCALE: NTS

BODY LENGTH: 122"

DRAWN BY: NRW

APPROVED BY:

DATE: 12/26/2017

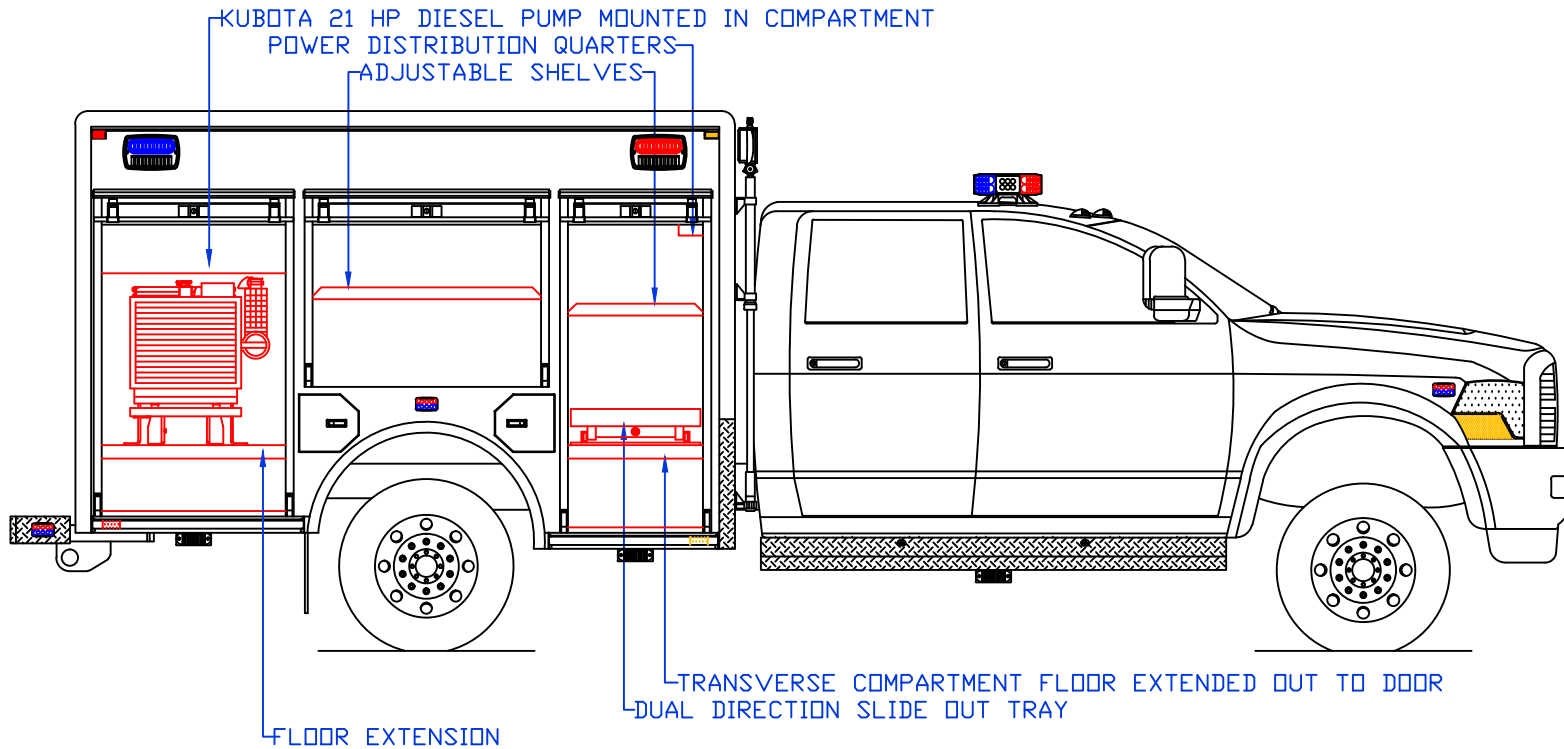
BODY STYLE:

DWG NO.: JACKSONCOFD

REVISION:

PROPOSAL FOR: JACKSON COUNTY FIRE DISTRICT #4

NOTE: ALL DIMENSIONS ARE APPROXIMATE



Maintainer *Custom Bodies, Inc.*
 909 South East Street
 Rock Rapids, IA 51246
 mcbfire.com
 (800) 843-4288 Toll Free
 (712) 472-4725

PROPOSAL FOR: JACKSON COUNTY FIRE DISTRICT #4

CUSTOMER APPROVED BY:		PAINT CODE:	
VEHICLE TYPE: QUICK ATTACK		CHASSIS: RAM 5500 CREW CAB 4X4	
VIEW: CURBSIDE COMPARTMENT LAYOUT		BODY MAT'L: ALUMINUM	
SCALE: NTS		BODY LENGTH: 122"	
DRAWN BY: NRW		APPROVED BY:	
DATE: 12/26/2017		BODY STYLE:	
DWG NO.: JACKSONCOFD		REVISION:	

NOTE: ALL DIMENSIONS ARE APPROXIMATE