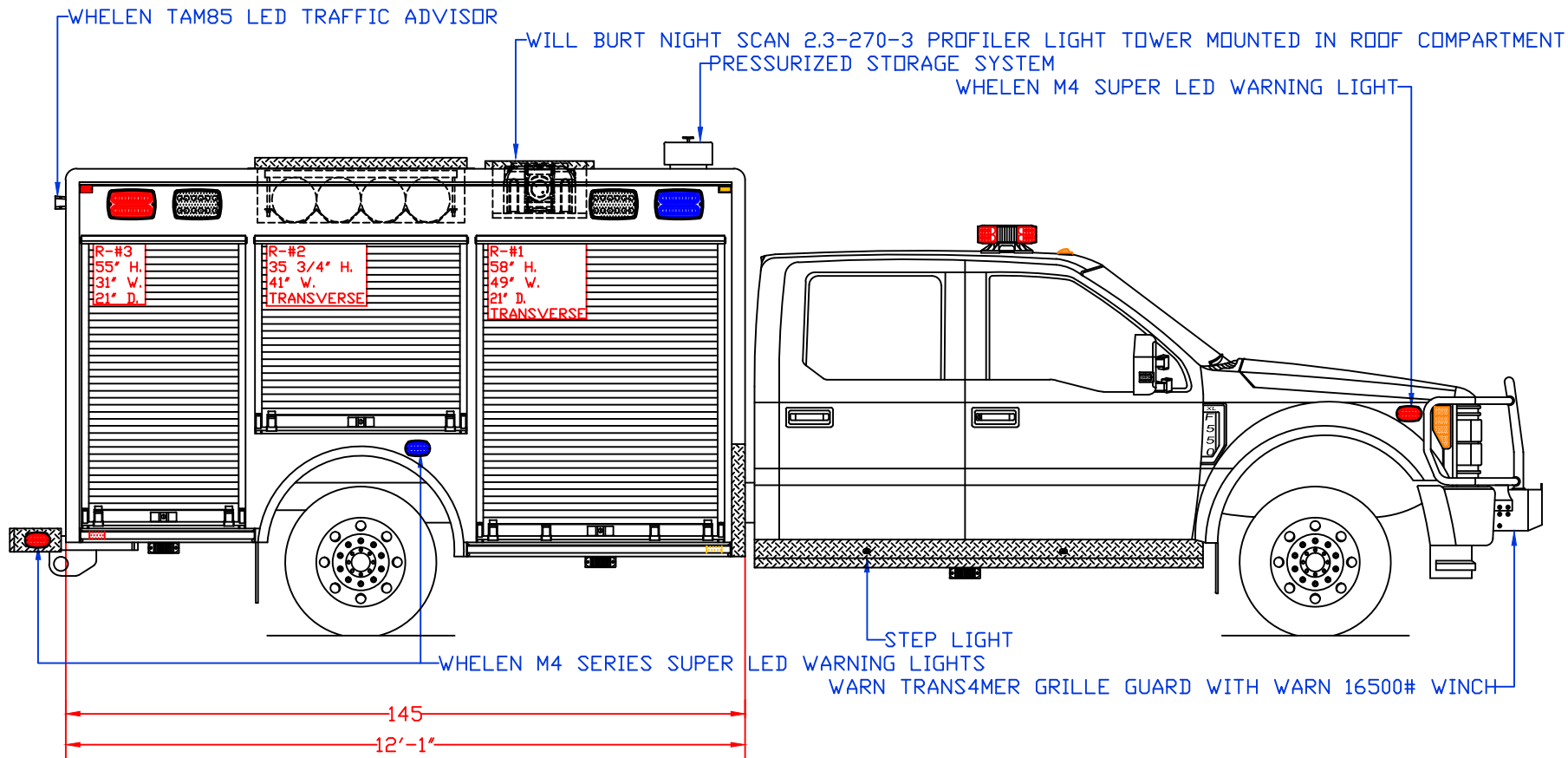


**Maintainer** Custom Bodies, Inc. [mcbfire.com](http://mcbfire.com)  
 909 South East Street (800) 843-4288 Toll Free  
 Rock Rapids, IA 51246 (712) 472-4725

CUSTOMER APPROVED BY:		PAINT CODE:	
VEHICLE TYPE: RESCUE	CHASSIS: FORD F-550 CREW CAB 4X4	BODY MAT'L: ALUMINUM	
VIEW: STREETSIDE	SCALE: NTS	BODY LENGTH: 145"	
DATE: 3/9/2018	DRAWN BY: NRW	APPROVED BY:	
DWG NO.: BUTLERFIREDIST	REVISION:	BODY STYLE:	

PROPOSAL FOR: BUTLER FIRE DISTRICT #3

NOTE: ALL DIMENSIONS ARE APPROXIMATE

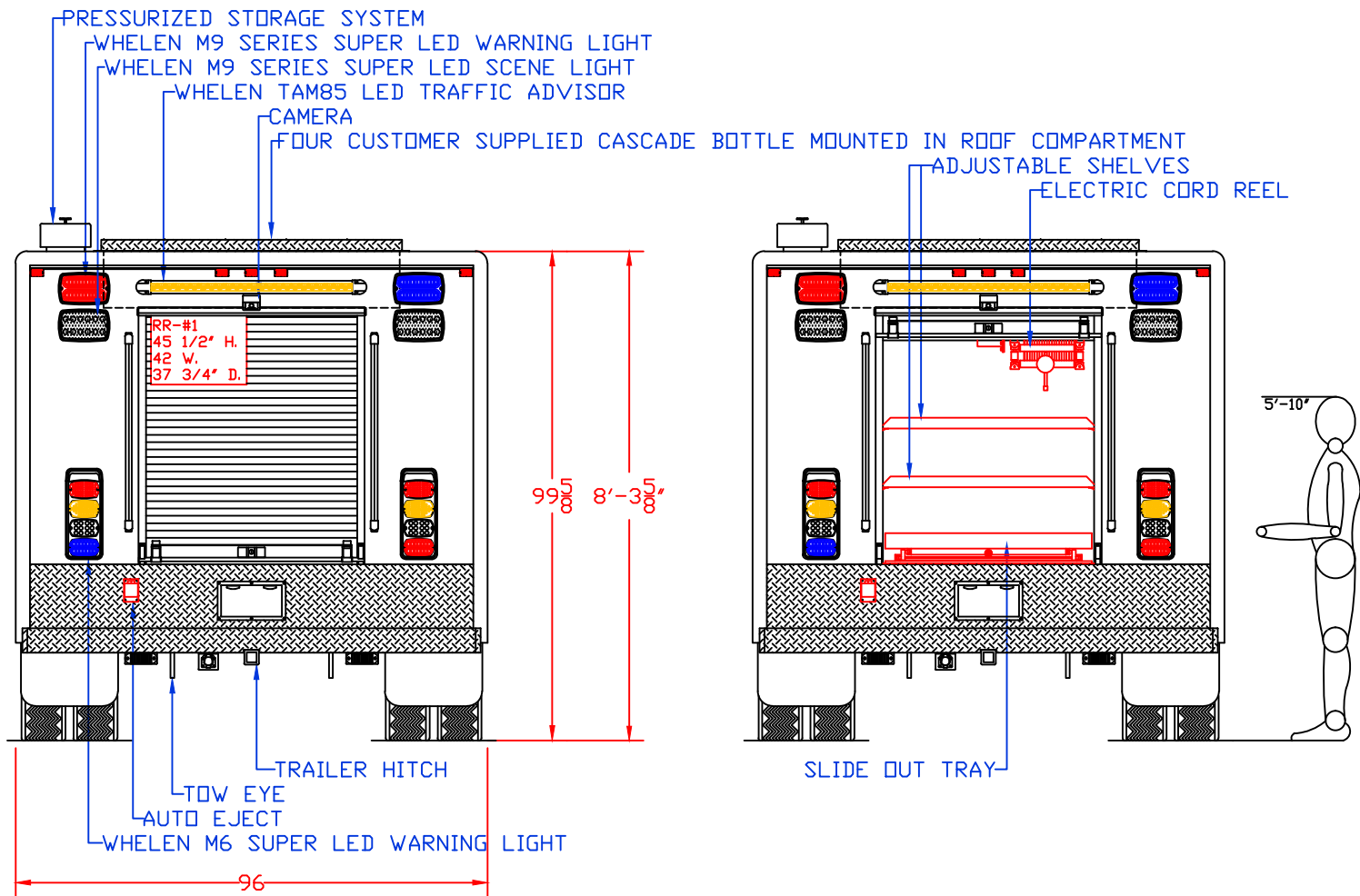


**Maintainer** Custom Bodies, Inc. [mcbfire.com](http://mcbfire.com)  
 909 South East Street (800) 843-4288 Toll Free  
 Rock Rapids, IA 51246 (712) 472-4725

PROPOSAL FOR: BUTLER FIRE DISTRICT #3

CUSTOMER APPROVED BY:		PAINTE CODE:
VEHICLE TYPE: RESCUE	CHASSIS: FORD F-550 CREW CAB 4X4	
VIEW: CURBSIDE	BODY MAT'L: ALUMINUM	
SCALE: NTS	BODY LENGTH: 145"	
DRAWN BY: NRW	APPROVED BY:	
DATE: 3/9/2018	BODY STYLE:	
DWG NO.: BUTLERFIREDIST	REVISION:	

NOTE: ALL DIMENSIONS ARE APPROXIMATE



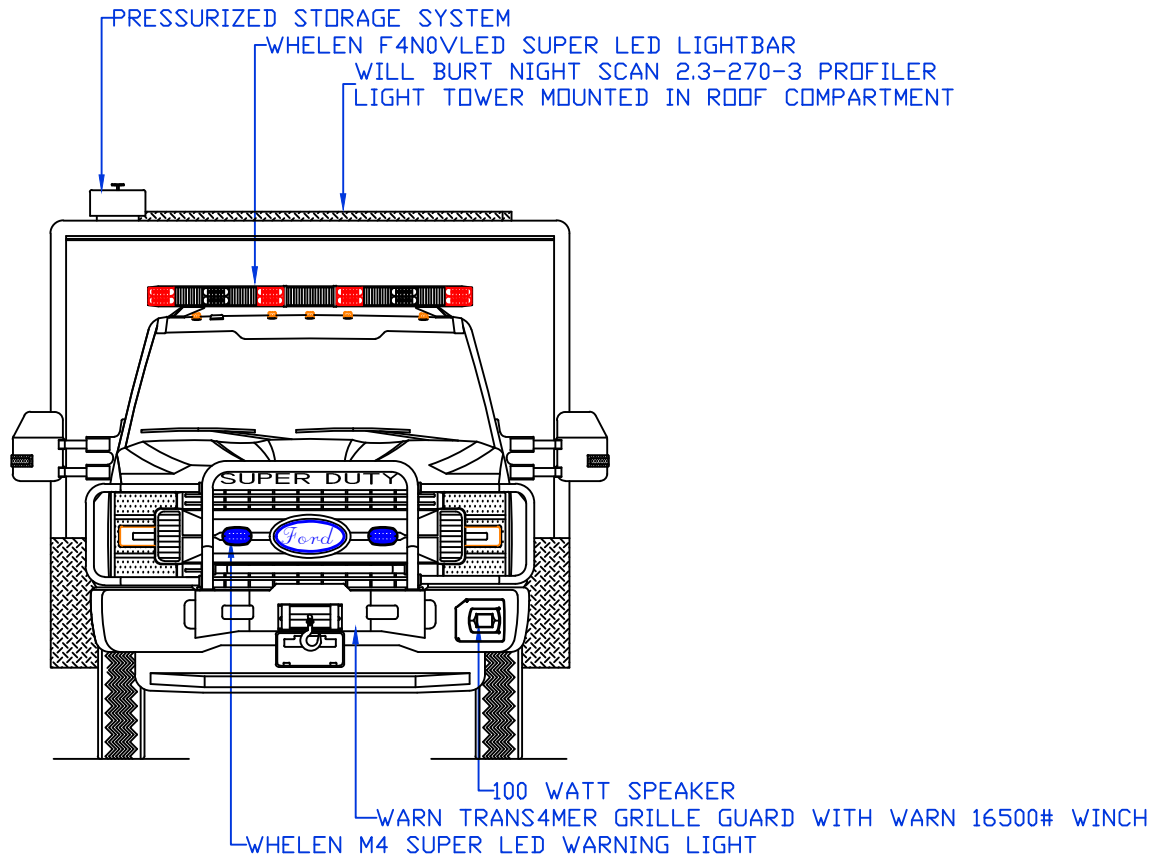
**Maintainer** *Custom Bodies, Inc.*  
 909 South East Street (800) 843-4288 Toll Free  
 Rock Rapids, IA 51246 (712) 472-4725

[mcbfire.com](http://mcbfire.com)

<b>CUSTOMER APPROVED BY:</b>		<b>PAINT CODE:</b>
VEHICLE TYPE: RESCUE	CHASSIS: FORD F-550 CREW CAB 4X4	
VIEW: REAR & REAR COMPARTMENT LAYOUT	BODY MAT'L: ALUMINUM	
SCALE: NTS	BODY LENGTH: 145"	
DRAWN BY: NRW	APPROVED BY:	
DATE: 3/9/2018	BODY STYLE:	
DWG NO.: BUTLERFIREDIST	REVISION:	

PROPOSAL FOR: BUTLER FIRE DISTRICT #3

NOTE: ALL DIMENSIONS ARE APPROXIMATE



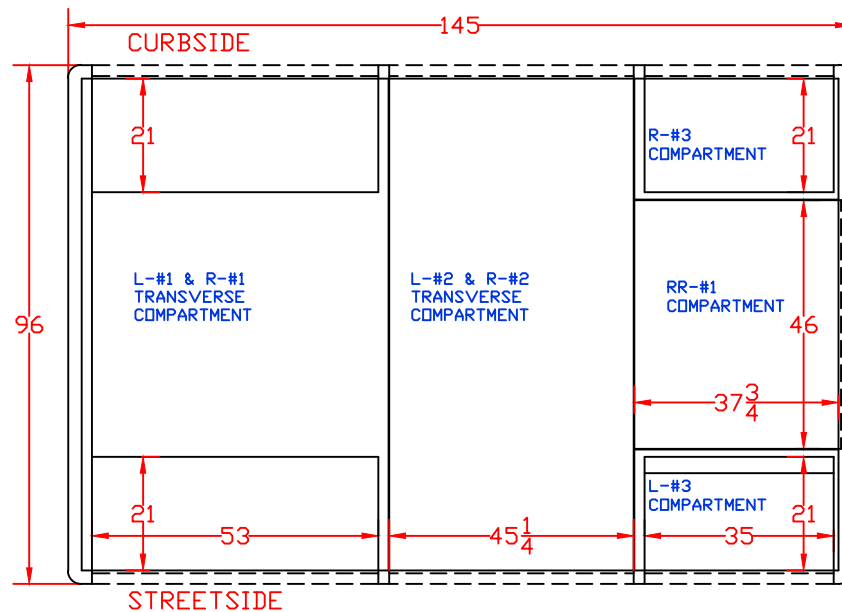
**Maintainer** Custom Bodies, Inc.  
 909 South East Street (800) 843-4288 Toll Free  
 Rock Rapids, IA 51246 (712) 472-4725

[mcbfire.com](http://mcbfire.com)

<b>CUSTOMER APPROVED BY:</b>		<b>PAINT CODE:</b>
VEHICLE TYPE: RESCUE	CHASSIS: FORD F-550 CREW CAB 4X4	
VIEW: FRONT	BODY MAT'L: ALUMINUM	
SCALE: NTS	BODY LENGTH: 145"	
DRAWN BY: NRW	APPROVED BY:	
DATE: 3/9/2018	BODY STYLE:	
DWG NO.: BUTLERFIREDIST	REVISION:	

PROPOSAL FOR: BUTLER FIRE DISTRICT #3

NOTE: ALL DIMENSIONS ARE APPROXIMATE



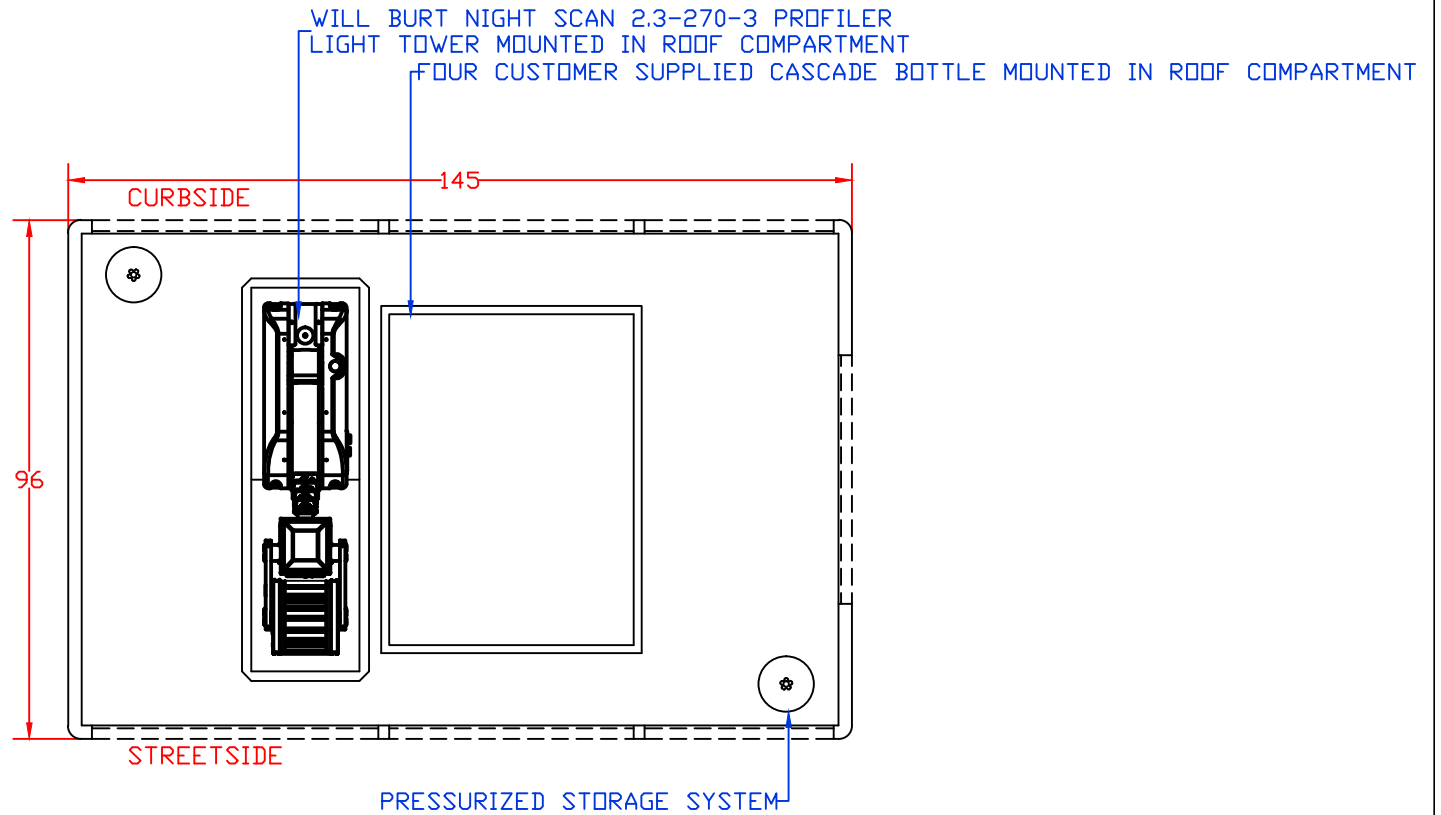
**Maintainer** *Custom Bodies, Inc.*  
 909 South East Street (800) 843-4288 Toll Free  
 Rock Rapids, IA 51246 (712) 472-4725

[mcbfire.com](http://mcbfire.com)

<b>CUSTOMER APPROVED BY:</b>		<b>PAINT CODE:</b>
VEHICLE TYPE: RESCUE	CHASSIS: FORD F-550 CREW CAB 4X4	
VIEW: TOP	BODY MAT'L: ALUMINUM	
SCALE: NTS	BODY LENGTH: 145"	
DRAWN BY: NRW	APPROVED BY:	
DATE: 3/9/2018	BODY STYLE:	
DWG NO.: BUTLERFIREDIST	REVISION:	

PROPOSAL FOR: BUTLER FIRE DISTRICT #3

NOTE: ALL DIMENSIONS ARE APPROXIMATE

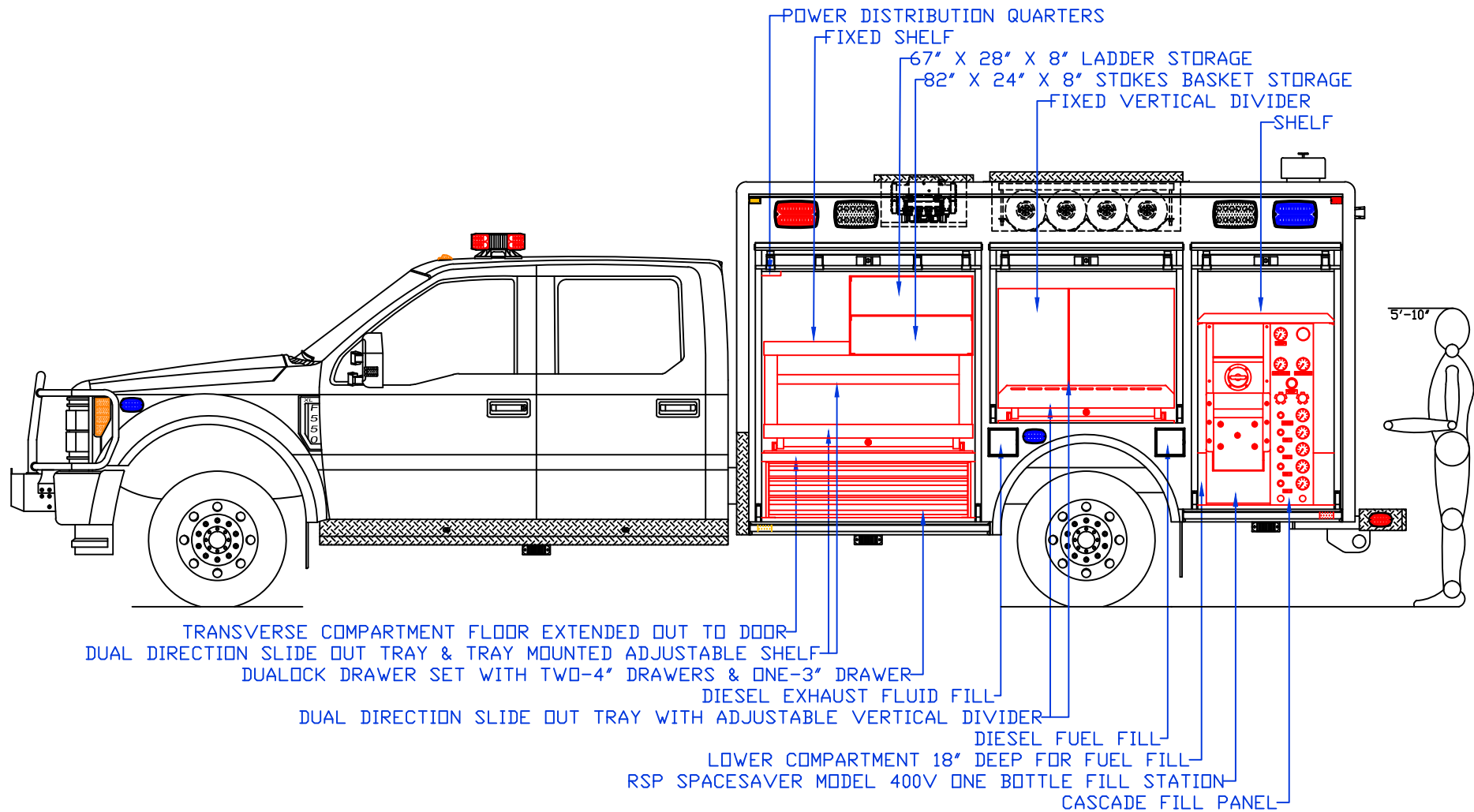


**Maintainer** *mcbfire.com*  
**Custom Bodies, Inc.**  
 909 South East Street (800) 843-4288 Toll Free  
 Rock Rapids, IA 51246 (712) 472-4725

PROPOSAL FOR: BUTLER FIRE DISTRICT #3

<b>CUSTOMER APPROVED BY:</b>		<b>PAINT CODE:</b>
VEHICLE TYPE: RESCUE	CHASSIS: FORD F-550 CREW CAB 4X4	
VIEW: ROOF	BODY MAT'L: ALUMINUM	
SCALE: NTS	BODY LENGTH: 145"	
DRAWN BY: NRW	APPROVED BY:	
DATE: 3/9/2018	BODY STYLE:	
DWG NO.: BUTLERFIREDIST	REVISION:	

NOTE: ALL DIMENSIONS ARE APPROXIMATE

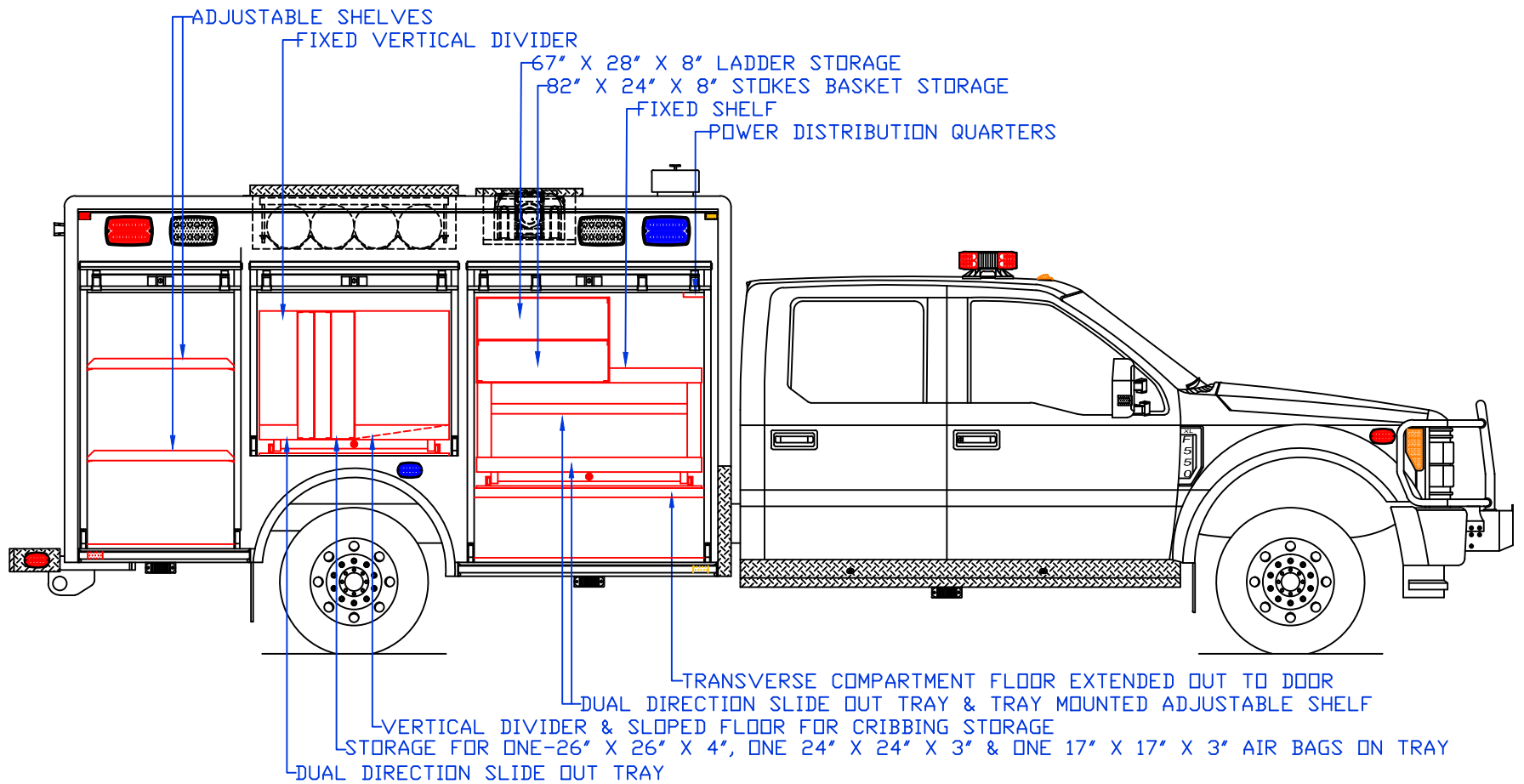


**Maintainer** Custom Bodies, Inc. mcbfire.com  
 909 South East Street (800) 843-4288 Toll Free  
 Rock Rapids, IA 51246 (712) 472-4725

PROPOSAL FOR: BUTLER FIRE DISTRICT #3

<b>CUSTOMER APPROVED BY:</b>		<b>PAIN CODE:</b>
VEHICLE TYPE: RESCUE	CHASSIS: FORD F-550 CREW CAB 4X4	BODY MAT'L: ALUMINUM
VIEW: STREETSIDE COMPARTMENT LAYOUT	BODY LENGTH: 145"	APPROVED BY:
SCALE: NTS	BODY STYLE:	REVISION:
DRAWN BY: NRW	DATE: 3/9/2018	
DWG NO.: BUTLERFIREDIST		

NOTE: ALL DIMENSIONS ARE APPROXIMATE



**Maintainer** *Custom Bodies, Inc.*  
 909 South East Street (800) 843-4288 Toll Free  
 Rock Rapids, IA 51246 (712) 472-4725

[mcbfire.com](http://mcbfire.com)

<b>CUSTOMER APPROVED BY:</b>		<b>PAINT CODE:</b>
VEHICLE TYPE: RESCUE	CHASSIS: FORD F-550 CREW CAB 4X4	
VIEW: CURBSIDE COMPARTMENT LAYOUT	BODY MAT'L: ALUMINUM	
SCALE: NTS	BODY LENGTH: 145"	
DRAWN BY: NRW	APPROVED BY:	
DATE: 3/9/2018	BODY STYLE:	
DWG NO.: BUTLERFIREDIST	REVISION:	

PROPOSAL FOR: BUTLER FIRE DISTRICT #3

NOTE: ALL DIMENSIONS ARE APPROXIMATE