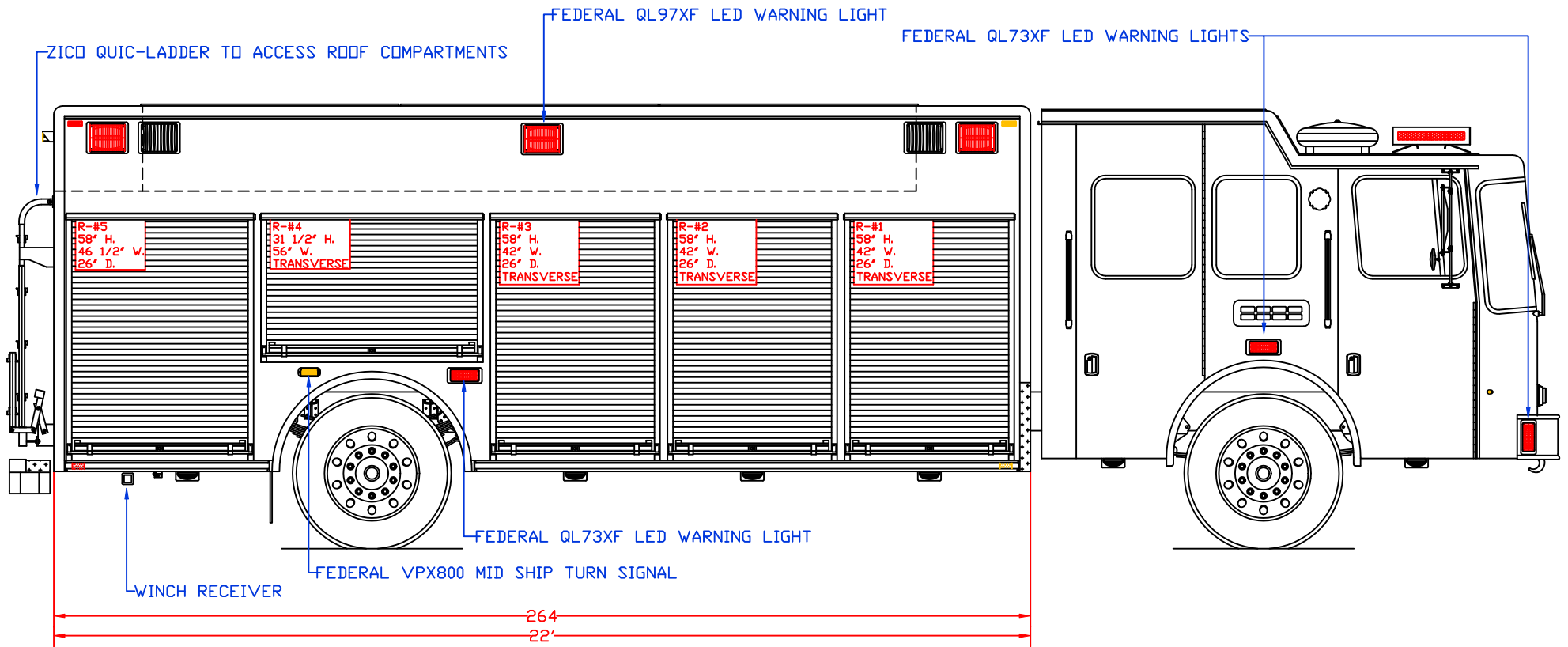


Maintainer Custom Bodies, Inc.
 909 So. East St. 800-843-4288 Toll Free
 Rock Rapids, Ia. 51246 712-472-4725 Phone

CUSTOMER APPROVED BY: _____

| | |
|----------------------------|----------------------|
| VEHICLE TYPE: HEAVY RESCUE | CHASSIS: HME 1871-W |
| VIEW: STREETSIDE | BODY MAT'L: ALUMINUM |
| SCALE: NTS | BODY LENGTH: 264" |
| DRAWN BY: NRW | APPROVED BY: |
| DATE: 1/29/2013 | BODY STYLE: |
| DWG NO.: MCDOWELLCO | REVISION: |

PROPOSAL FOR: MCDOWELL COUNTY RESCUE SQUAD



Maintainer Custom Bodies, Inc.

909 So. East St. 800-843-4288 Toll Free
 Rock Rapids, Ia. 51246 712-472-4725 Phone

CUSTOMER APPROVED BY:

VEHICLE TYPE: HEAVY RESCUE

VIEW: CURBSIDE

SCALE: NTS

DRAWN BY: NRW

DATE: 1/29/2013

DWG NO.: MCDOWELLCO

CHASSIS: HME 1871-W

BODY MAT'L: ALUMINUM

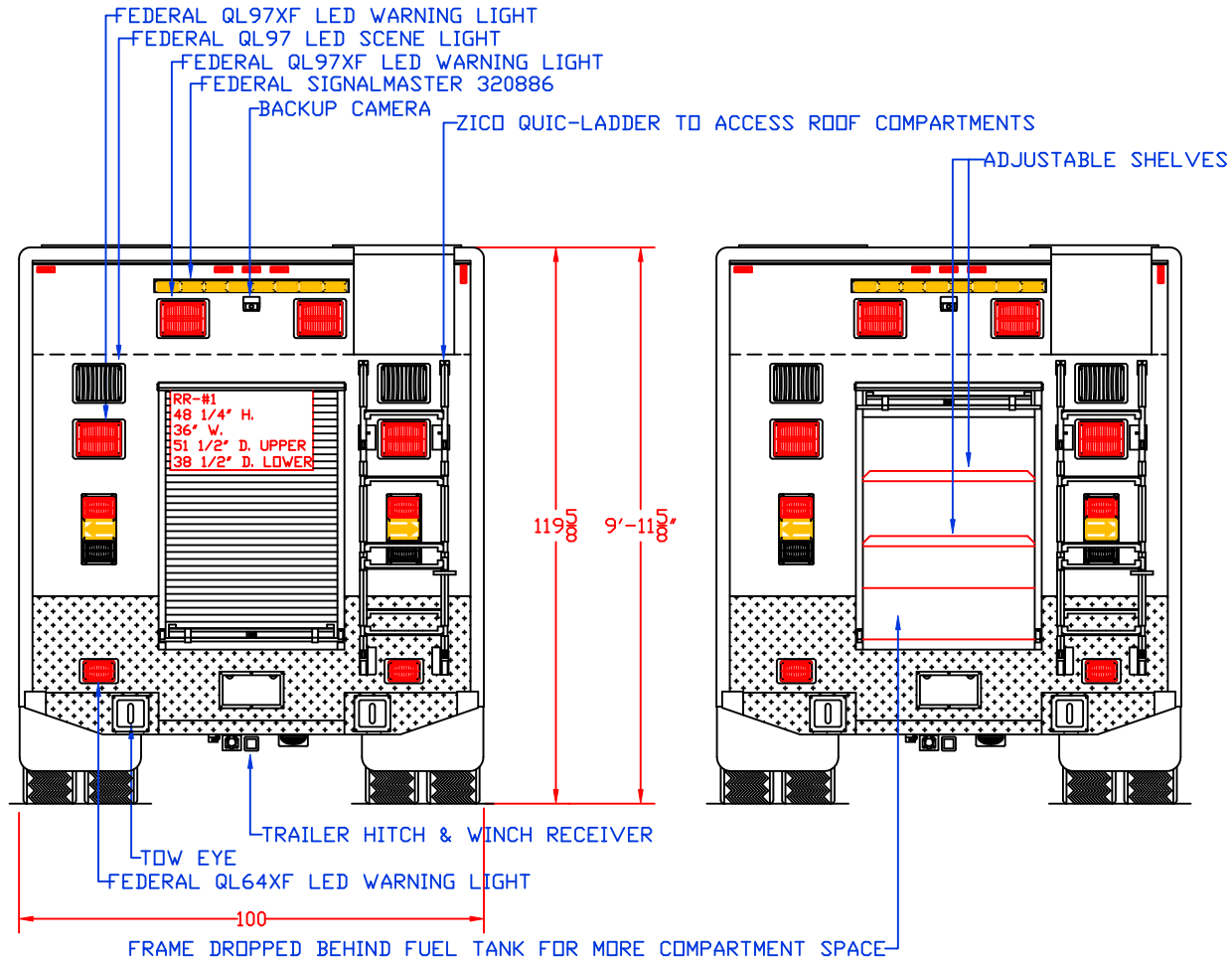
BODY LENGTH: 264"

APPROVED BY:

BODY STYLE:

REVISION:

PROPOSAL FOR: MCDOWELL COUNTY RESCUE SQUAD



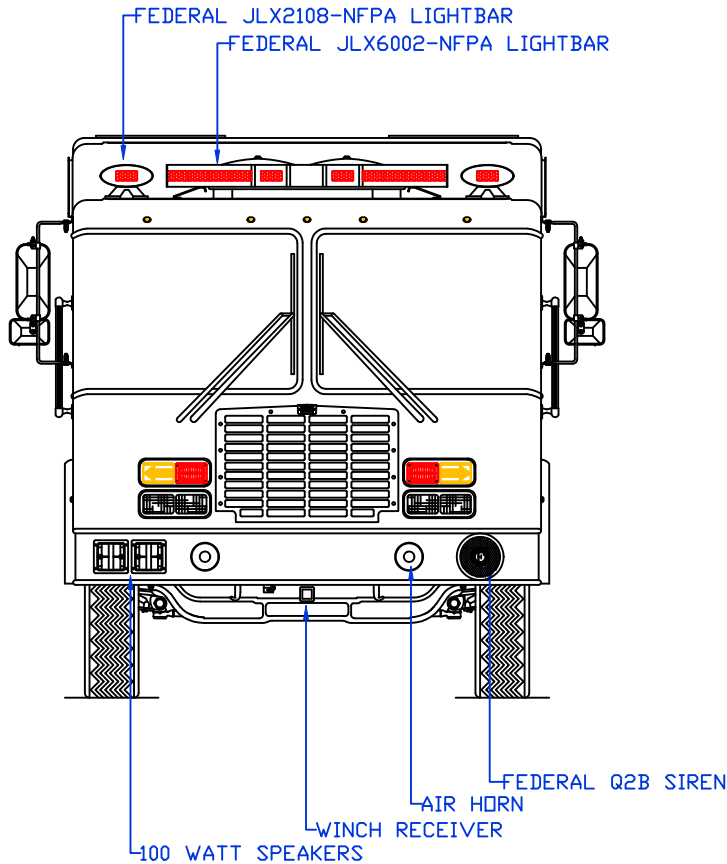
CUSTOMER APPROVED BY:

| | |
|--------------------------------------|----------------------|
| VEHICLE TYPE: HEAVY RESCUE | CHASSIS: HME 1871-W |
| VIEW: REAR & REAR COMPARTMENT LAYOUT | BODY MAT'L: ALUMINUM |
| SCALE: NTS | BODY LENGTH: 264" |
| DRAWN BY: NRW | APPROVED BY: |
| DATE: 1/29/2013 | BODY STYLE: |
| DWG NO.: MCDOWELLCO | REVISION: |

Maintainer Custom Bodies, Inc.

909 So. East St. 800-843-4288 Toll Free
 Rock Rapids, Ia. 51246 712-472-4725 Phone

PROPOSAL FOR: MCDOWELL COUNTY RESCUE SQUAD

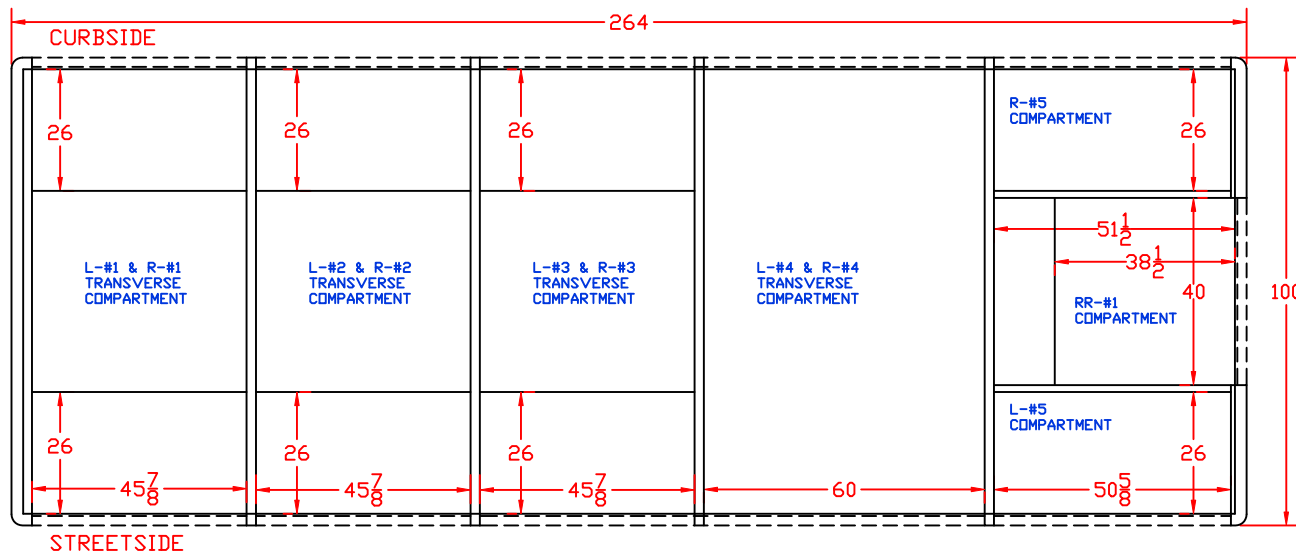


Maintainer Custom Bodies, Inc.
 909 So. East St. 800-843-4288 Toll Free
 Rock Rapids, Ia. 51246 712-472-4725 Phone

CUSTOMER APPROVED BY:

| | |
|---------------------------|----------------------|
| VEHICLE TYPE:HEAVY RESCUE | CHASSIS: HME 1871-W |
| VIEW: FRONT | BODY MAT'L: ALUMINUM |
| SCALE: NTS | BODY LENGTH:264" |
| DRAWN BY: NRW | APPROVED BY: |
| DATE: 1/29/2013 | BODY STYLE: |
| DWG NO.: MCDOWELLCO | REVISION: |

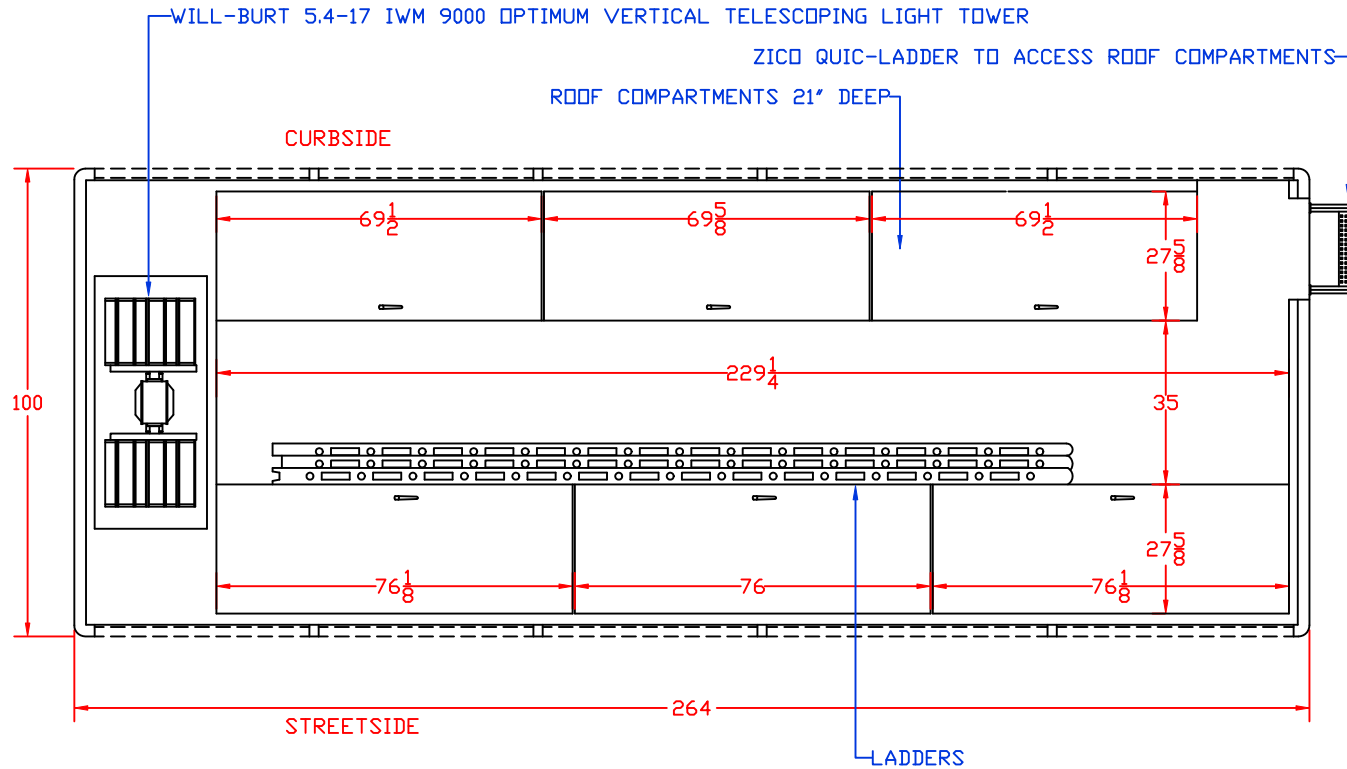
PROPOSAL FOR: MCDOWELL COUNTY RESCUE SQUAD



Maintainer Custom Bodies, Inc.
 909 So. East St. 800-843-4288 Toll Free
 Rock Rapids, Ia. 51246 712-472-4725 Phone

PROPOSAL FOR: MCDOWELL COUNTY RESCUE SQUAD

| | |
|------------------------------|----------------------|
| CUSTOMER APPROVED BY: | |
| VEHICLE TYPE: HEAVY RESCUE | CHASSIS: HME 1871-W |
| VIEW: TOP | BODY MAT'L: ALUMINUM |
| SCALE: NTS | BODY LENGTH: 264" |
| DRAWN BY: NRW | APPROVED BY: |
| DATE: 1/29/2013 | BODY STYLE: |
| DWG NO.: MCDOWELLCO | REVISION: |

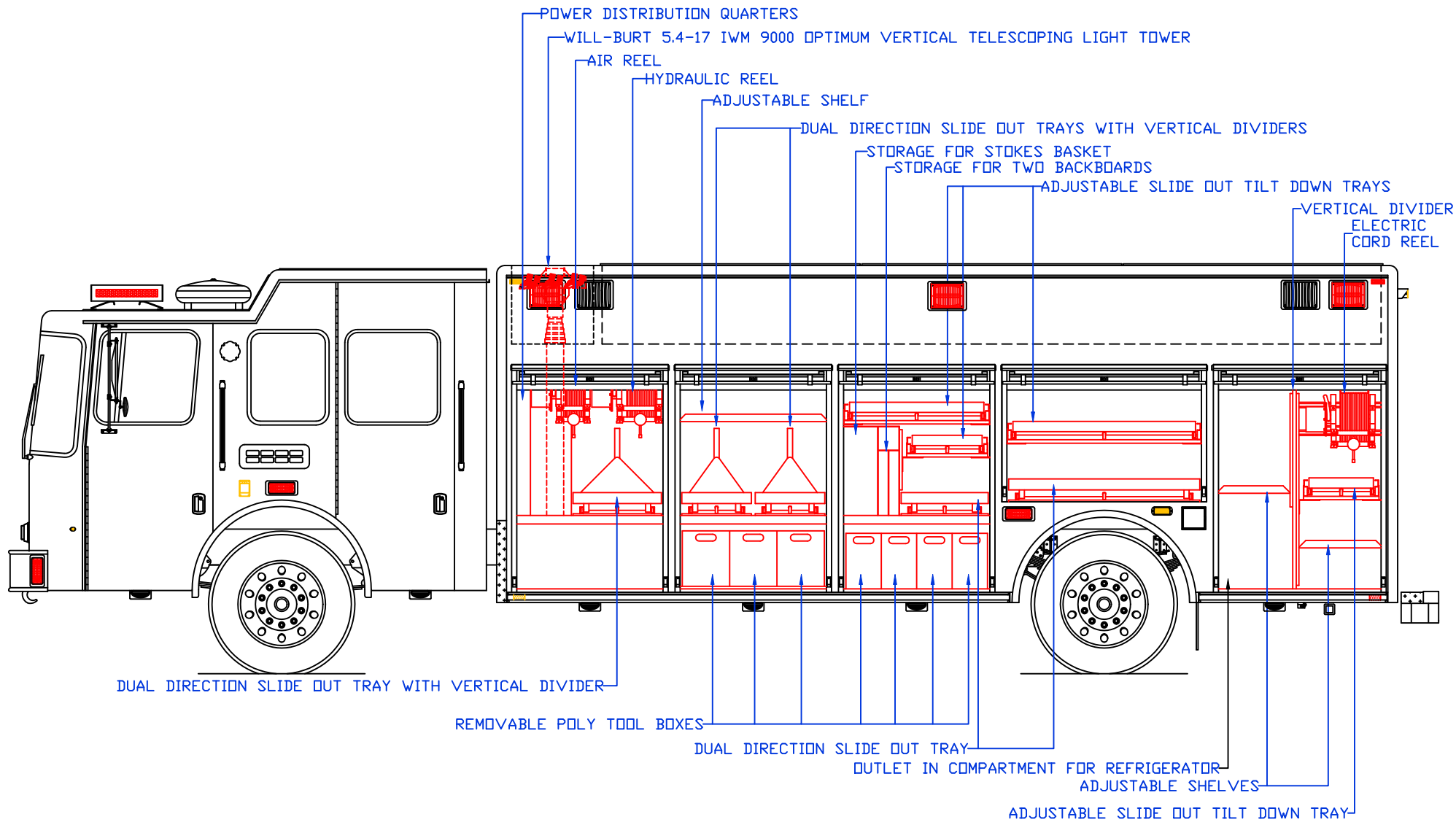


Maintainer Custom Bodies, Inc.
 909 So. East St. 800-843-4288 Toll Free
 Rock Rapids, Ia. 51246 712-472-4725 Phone

PROPOSAL FOR: MCDOWELL COUNTY RESCUE SQUAD

CUSTOMER APPROVED BY: _____

| | |
|----------------------------|----------------------|
| VEHICLE TYPE: HEAVY RESCUE | CHASSIS: HME 1871-W |
| VIEW: ROOF | BODY MAT'L: ALUMINUM |
| SCALE: NTS | BODY LENGTH: 264" |
| DRAWN BY: NRW | APPROVED BY: |
| DATE: 1/29/2013 | BODY STYLE: |
| DWG NO.: MCDOWELLCO | REVISION: |

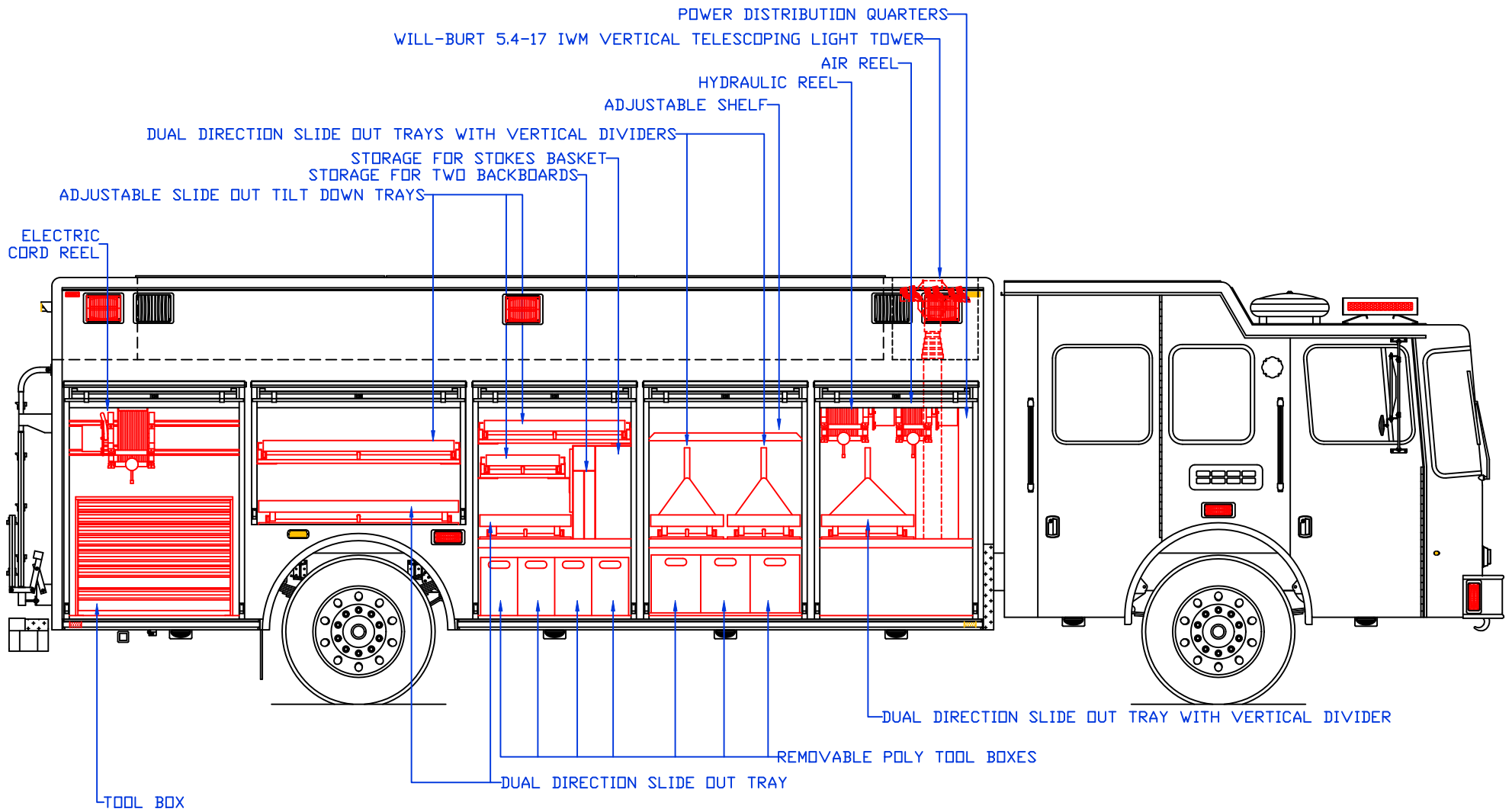


CUSTOMER APPROVED BY: _____

| | |
|----------------------------|----------------------|
| VEHICLE TYPE: HEAVY RESCUE | CHASSIS: HME 1871-W |
| VIEW: STREETSIDE | BODY MAT'L: ALUMINUM |
| SCALE: NTS | BODY LENGTH: 264" |
| DRAWN BY: NRW | APPROVED BY: _____ |
| DATE: 1/29/2013 | BODY STYLE: _____ |
| DWG NO.: MCDOWELLCO | REVISION: _____ |

Maintainer Custom Bodies, Inc.
 909 So. East St. 800-843-4288 Toll Free
 Rock Rapids, Ia. 51246 712-472-4725 Phone

PROPOSAL FOR: MCDOWELL COUNTY RESCUE SQUAD



Maintainer Custom Bodies, Inc.
 909 So. East St. 800-843-4288 Toll Free
 Rock Rapids, Ia. 51246 712-472-4725 Phone

CUSTOMER APPROVED BY: _____

VEHICLE TYPE: HEAVY RESCUE

CHASSIS: HME 1871-W

VIEW: CURBSIDE

BODY MAT'L: ALUMINUM

SCALE: NTS

BODY LENGTH: 264"

DRAWN BY: NRW

APPROVED BY:

DATE: 1/29/2013

BODY STYLE:

DWG NO.: MCDOWELLCO

REVISION:

PROPOSAL FOR: MCDOWELL COUNTY RESCUE SQUAD