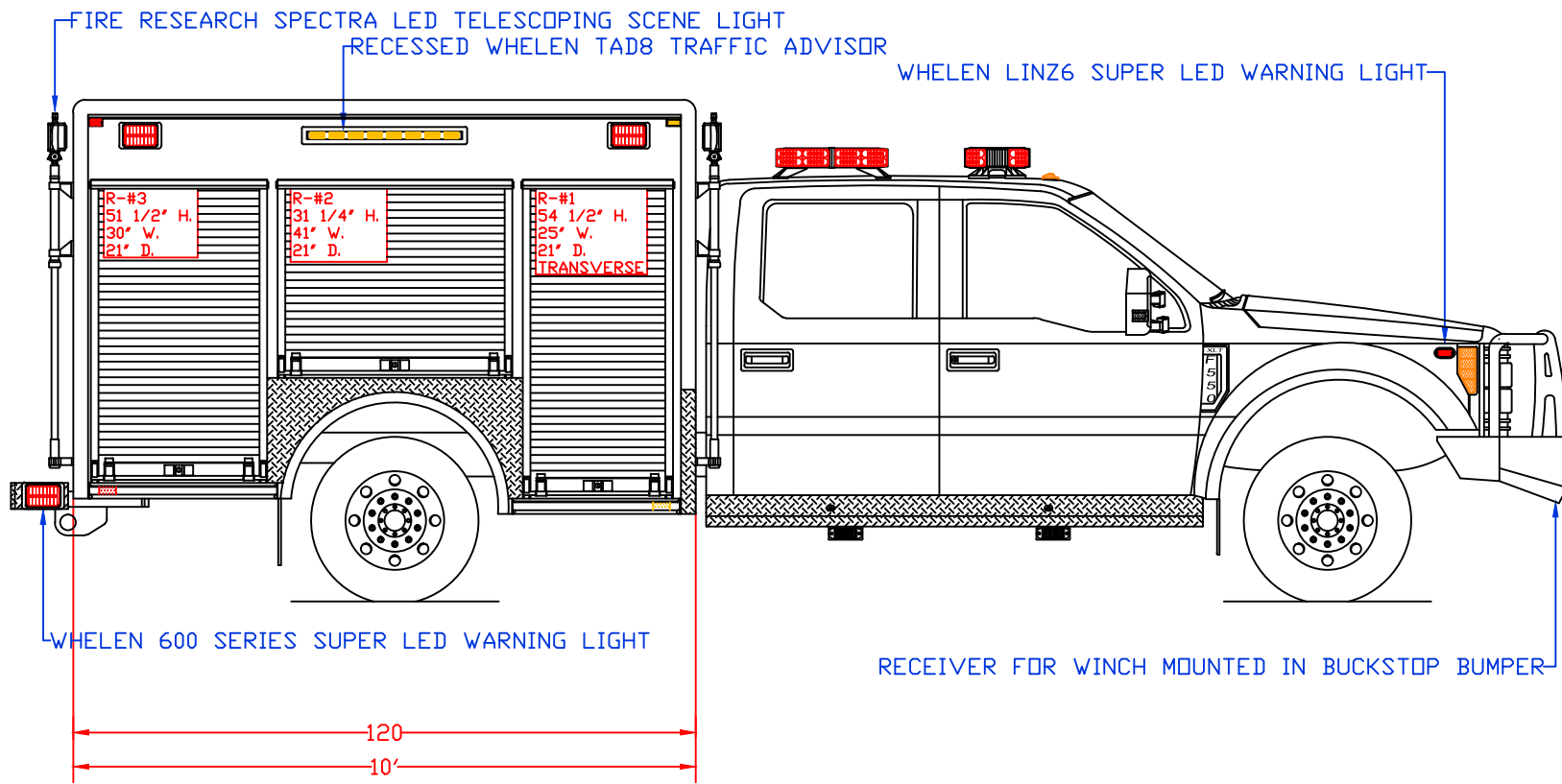


Maintainer Custom Bodies, Inc. mcbfire.com
 909 South East Street (800) 843-4288 Toll Free
 Rock Rapids, IA 51246 (712) 472-4725

CUSTOMER APPROVED BY:	
VEHICLE TYPE: FIRE POLICE UNIT	CHASSIS: FORD F-550 CREW CAB 4X4
NEW: STREETSIDE	BODY MAT'L: ALUMINUM
SCALE: NTS	BODY LENG: 120"
DRAWN BY: NRW	APPROVED BY:
DATE: 12/28/2016	BODY STYLE:
DWG NO.: SAGHARBOR	REVISION:

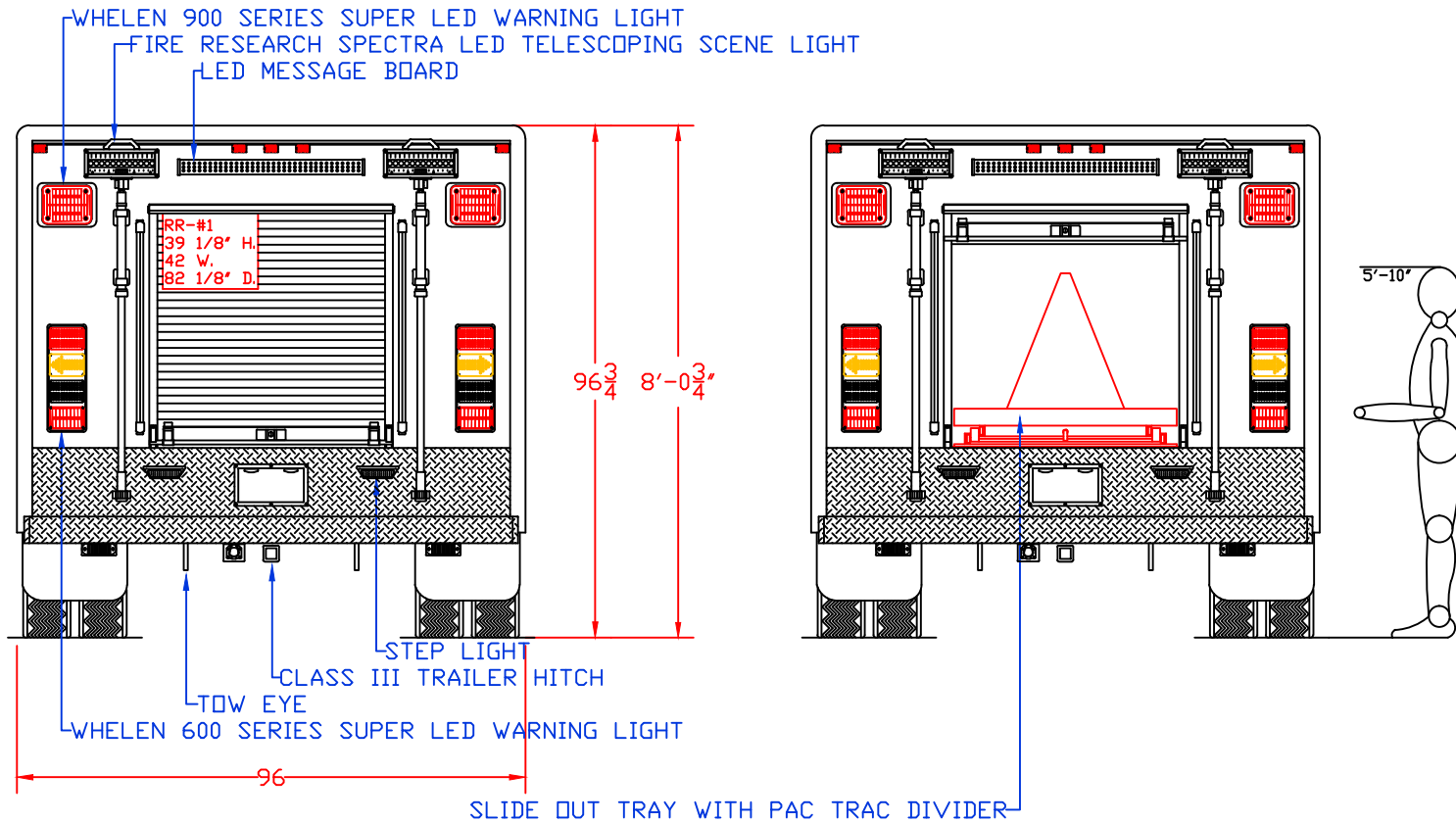
PROPOSAL FOR: SAG HARBOR FIRE DEPARTMENT



Maintainer *mcbfire.com*
Custom Bodies, Inc.
 909 South East Street (800) 843-4288 Toll Free
 Rock Rapids, IA 51246 (712) 472-4725

CUSTOMER APPROVED BY:	
VEHICLE TYPE: FIRE POLICE UNIT	CHASSIS: FORD F-550 CREW CAB 4X4
NEW: CURBSIDE	BODY MAT'L: ALL MINIM
SCALE: NTS	BODY LENG: 120"
DRAWN BY: NRW	APPROVED BY:
DATE: 12/28/2016	BODY STYLE:
DWG NO.: SAGHARBOR	REVISION:

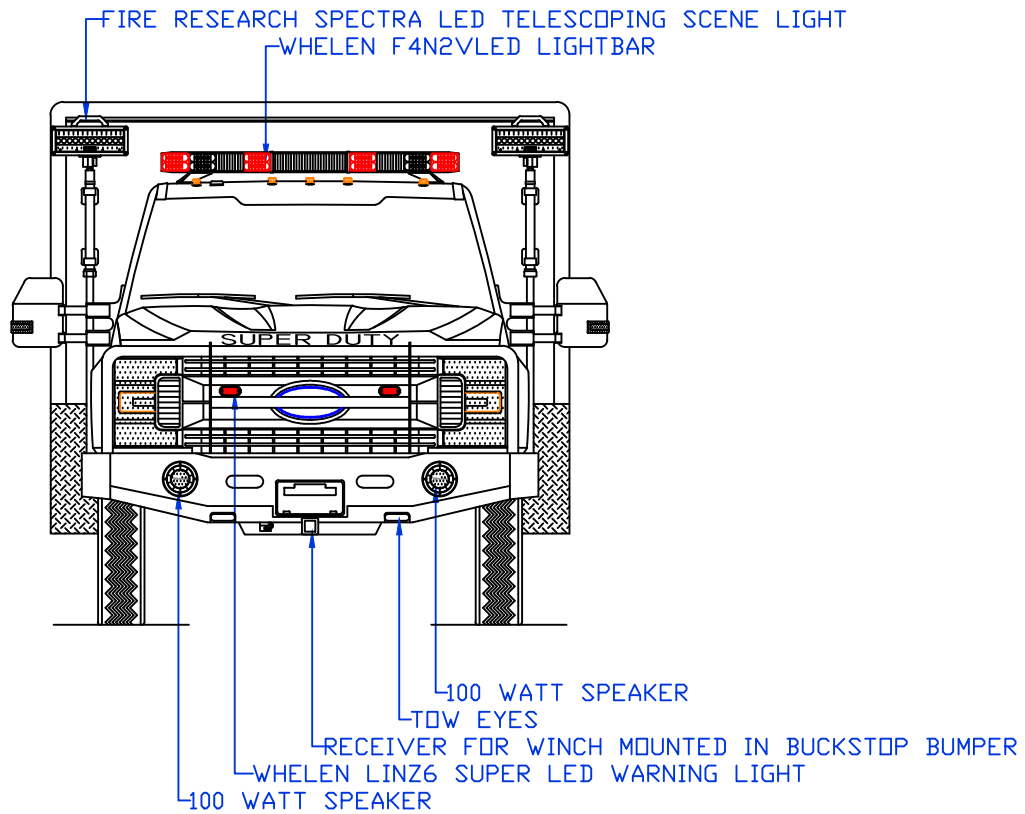
PROPOSAL FOR: SAG HARBOR FIRE DEPARTMENT



Maintainer *mcbfire.com*
Custom Bodies, Inc.
 909 South East Street (800) 843-4288 Toll Free
 Rock Rapids, IA 51246 (712) 472-4725

PROPOSAL FOR: SAG HARBOR FIRE DEPARTMENT

CUSTOMER APPROVED BY:		
VEHICLE TYPE:	FIRE POLICE UNIT	CHASSIS: FORD F-550 CREW CAB 4X4
NEW:	REAR & REAR COMPARTMENT LAYOUT	BODY MAT'L: ALUMINUM
SCALE:	NTS	BODY LENG: 120"
DRAWN BY:	NRW	APPROVED BY:
DATE:	12/28/2016	BODY STYLE:
DWG NO.:	SAGHARBOR	REVISION:

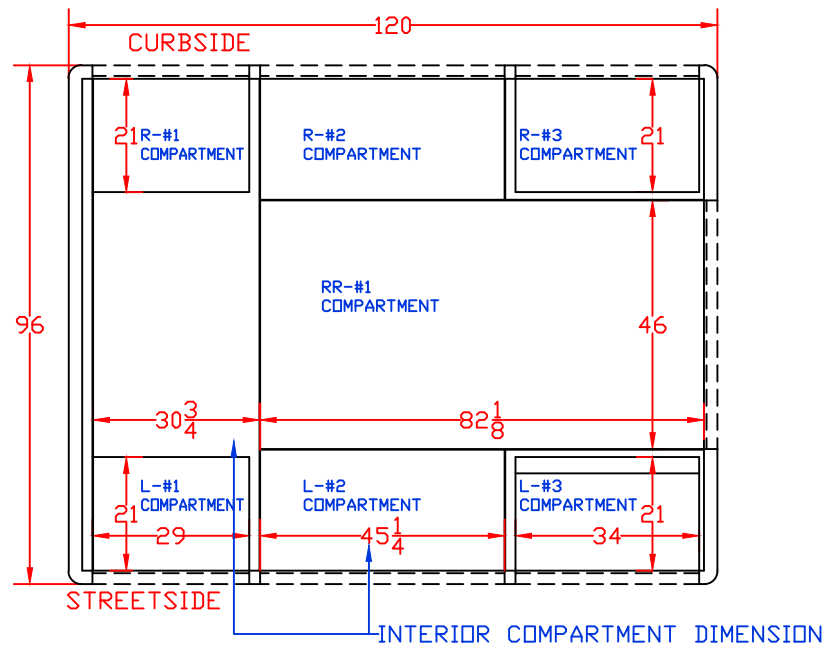


Maintainer *Custom Bodies, Inc.*
 909 South East Street (800) 843-4288 Toll Free
 Rock Rapids, IA 51246 (712) 472-4725

mcbfire.com

CUSTOMER APPROVED BY:		
VEHICLE TYPE:	FIRE POLICE UNIT	CHASSIS:
MODEL:	FRONT	FORD F-550 CREW CAB 4X4
SCALE:	NTS	BODY MAT'L:
DRAWN BY:	NRW	ALL MINUM
DATE:	12/28/2016	BODY LENGH:
DWG NO.:	SAGHARBOR	120"
		APPROVED BY:
		BODY STYLE:
		REFUSION:

PROPOSAL FOR: SAG HARBOR FIRE DEPARTMENT



Maintainer *Custom Bodies, Inc.*
 909 South East Street (800) 843-4288 Toll Free
 Rock Rapids, IA 51246 (712) 472-4725

mcbfire.com

CUSTOMER APPROVED BY:

VEHICLE TYPE: FIRE POLICE UNIT

VIEW: TOP

SCALE: NTS

DRAWN BY: NRW

DATE: 12/28/2016

DWG NO.: SAGHARBOR

CHASSIS: FORD F-550 CREW CAB 4X4

BODY MAT'L: ALUMINUM

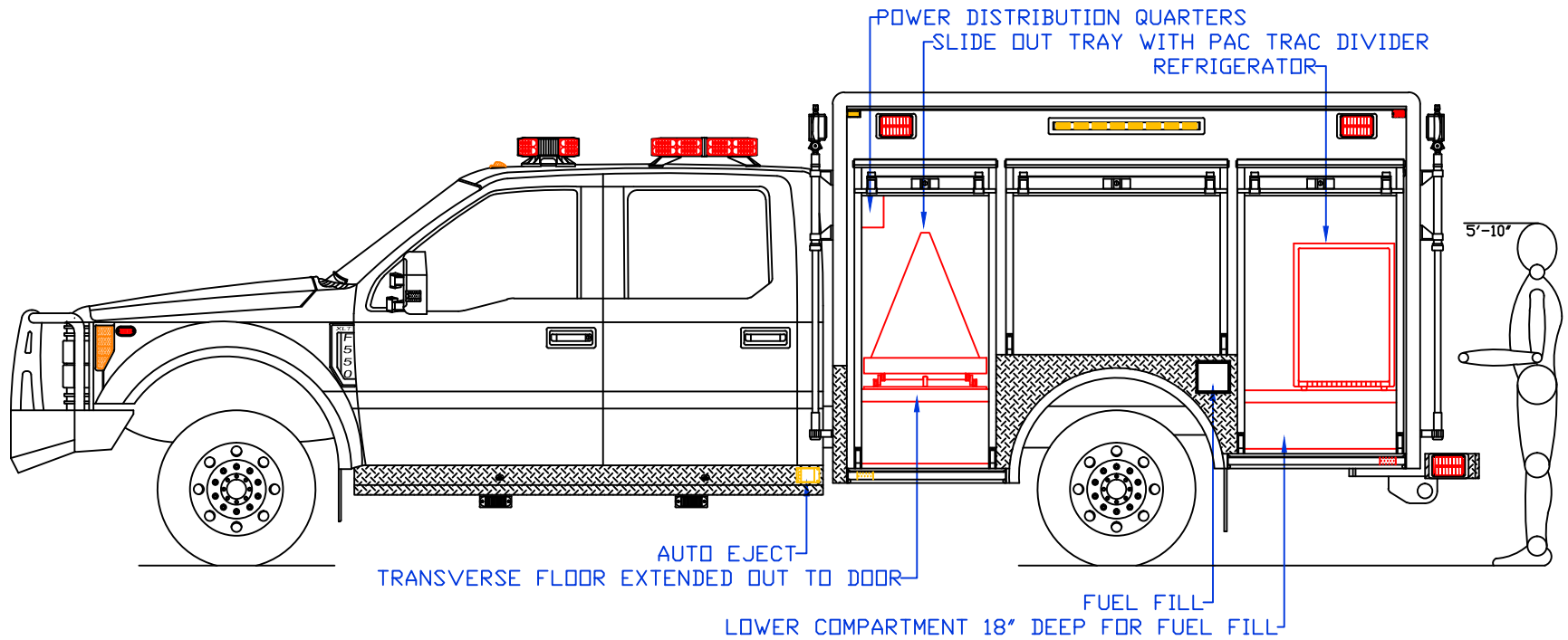
BODY LENG: 120"

APPROVED BY:

BODY STYLE:

REVISION:

PROPOSAL FOR: SAG HARBOR FIRE DEPARTMENT

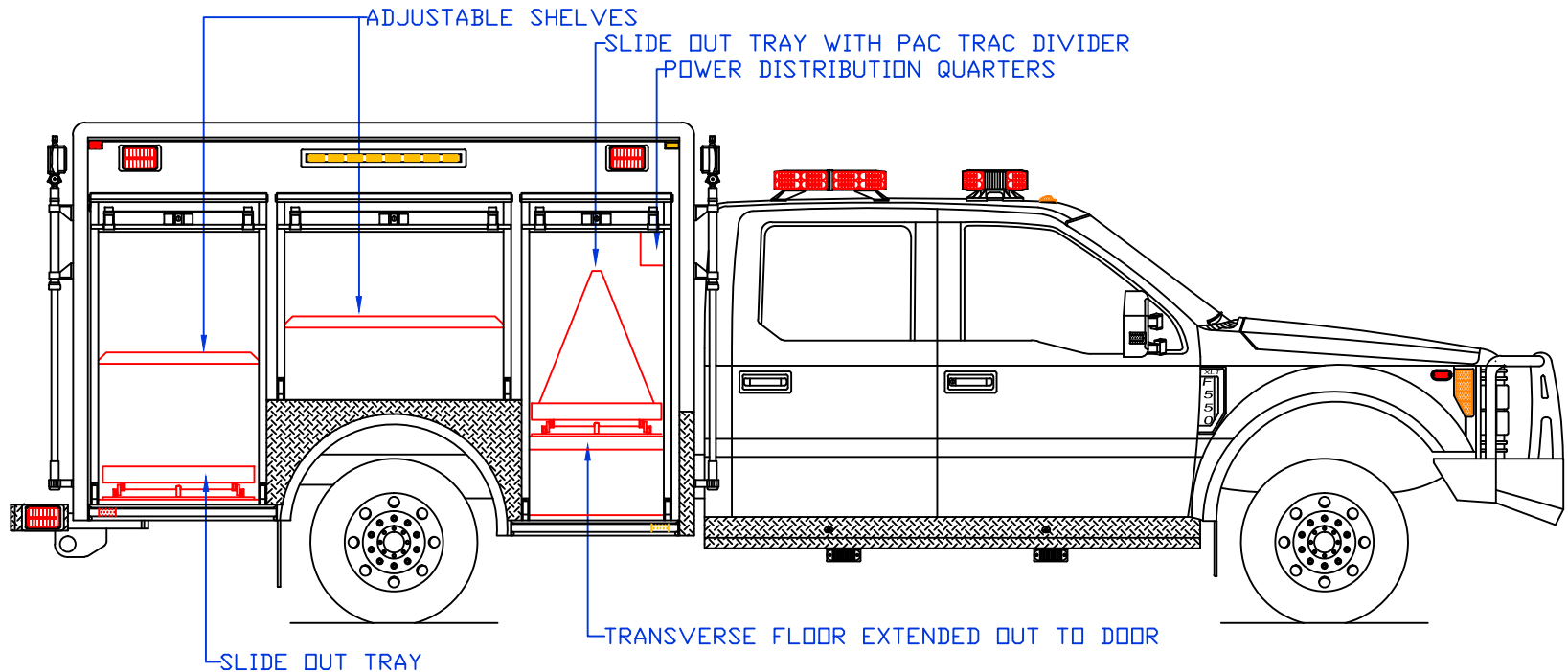


Maintainer Custom Bodies, Inc.
 909 South East Street
 Rock Rapids, IA 51246
 (800) 843-4288 Toll Free
 (712) 472-4725

mcbfire.com

CUSTOMER APPROVED BY:		
VEHICLE TYPE:	FIRE POLICE UNIT	CHASSIS:
NEW:	STREETSIDE COMPARTMENT LAYOUT	FORD F-550 CREW CAB 4X4
SCALE:	NTS	BODY MAT'L:
DRAWN BY:	NRW	ALL MIN/AM
DATE:	12/28/2016	BODY LENG: 120"
DWG NO.:	SAGHARBOR	APPROVED BY:
		BODY STYLE:
		REVISION:

PROPOSAL FOR: SAG HARBOR FIRE DEPARTMENT



Maintainer *Custom Bodies, Inc.*
 909 South East Street (800) 843-4288 Toll Free
 Rock Rapids, IA 51246 (712) 472-4725

mcbfire.com

CUSTOMER APPROVED BY:	
VEHICLE TYPE: FIRE POLICE UNIT	CHASSIS: FORD F-550 CREW CAB 4X4
NEW: CURBSIDE COMPARTMENT LAYOUT	BODY MAT'L: ALUMINUM
SCALE: NTS	BODY LENG: 120"
DRAWN BY: NRW	APPROVED BY:
DATE: 12/28/2016	BODY STYLE:
DWG NO.: SAGHARBOR	REVISION:

PROPOSAL FOR: SAG HARBOR FIRE DEPARTMENT