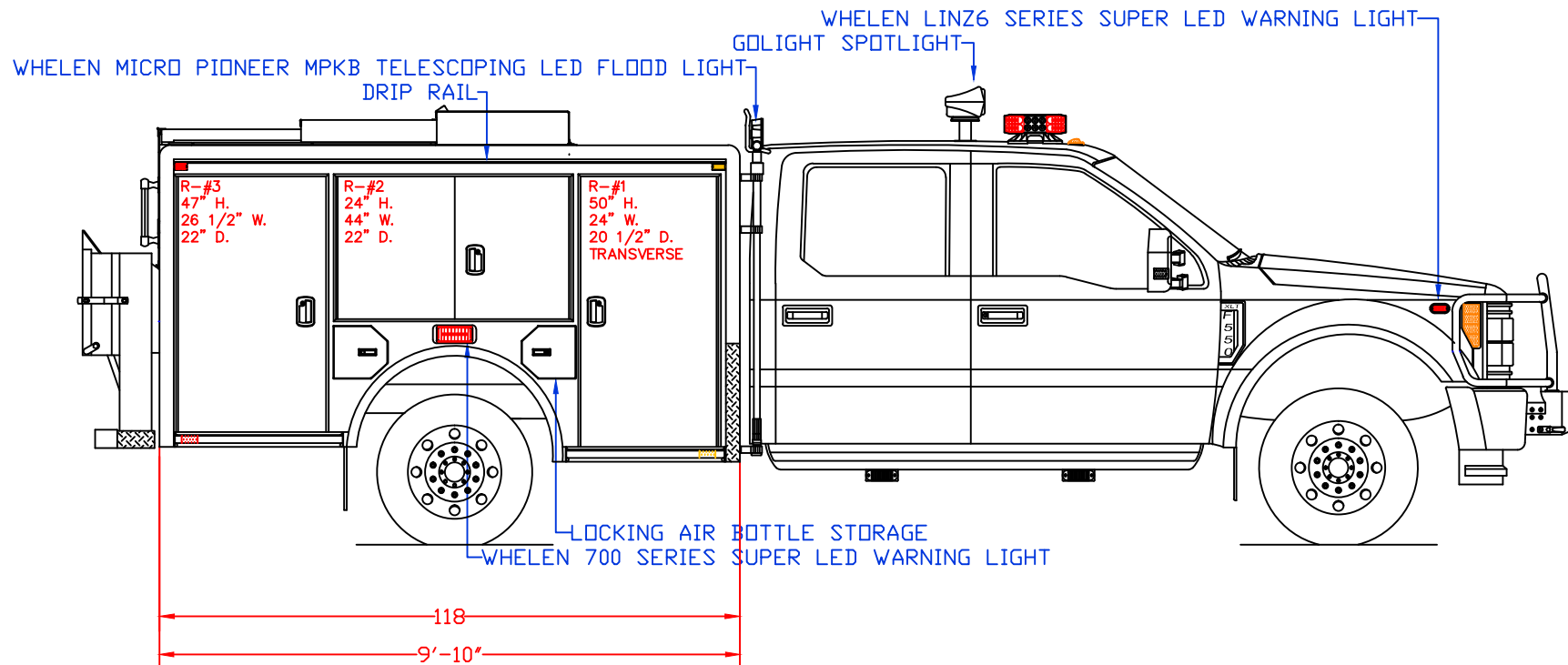


**Maintainer** Custom Bodies, Inc. [mcbfire.com](http://mcbfire.com)  
 909 South East Street (800) 843-4288 Toll Free  
 Rock Rapids, IA 51246 (712) 472-4725

PROPOSAL FOR: SAN BERNARDINO COUNTY

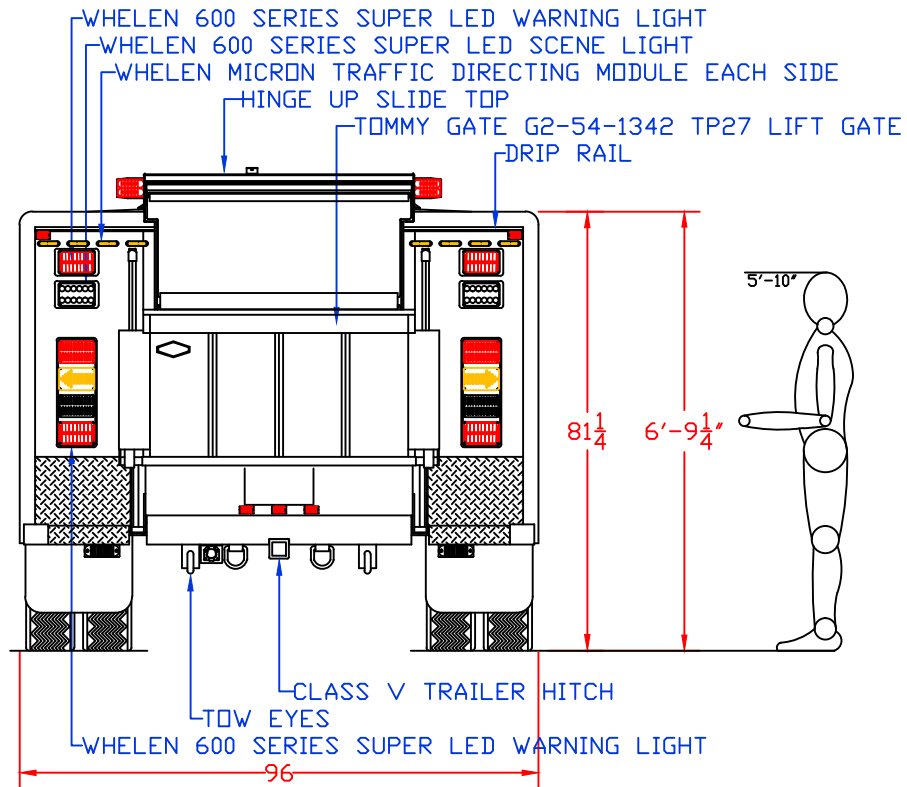
<b>CUSTOMER APPROVED BY:</b>		<b>PAINT CODE:</b>
VEHICLE TYPE: HAZMAT	CHASSIS: FORD F-550 CREW CAB 4 X 4	BODY MAT'L: ALUMINUM
VIEW: STREETSIDE	BODY LENGTH: 118"	APPROVED BY:
SCALE: NTS	BODY STYLE:	REVISION:
DRAWN BY: NRW	DATE: 12/21/2016	
DWG NO.: SANBERNARDINOHAZMAT		



**Maintainer** *mcbfire.com*  
**Custom Bodies, Inc.**  
 909 South East Street (800) 843-4288 Toll Free  
 Rock Rapids, IA 51246 (712) 472-4725

PROPOSAL FOR: SAN BERNARDINO COUNTY

<b>CUSTOMER APPROVED BY:</b>		<b>PAINT CODE:</b>
VEHICLE TYPE: HAZMAT	CHASSIS: FORD F-550 CREW CAB 4 X 4	BODY MAT'L: ALUMINUM
VIEW: CURBSIDE	SCALE: NTS	BODY LENGTH: 118"
DRAWN BY: NRW	DATE: 12/21/2016	APPROVED BY:
DWG NO.: SANBERNARDINOHAZMAT		BODY STYLE:
		REVISION:

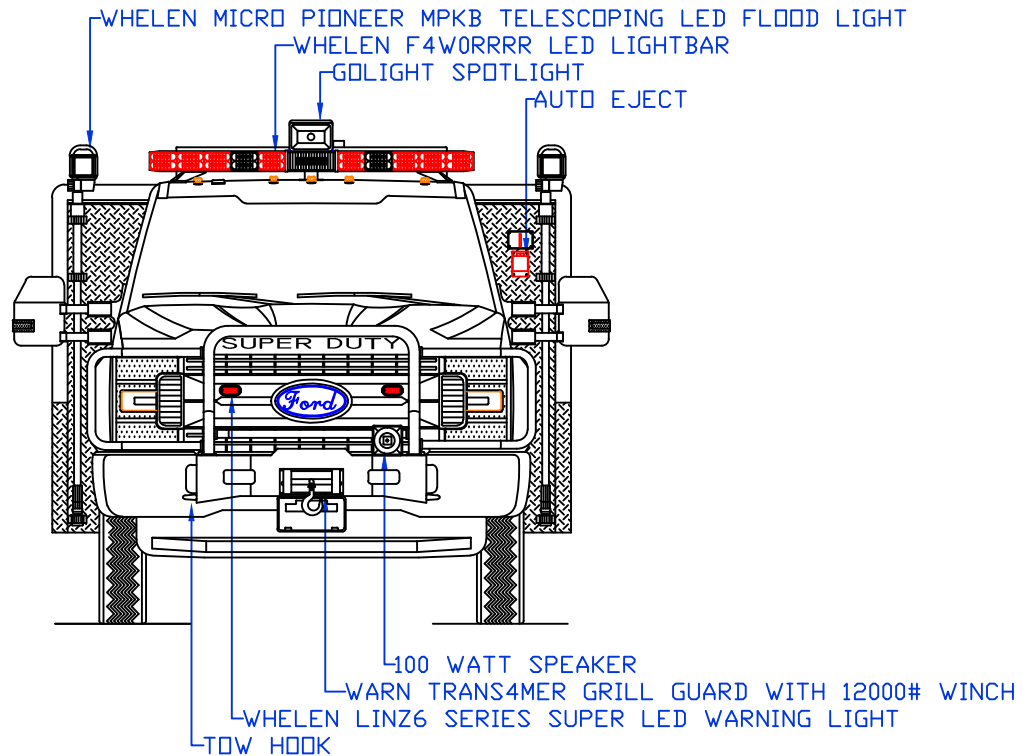


**Maintainer** *Custom Bodies, Inc.*  
 909 South East Street (800) 843-4288 Toll Free  
 Rock Rapids, IA 51246 (712) 472-4725

[mcbfire.com](http://mcbfire.com)

<b>CUSTOMER APPROVED BY:</b>		<b>PAINT CODE:</b>
VEHICLE TYPE: HAZMAT	CHASSIS: FORD F-550 CREW CAB 4 X 4	BODY MAT'L: ALUMINUM
VIEW: REAR	SCALE: NTS	BODY LENGTH: 118"
SCALE: NTS	DRAWN BY: NRW	APPROVED BY:
DRAWN BY: NRW	DATE: 12/21/2016	BODY STYLE:
DATE: 12/21/2016	DWG NO.: SANBERNARDINOHAZMAT	REVISION:
DWG NO.: SANBERNARDINOHAZMAT		

PROPOSAL FOR: SAN BERNARDINO COUNTY

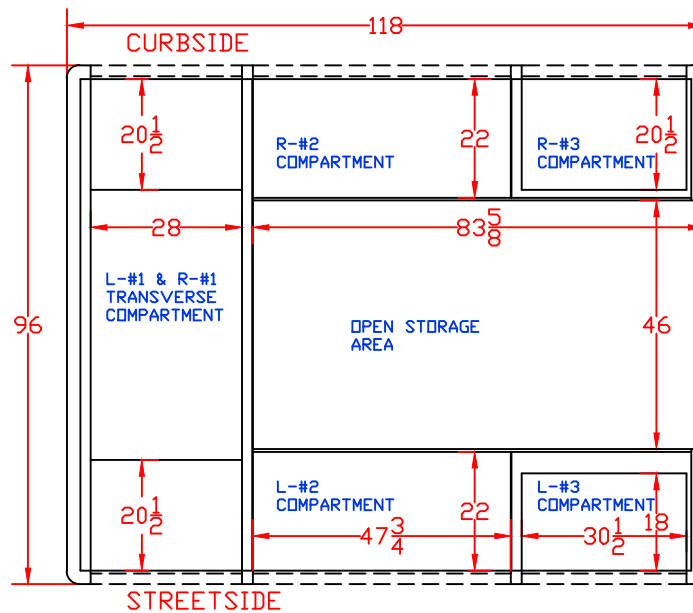


**Maintainer** *Custom Bodies, Inc.*  
 909 South East Street (800) 843-4288 Toll Free  
 Rock Rapids, IA 51246 (712) 472-4725

[mcbfire.com](http://mcbfire.com)

<b>CUSTOMER APPROVED BY:</b>		<b>PAINT CODE:</b>
VEHICLE TYPE: HAZMAT	CHASSIS: FORD F-550 CREW CAB 4 X 4	BODY MAT'L: ALUMINUM
VIEW: FRONT	SCALE: NTS	BODY LENGTH: 118"
DRAWN BY: NRW	DATE: 12/21/2016	APPROVED BY:
DWG NO.: SANBERNARDINOHAZMAT		BODY STYLE:
		REVISION:

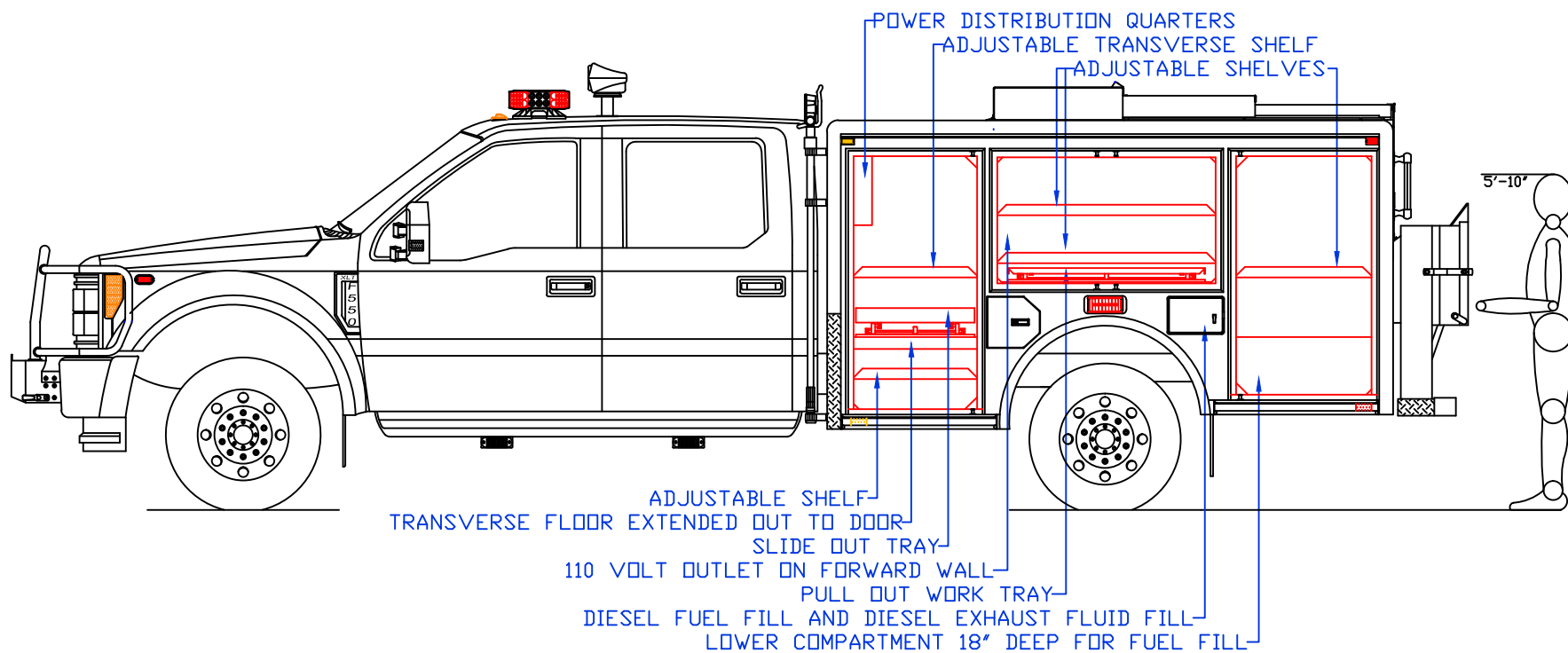
PROPOSAL FOR: SAN BERNARDINO COUNTY



**Maintainer** *mcbfire.com*  
**Custom Bodies, Inc.**  
 909 South East Street (800) 843-4288 Toll Free  
 Rock Rapids, IA 51246 (712) 472-4725

PROPOSAL FOR: SAN BERNARDINO COUNTY

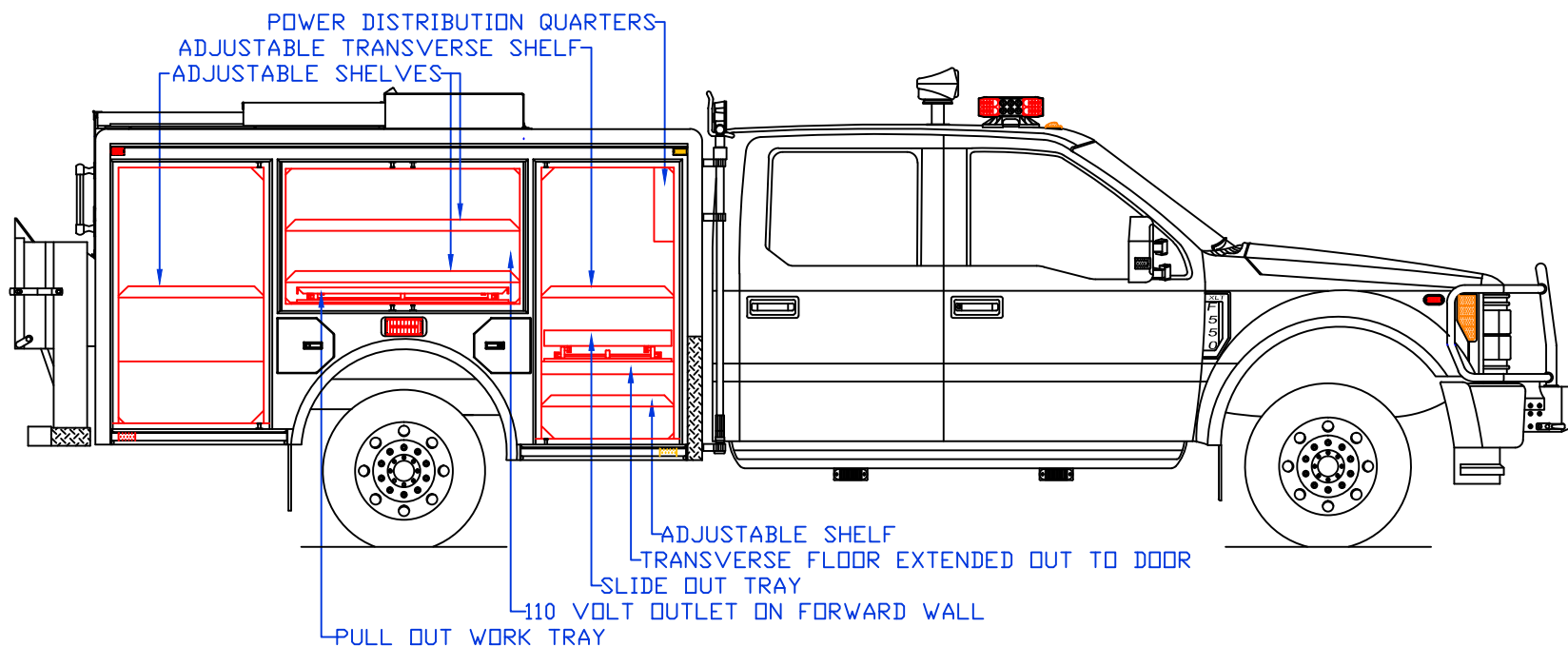
CUSTOMER APPROVED BY:		PAINTE CODE:
VEHICLE TYPE: HAZMAT	CHASSIS: FORD F-550 CREW CAB 4 X 4	
VIEW: TOP	BODY MAT'L: ALUMINUM	
SCALE: NTS	BODY LENGTH: 118"	
DRAWN BY: NRW	APPROVED BY:	
DATE: 12/21/2016	BODY STYLE:	
DWG NO.: SANBERNARDINOHAZMAT	REVISION:	



**Maintainer** Custom Bodies, Inc. [mcbfire.com](http://mcbfire.com)  
 909 South East Street (800) 843-4288 Toll Free  
 Rock Rapids, IA 51246 (712) 472-4725

PROPOSAL FOR: SAN BERNARDINO COUNTY

<b>CUSTOMER APPROVED BY:</b>		<b>PAINT CODE:</b>
VEHICLE TYPE: HAZMAT	CHASSIS: FORD F-550 CREW CAB 4 X 4	BODY MAT'L: ALUMINUM
VIEW: STREETSIDE COMPARTMENT LAYOUT	BODY LENGTH: 118"	APPROVED BY:
SCALE: NTS	BODY STYLE:	REVISION:
DRAWN BY: NRW	DATE: 12/21/2016	
DWG NO.: SANBERNARDINOHAZMAT		



**Maintainer** *mcbfire.com*  
**Custom Bodies, Inc.**  
 909 South East Street (800) 843-4288 Toll Free  
 Rock Rapids, IA 51246 (712) 472-4725

PROPOSAL FOR: SAN BERNARDINO COUNTY

<b>CUSTOMER APPROVED BY:</b>		<b>PAINT CODE:</b>
VEHICLE TYPE: HAZMAT	CHASSIS: FORD F-550 CREW CAB 4 X 4	BODY MAT'L: ALUMINUM
VIEW: CURBSIDE COMPARTMENT LAYOUT	SCALE: NTS	BODY LENGTH: 118"
DRAWN BY: NRW	DATE: 12/21/2016	APPROVED BY:
DWG NO.: SANBERNARDINOHAZMAT	REVISION:	BODY STYLE: