

Maintainer Custom Bodies, Inc.

909 South East Street
Rock Rapids, IA 51246

800) 843-4288 Toll Free
712)472-4725 Phone

CUSTOMER APPROVED BY:

VEHICLE TYPE: RESCUE

VIEW: STREETSIDE

SCALE: NTS

DRAWN BY: NRW

DATE: 10/25/2013

DWG NO.: RAMDEMO

CHASSIS: RAM 5500 CREW CAB 4X4

BODY MAT'L: ALUMINUM

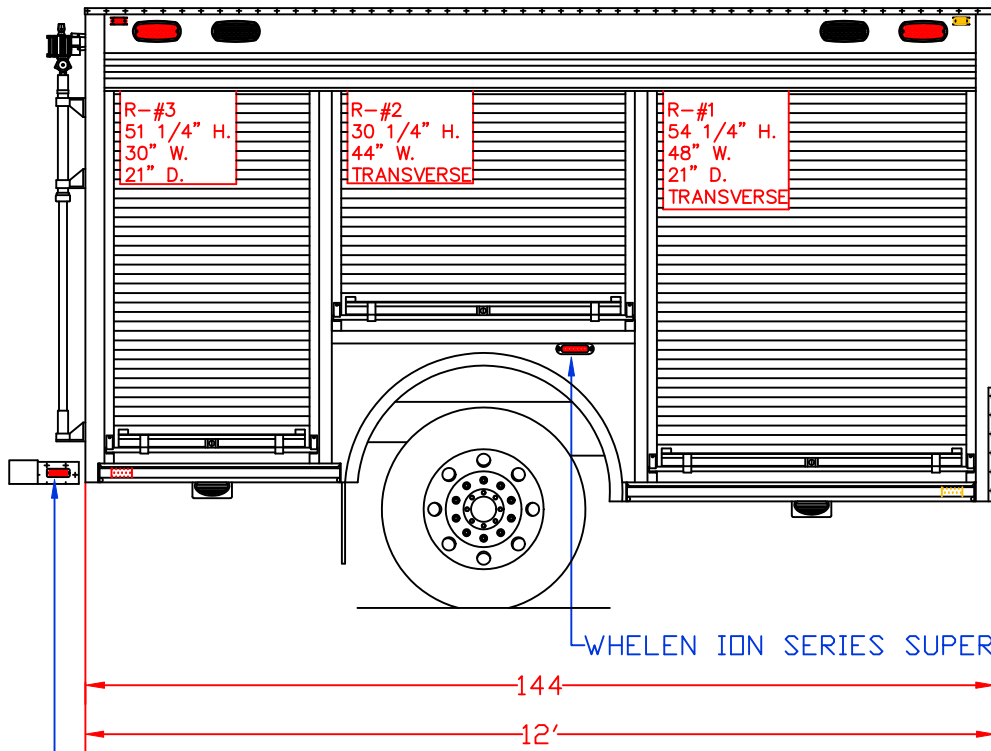
BODY LENGTH: 144"

APPROVED BY:

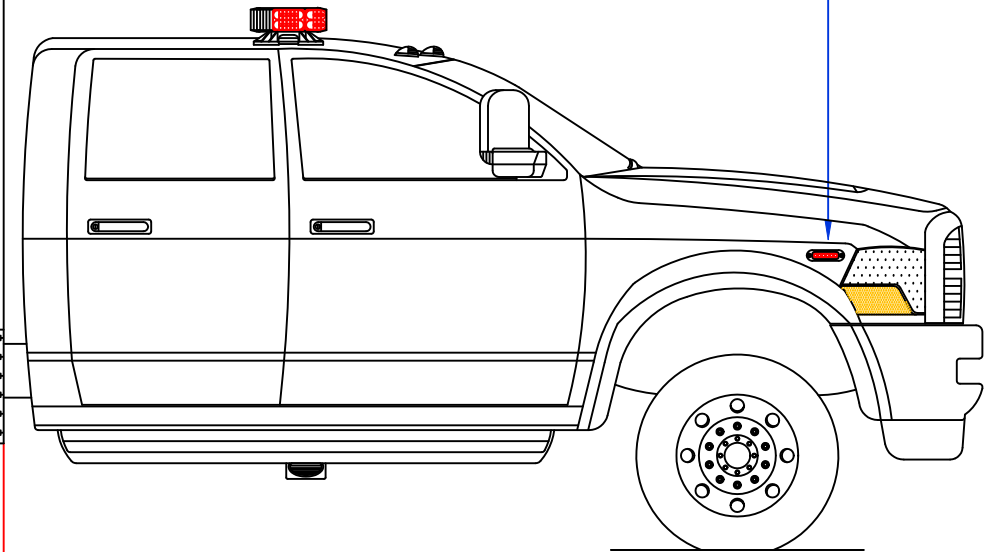
BODY STYLE:

REVISION:

PROPOSAL FOR: RAM DEMO



WHELEN ION SERIES SUPER LED WARNING LIGHT



WHELEN ION SERIES SUPER LED WARNING LIGHT

WHELEN LIN3 SUPER LED WARNING LIGHT

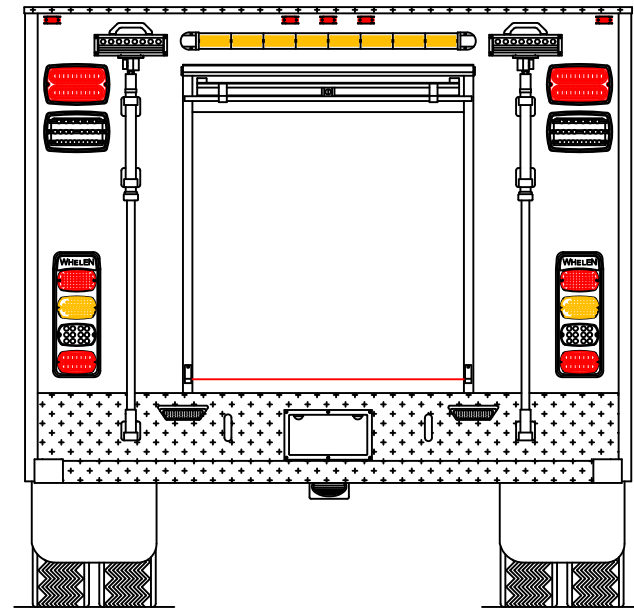
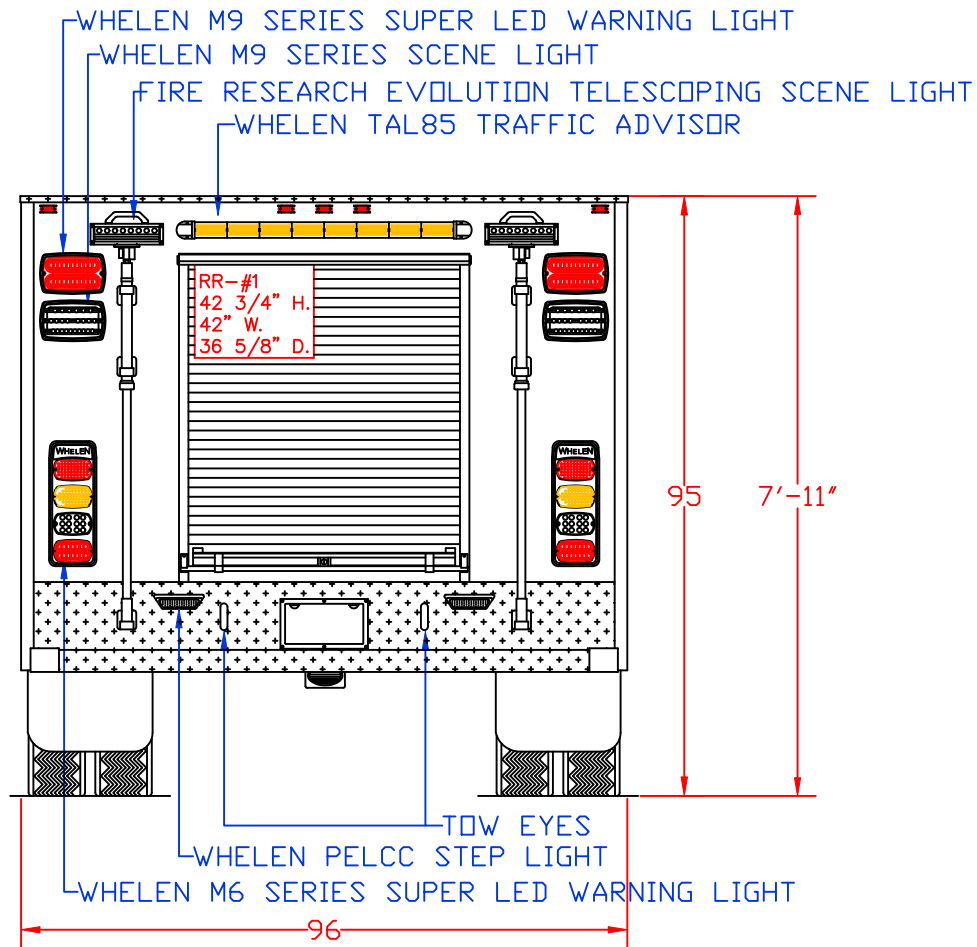
CUSTOMER APPROVED BY:

VEHICLE TYPE: RESCUE	CHASSIS: RAM 5500 CREW CAB 4X4
VIEW: CURBSIDE	BODY MAT'L: ALUMINUM
SCALE: NTS	BODY LENGTH: 144"
DRAWN BY: NRW	APPROVED BY:
DATE: 10/25/2013	BODY STYLE:
DWG NO.: RAMDEMO	REVISION:



Maintainer Custom Bodies, Inc.
 909 South East Street
 Rock Rapids, IA 51246
 800) 843-4288 Toll Free
 712) 472-4725 Phone

PROPOSAL FOR: RAM DEMO

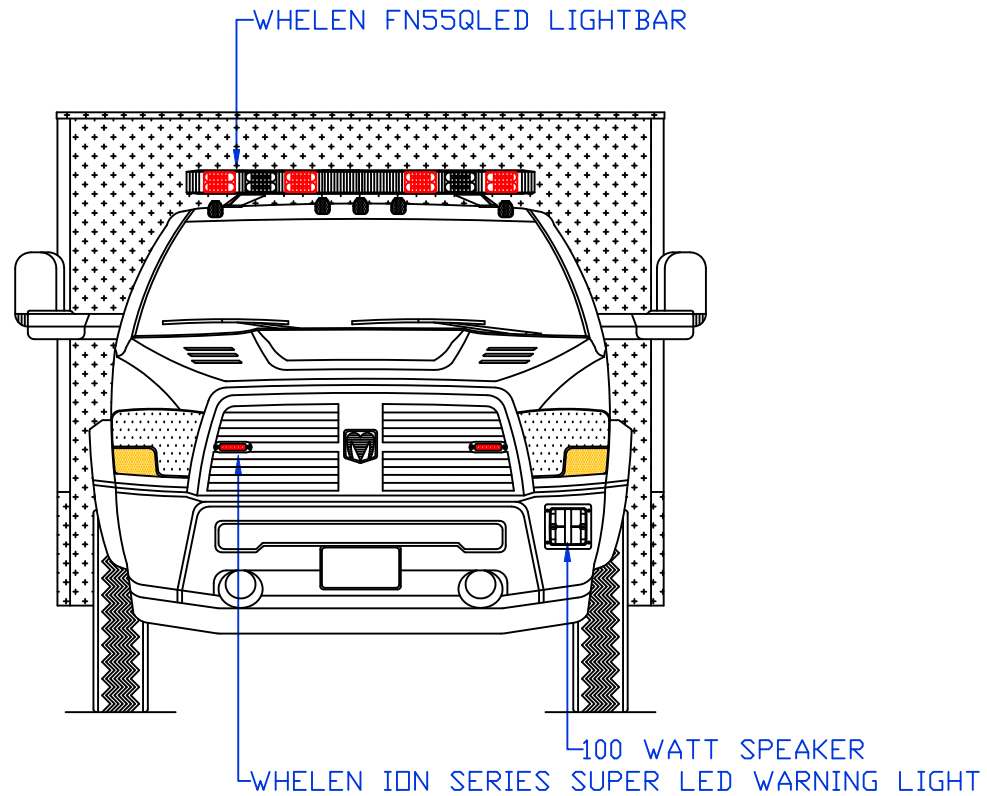


Maintainer Custom Bodies, Inc.
 909 South East Street
 Rock Rapids, IA 51246
 800) 843-4288 Toll Free
 712)472-4725 Phone

CUSTOMER APPROVED BY:

VEHICLE TYPE: RESCUE	CHASSIS: RAM 5500 CREW CAB 4X4
VIEW: REAR & REAR COMPARTMENT LAYOUT	BODY MAT'L: ALUMINUM
SCALE: NTS	BODY LENGTH: 144"
DRAWN BY: NRW	APPROVED BY:
DATE: 10/25/2013	BODY STYLE:
DWG NO.: RAMDEMO	REVISION:

PROPOSAL FOR: RAM DEMO



CUSTOMER APPROVED BY:

VEHICLE TYPE: RESCUE	CHASSIS: RAM 5500 CREW CAB 4X4
VIEW: FRONT	BODY MAT'L: ALUMINUM
SCALE: NTS	BODY LENGTH: 144"
DRAWN BY: NRW	APPROVED BY:
DATE: 10/25/2013	BODY STYLE:
DWG NO.: RAMDEMO	REVISION:

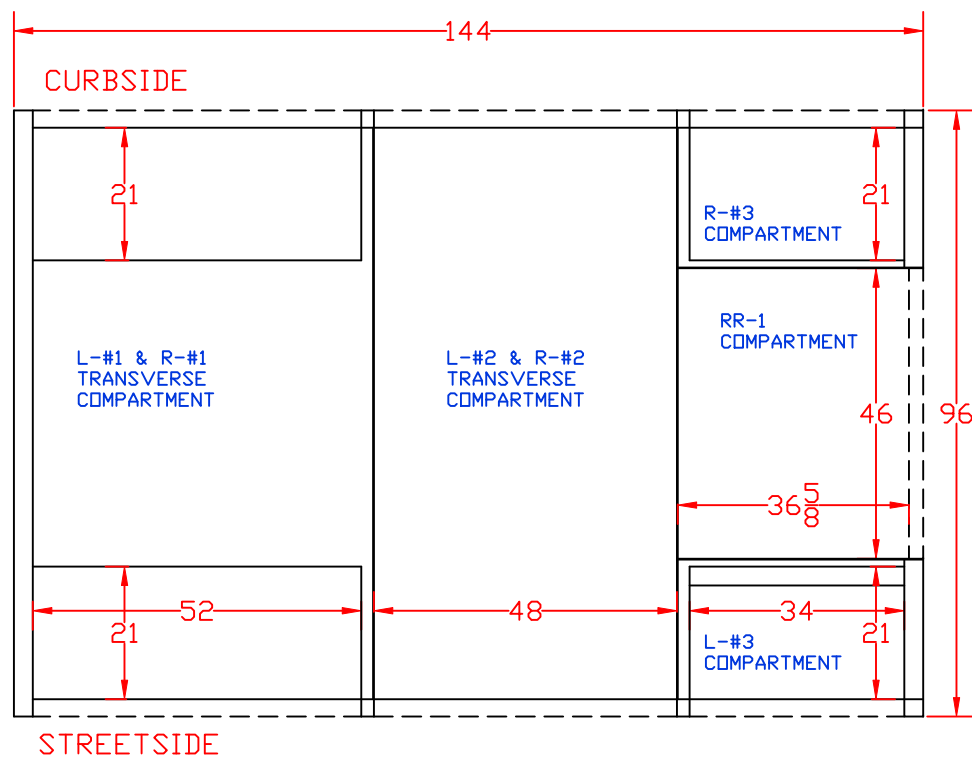
Maintainer Custom Bodies, Inc.

909 South East Street
Rock Rapids, IA 51246

800) 843-4288 Toll Free
712) 472-4725 Phone



PROPOSAL FOR: RAM DEMO

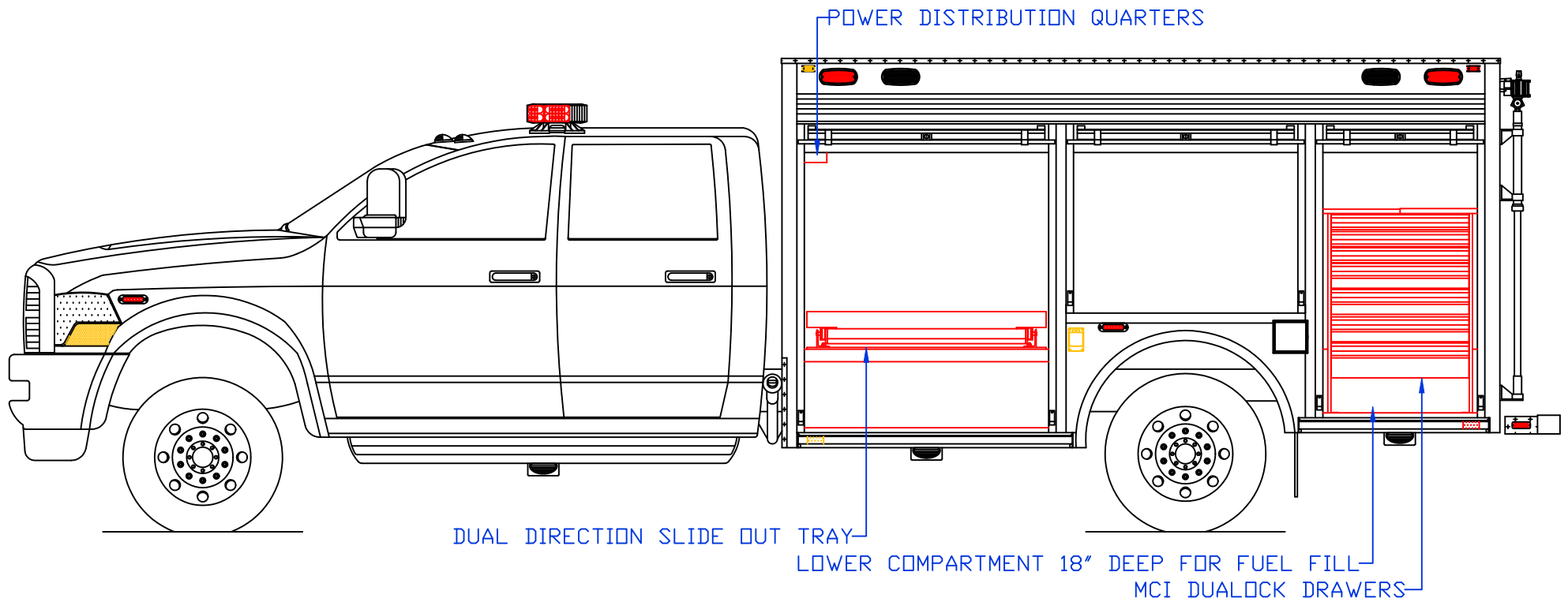


Maintainer Custom Bodies, Inc.
 909 South East Street
 Rock Rapids, IA 51246
 800) 843-4288 Toll Free
 712)472-4725 Phone

CUSTOMER APPROVED BY: _____

VEHICLE TYPE: RESCUE	CHASSIS: RAM 5500 CREW CAB 4X4
VIEW: TOP	BODY MAT'L: ALUMINUM
SCALE: NTS	BODY LENGTH: 144"
DRAWN BY: NRW	APPROVED BY:
DATE: 10/25/2013	BODY STYLE:
DWG NO.: RAMDEMO	REVISION:

PROPOSAL FOR: RAM DEMO



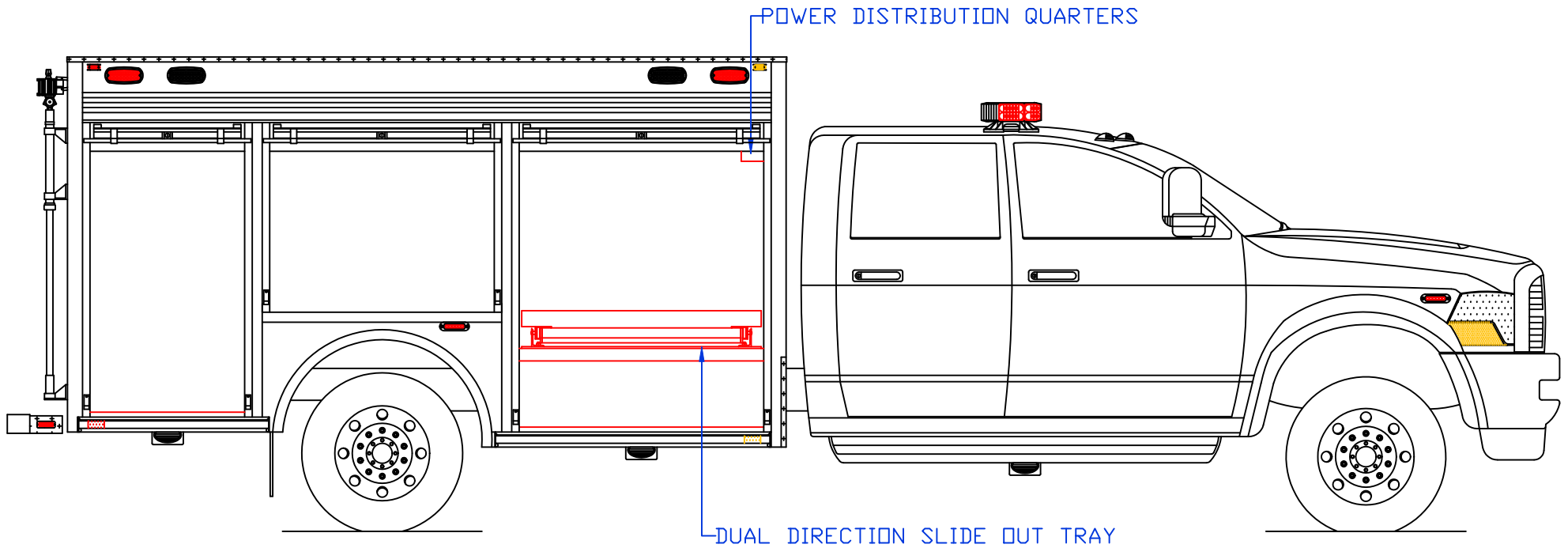
CUSTOMER APPROVED BY:

VEHICLE TYPE: RESCUE	CHASSIS: RAM 5500 CREW CAB 4X4
VIEW: STREETSIDE COMPARTMENT LAYOUT	BODY MAT'L: ALUMINUM
SCALE: NTS	BODY LENGTH: 144"
DRAWN BY: NRW	APPROVED BY:
DATE: 10/25/2013	BODY STYLE:
DWG NO.: RAMDEMO	REVISION:

Maintainer Custom Bodies, Inc.
 909 South East Street
 Rock Rapids, IA 51246
 800) 843-4288 Toll Free
 712) 472-4725 Phone



PROPOSAL FOR: RAM DEMO



Maintainer Custom Bodies, Inc.
 909 South East Street
 Rock Rapids, IA 51246
 800) 843-4288 Toll Free
 712)472-4725 Phone

CUSTOMER APPROVED BY: _____

VEHICLE TYPE: RESCUE	CHASSIS: RAM 5500 CREW CAB 4X4
VIEW: CURBSIDE COMPARTMENT LAYOUT	BODY MAT'L: ALUMINUM
SCALE: NTS	BODY LENGTH: 144"
DRAWN BY: NRW	APPROVED BY:
DATE: 10/25/2013	BODY STYLE:
DWG NO.: RAMDEMO	REVISION:

PROPOSAL FOR: RAM DEMO