

WARD APPARATUS

1250 SCHWEIZER ROAD PHONE (607) 796-0149
HORSEHEADS, NY 14845 FAX (607) 739-7092

CUSTOMER APPROVED BY:

VEHICLE TYPE: SIX

VIEW: STREETSIDE

SCALE: NTS

DRAWN BY: NRW

DATE: 5/5/2022

DWG NO.: PULLMANFIREDEPT

CHASSIS: FORD F-550 CREW CAB 4X4

BODY MAT'L: ALUMINUM

BODY LENGTH: 121"

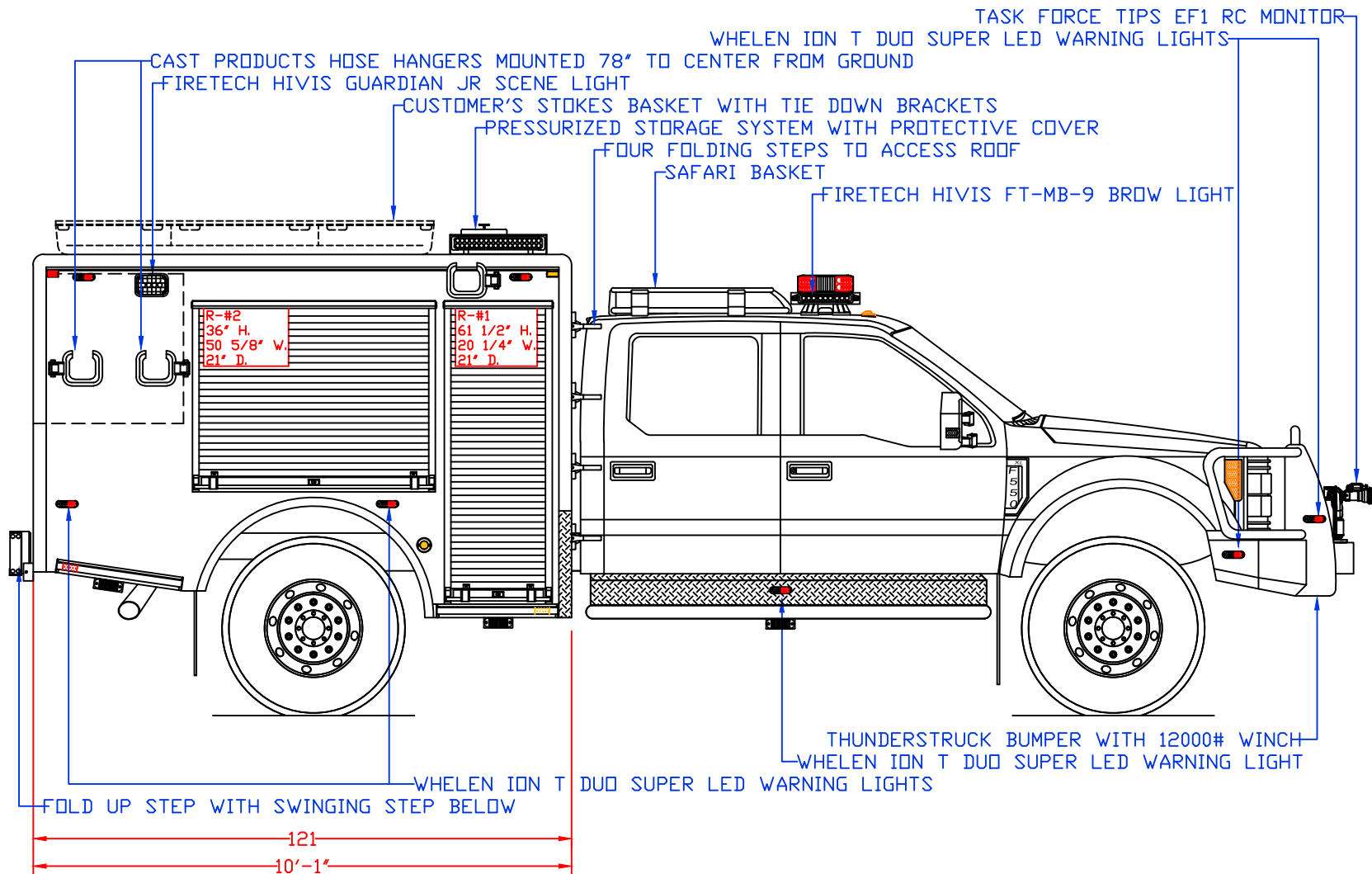
APPROVED BY:

BODY STYLE:

REVISION:

PULLMAN FIRE DEPARTMENT

NOTE: ALL DIMENSIONS ARE APPROXIMATE



WARD APPARATUS

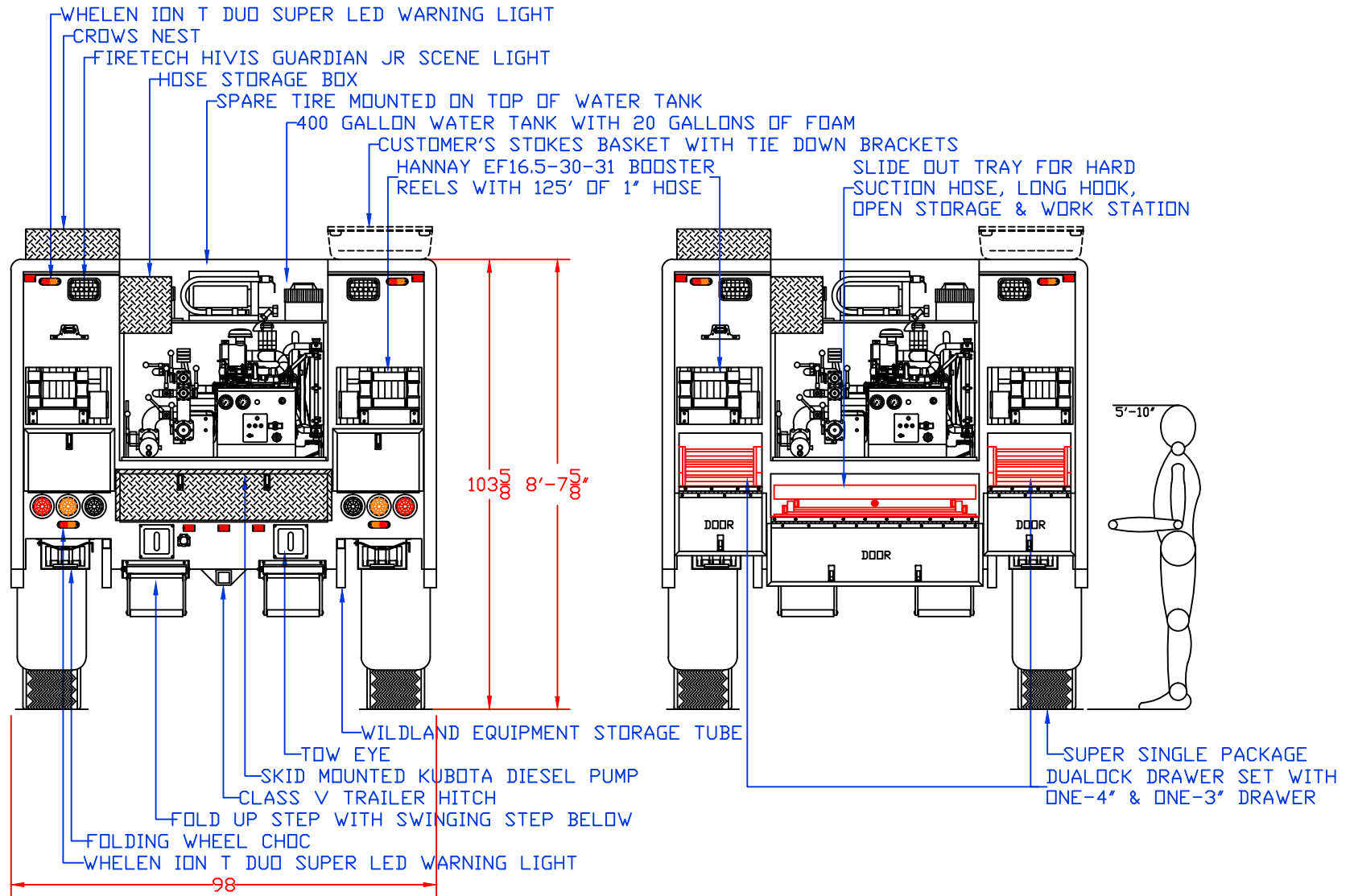
1250 SCHWEIZER ROAD PHONE (607) 796-0149
 HORSEHEADS, NY 14845 FAX (607) 739-7092

CUSTOMER APPROVED BY:

VEHICLE TYPE: SIX	CHASSIS: FORD F-550 CREW CAB 4X4
VIEW: CURBSIDE	BODY MAT'L: ALUMINUM
SCALE: NTS	BODY LENGTH: 121"
DRAWN BY: NRW	APPROVED BY:
DATE: 5/5/2022	BODY STYLE:
DWG NO.: PULLMANFIREDEPT	REVISION:

PULLMAN FIRE DEPARTMENT

NOTE: ALL DIMENSIONS ARE APPROXIMATE



WARD APPARATUS

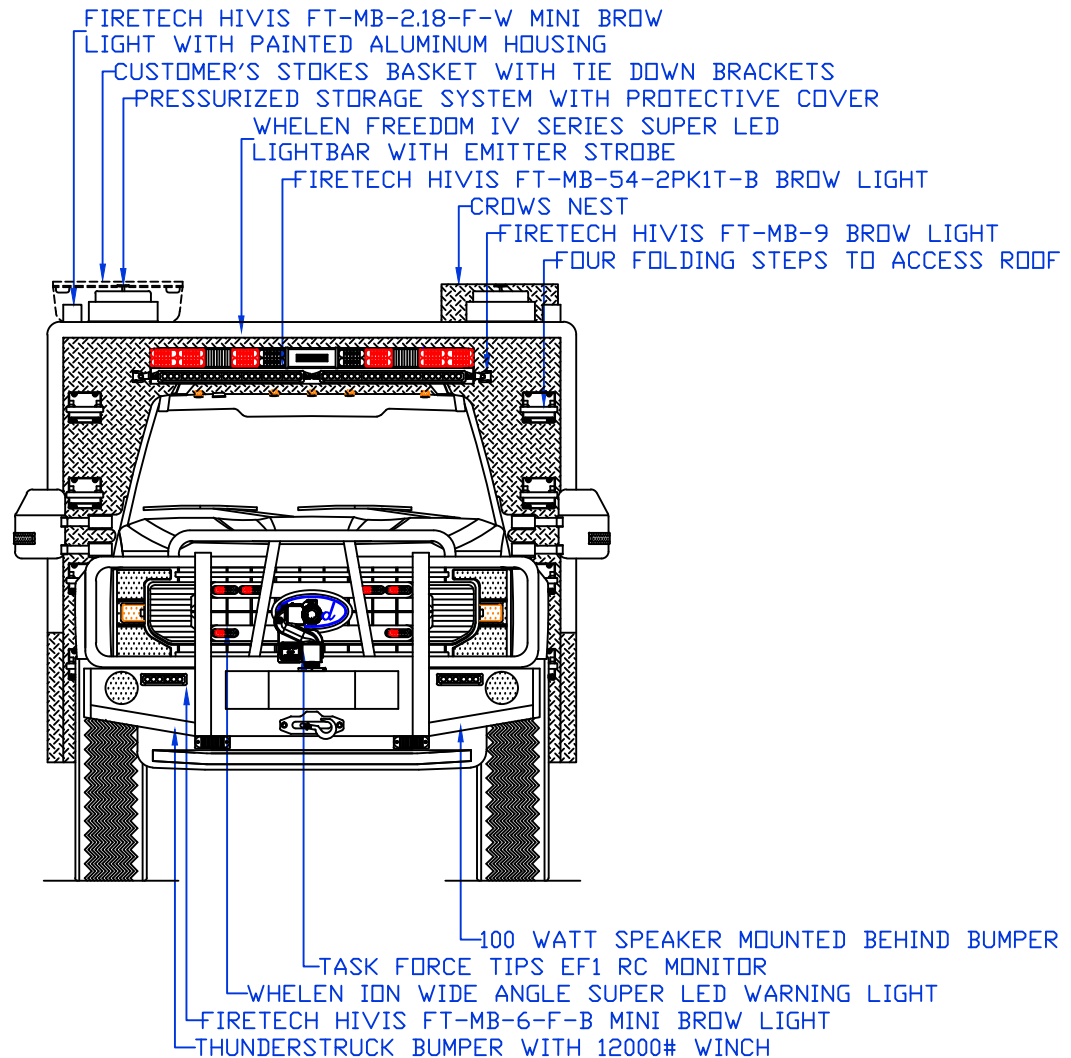
1250 SCHWEIZER ROAD PHONE (607) 796-0149
 HORSEHEADS, NY 14845 FAX (607) 739-7092

PULLMAN FIRE DEPARTMENT

CUSTOMER APPROVED BY:

VEHICLE TYPE: SIX	CHASSIS: FORD F-550 CREW CAB 4X4
VIEW: REAR & REAR COMPARTMENT LAYOUT	BODY MAT'L: ALUMINUM
SCALE: NTS	BODY LENGTH: 121"
DRAWN BY: NRW	APPROVED BY:
DATE: 5/5/2022	BODY STYLE:
DWG NO.: PULLMANFIREDEPT	REVISION:

NOTE: ALL DIMENSIONS ARE APPROXIMATE



WARD APPARATUS

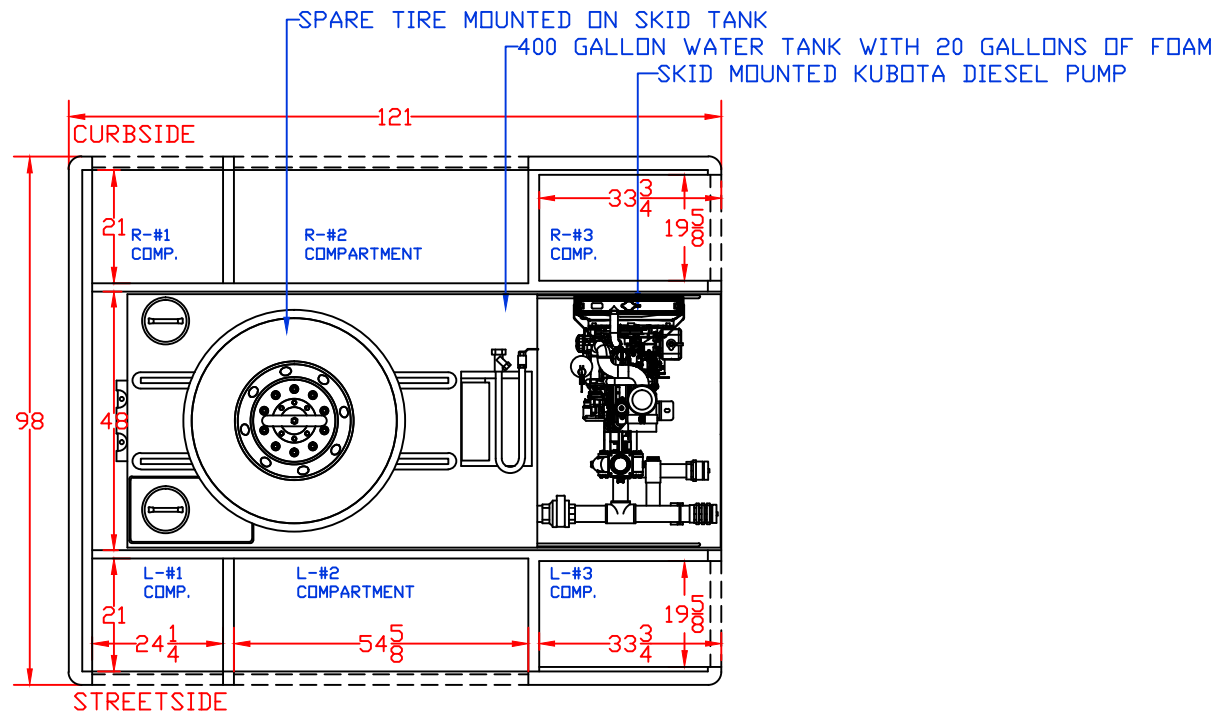
1250 SCHWEIZER ROAD PHONE (607) 796-0149
 HORSEHEADS, NY 14845 FAX (607) 739-7092

CUSTOMER APPROVED BY:

VEHICLE TYPE: SIX	CHASSIS: FORD F-550 CREW CAB 4X4
VIEW: FRONT	BODY MAT'L: ALUMINUM
SCALE: NTS	BODY LENGTH: 121"
DRAWN BY: NRW	APPROVED BY:
DATE: 5/5/2022	BODY STYLE:
DWG NO.: PULLMANFIREDEPT	REVISION:

PULLMAN FIRE DEPARTMENT

NOTE: ALL DIMENSIONS ARE APPROXIMATE



WARD APPARATUS

1250 SCHWEIZER ROAD PHONE (607) 796-0149
 HORSEHEADS, NY 14845 FAX (607) 739-7092

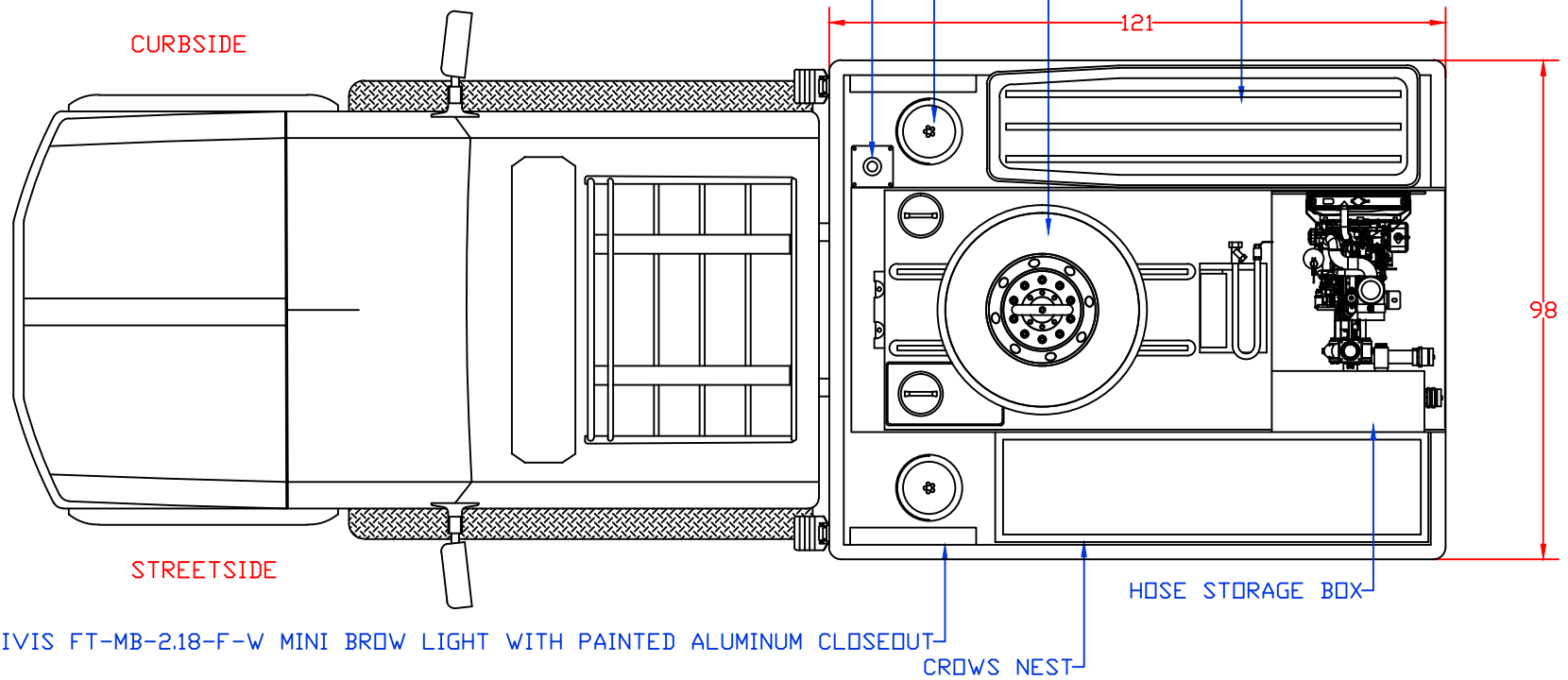
CUSTOMER APPROVED BY:

VEHICLE TYPE: SIX	CHASSIS: FORD F-550 CREW CAB 4X4
VIEW: TOP	BODY MAT'L: ALUMINUM
SCALE: NTS	BODY LENGTH: 121"
DRAWN BY: NRW	APPROVED BY:
DATE: 5/5/2022	BODY STYLE:
DWG NO.: PULLMANFIREDEPT	REVISION:

PULLMAN FIRE DEPARTMENT

NOTE: ALL DIMENSIONS ARE APPROXIMATE

CUSTOMER'S STOKES BASKET WITH TIE DOWN BRACKETS
 SPARE TIRE MOUNTED ON SKID TANK
 PRESSURIZED STORAGE SYSTEM WITH EXTRA GUARD
 FLUSH MOUNTED BASE FOR TIRE CRANE RECESSED IN R-#1 COMPARTMENT



WARD APPARATUS

1250 SCHWEIZER ROAD PHONE (607) 796-0149
 HORSEHEADS, NY 14845 FAX (607) 739-7092

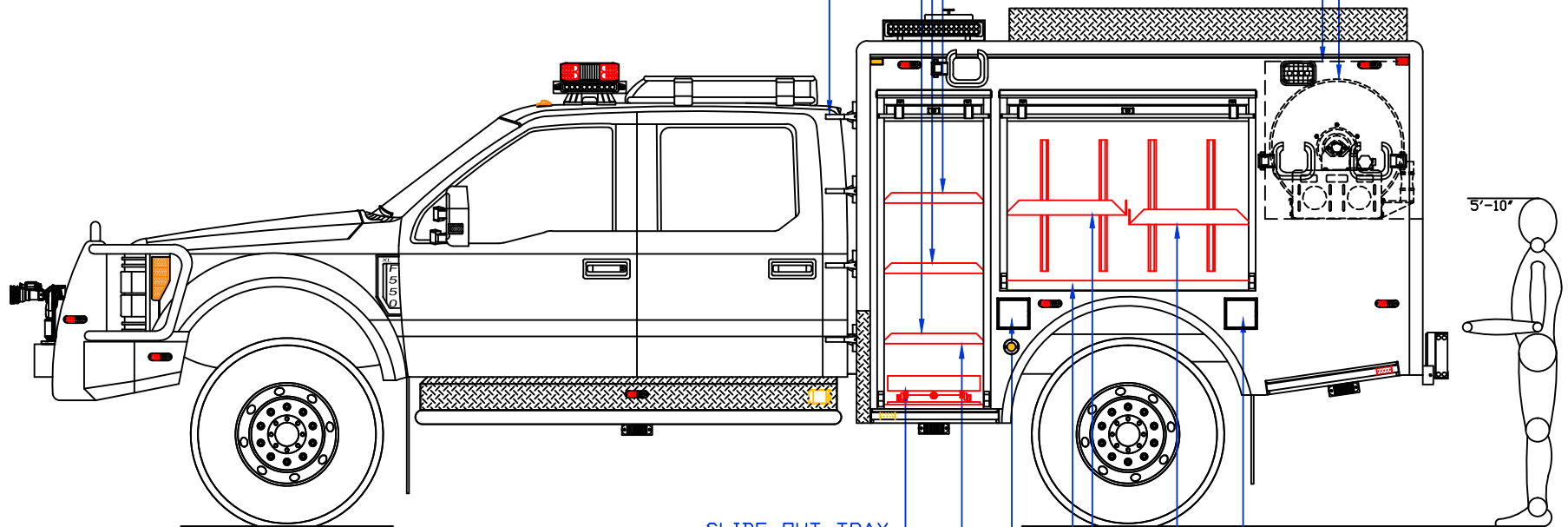
PULLMAN FIRE DEPARTMENT

CUSTOMER APPROVED BY:

VEHICLE TYPE: SIX	CHASSIS: FORD F-550 CREW CAB 4X4
VIEW: ROOF	BODY MAT'L: ALUMINUM
SCALE: NTS	BODY LENGTH: 121"
DRAWN BY: NRW	APPROVED BY:
DATE: 5/5/2022	BODY STYLE:
DWG NO.: PULLMANFIREDEPT	REVISION:

NOTE: ALL DIMENSIONS ARE APPROXIMATE

HANNAY EF16.5-30-31 BOOSTER REEL WITH 125' OF 1" HOSE
 DASHED LINE IS REEL COMPARTMENT CUTOUT OPENING INSIDE TANK & PUMP COMPARTMENT TO MOUNT REEL
 FOUR FOLDING STEPS TO ACCESS ROOF
 ADJUSTABLE SHELVES



SLIDE OUT TRAY
 STREAMLIGHT VULCAN 180 BOX LIGHT (LOCATION IN COMPARTMENT TO BE DETERMINED)
 DIESEL EXHAUST FLUID FILL
 "L" SHAPED 2" LIP MOUNTED TO FLOOR
 ADJUSTABLE SHELVES WITH 3" LIPS (DIMENSIONS TO BE DETERMINED)
 DIESEL FUEL FILL



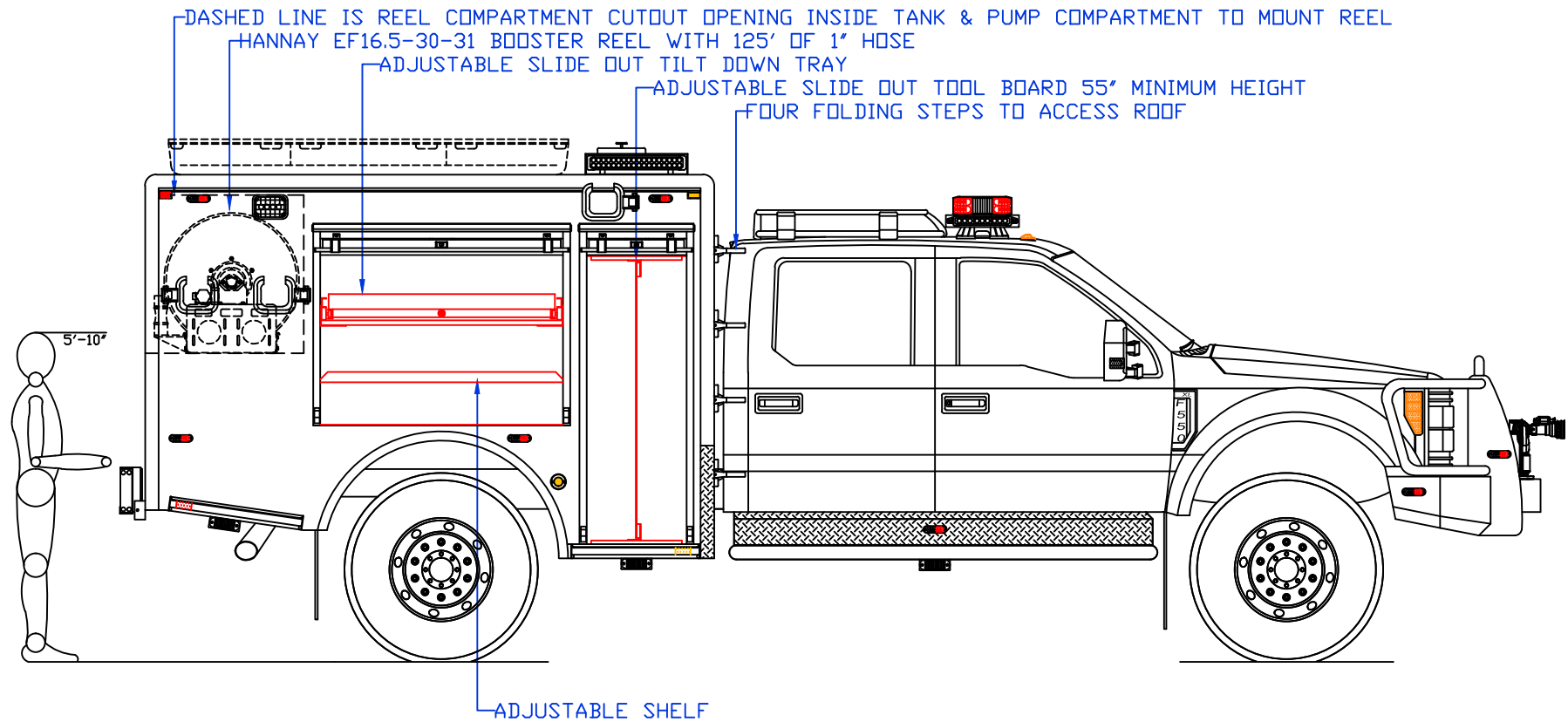
WARD APPARATUS
 1250 SCHWEIZER ROAD PHONE (607) 796-0149
 HORSEHEADS, NY 14845 FAX (607) 739-7092

CUSTOMER APPROVED BY:

VEHICLE TYPE: SIX	CHASSIS: FORD F-550 CREW CAB 4X4
VIEW: STREETSIDE COMPARTMENT LAYOUT	BODY MAT'L: ALUMINUM
SCALE: NTS	BODY LENGTH: 121"
DRAWN BY: NRW	APPROVED BY:
DATE: 5/5/2022	BODY STYLE:
DWG NO.: PULLMANFIREDEPT	REVISION:

PULLMAN FIRE DEPARTMENT

NOTE: ALL DIMENSIONS ARE APPROXIMATE



WARD APPARATUS

1250 SCHWEIZER ROAD PHONE (607) 796-0149
 HORSEHEADS, NY 14845 FAX (607) 739-7092

PULLMAN FIRE DEPARTMENT

CUSTOMER APPROVED BY:

VEHICLE TYPE: SIX	CHASSIS: FORD F-550 CREW CAB 4X4
VIEW: CURBSIDE COMPARTMENT LAYOUT	BODY MAT'L: ALUMINUM
SCALE: NTS	BODY LENGTH: 121"
DRAWN BY: NRW	APPROVED BY:
DATE: 5/5/2022	BODY STYLE:
DWG NO.: PULLMANFIREDEPT	REVISION:

NOTE: ALL DIMENSIONS ARE APPROXIMATE