

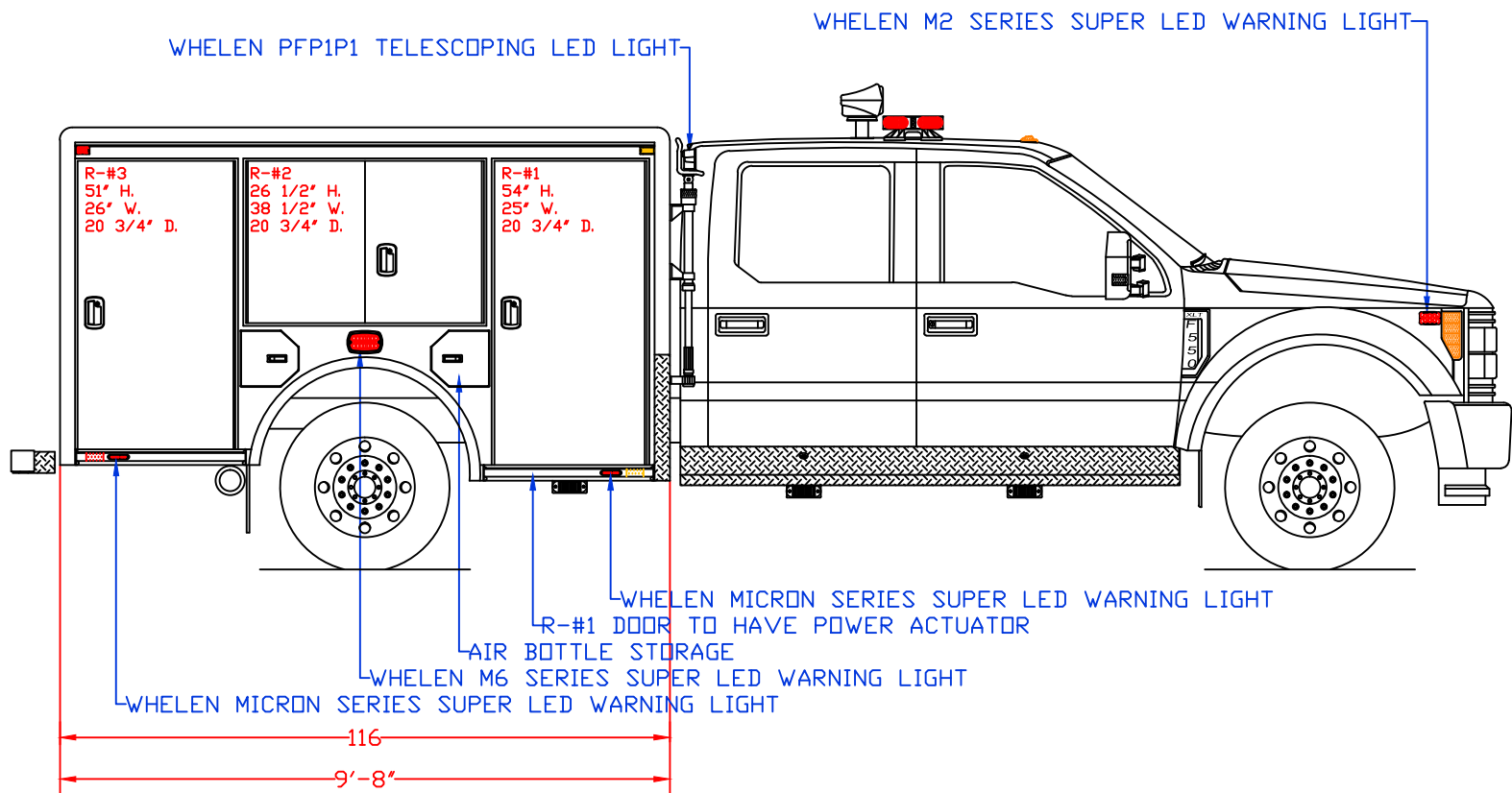
**WARD APPARATUS**  
1250 SCHWEIZER ROAD    PHONE (607) 796-0149  
HORSEHEADS, NY 14845    FAX (607) 739-7092

**CUSTOMER APPROVED BY:**

VEHICLE TYPE:PARAMEDIC	CHASSIS: FORD F-550 CREW CAB 4X4
VIEW: STREETSIDE	BODY MAT'L: ALUMINUM
SCALE: NTS	BODY LENGTH:116"
DRAWN BY: NRW	APPROVED BY:
DATE: 1/24/2023	BODY STYLE:
DWG NO.: SANBERNARDINOPARAMEDIC	REVISION:

SAN BERNARDINO COUNTY FIRE DEPARTMENT

NOTE: ALL DIMENSIONS ARE APPROXIMATE



**WARD APPARATUS**

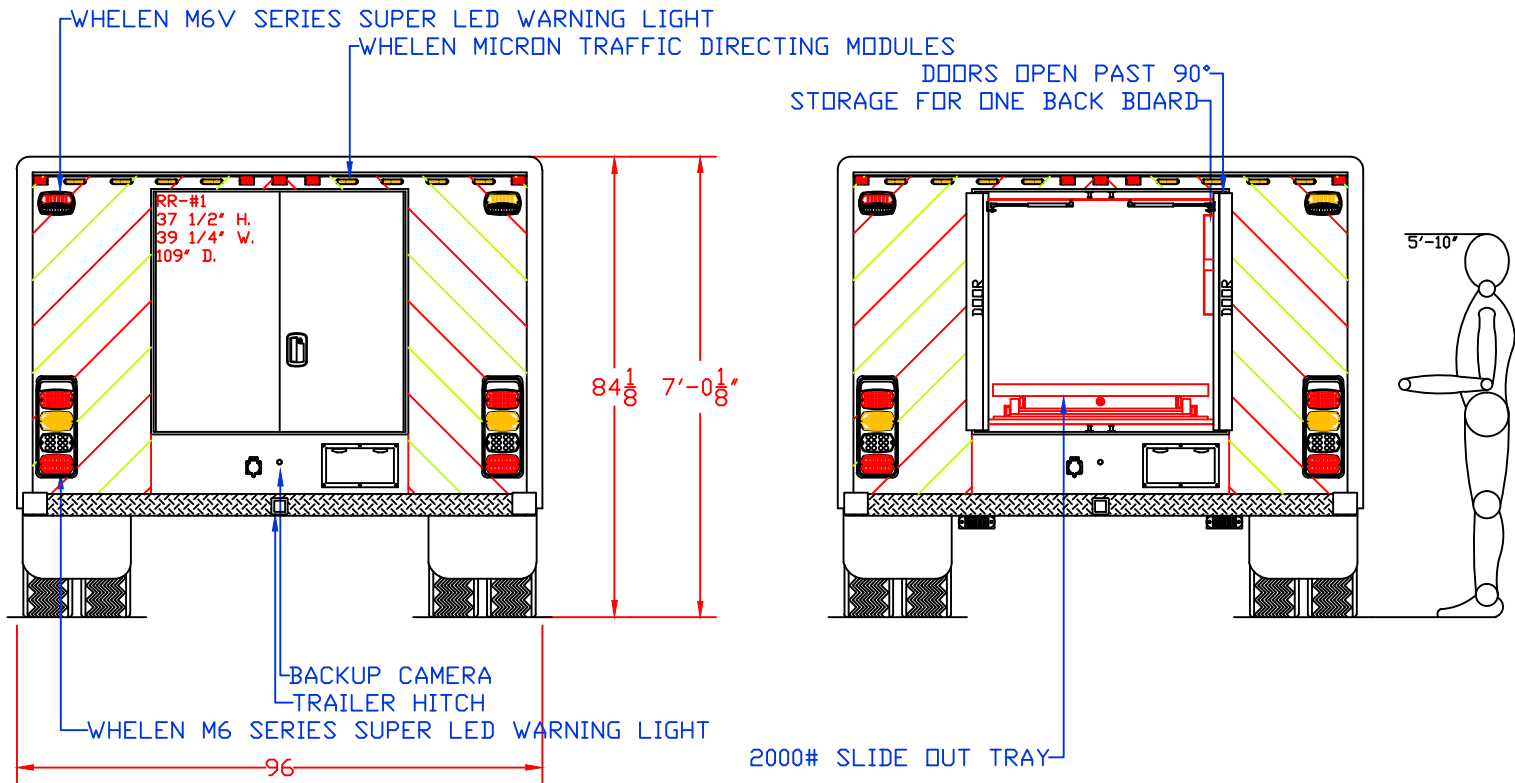
1250 SCHWEIZER ROAD PHONE (607) 796-0149  
HORSEHEADS, NY 14845 FAX (607) 739-7092

SAN BERNARDINO COUNTY FIRE DEPARTMENT

**CUSTOMER APPROVED BY:**

VEHICLE TYPE:PARAMEDIC	CHASSIS: FORD F-550 CREW CAB 4X4
VIEW: CURBSIDE	BODY MAT'L: ALUMINUM
SCALE: NTS	BODY LENGTH:116"
DRAWN BY: NRW	APPROVED BY:
DATE: 1/24/2023	BODY STYLE:
DWG NO.: SANBERNARDINOPARAMEDIC	REVISION:

NOTE: ALL DIMENSIONS ARE APPROXIMATE



**WARD APPARATUS**

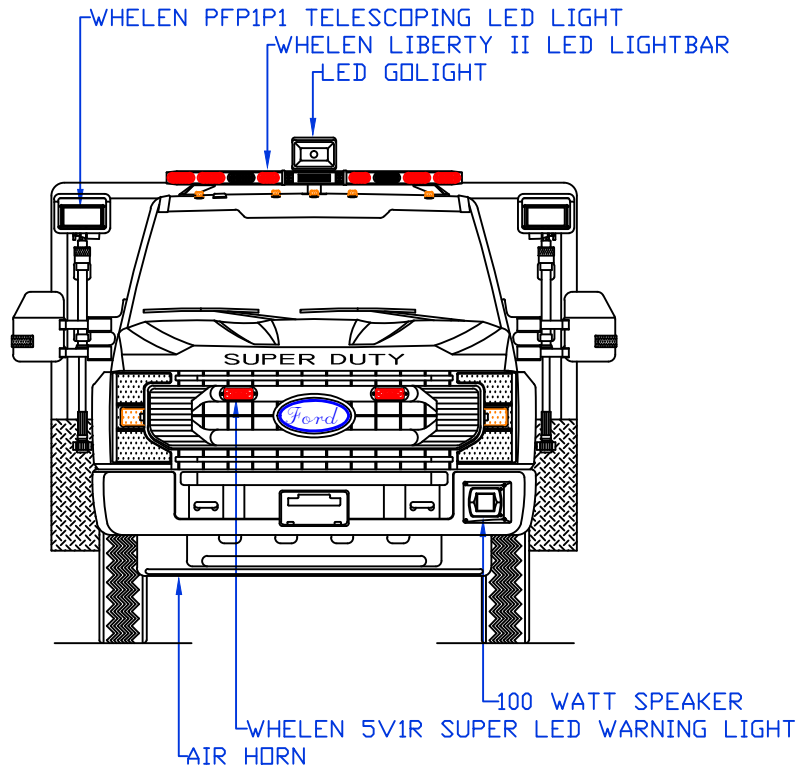
1250 SCHWEIZER ROAD PHONE (607) 796-0149  
 HORSEHEADS, NY 14845 FAX (607) 739-7092

**CUSTOMER APPROVED BY:**

VEHICLE TYPE:PARAMEDIC	CHASSIS: FORD F-550 CREW CAB 4X4
VIEW: REAR & REAR COMPARTMENT LAYOUT	BODY MAT'L: ALUMINUM
SCALE: NTS	BODY LENGTH:116"
DRAWN BY: NRW	APPROVED BY:
DATE: 1/24/2023	BODY STYLE:
DWG NO.: SANBERNARDINOPARAMEDIC	REVISION:

SAN BERNARDINO COUNTY FIRE DEPARTMENT

NOTE: ALL DIMENSIONS ARE APPROXIMATE



**WARD APPARATUS**

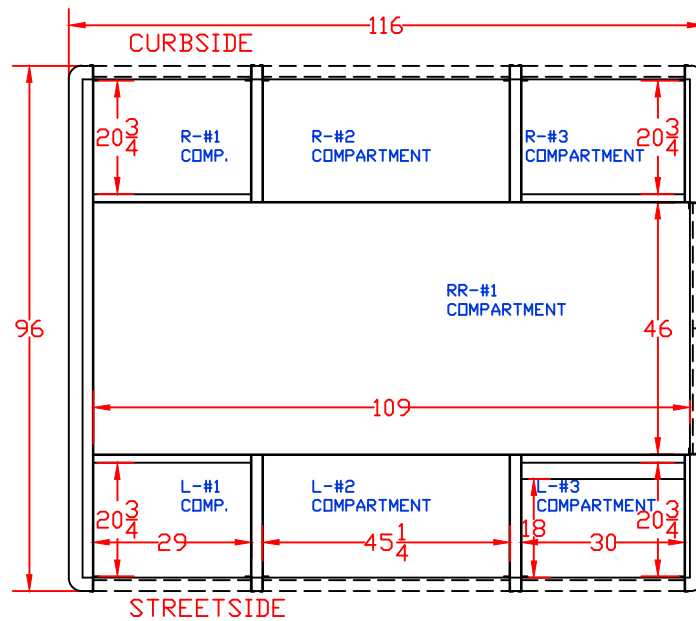
1250 SCHWEIZER ROAD PHONE (607) 796-0149  
 HORSEHEADS, NY 14845 FAX (607) 739-7092

SAN BERNARDINO COUNTY FIRE DEPARTMENT

**CUSTOMER APPROVED BY:**

VEHICLE TYPE:PARAMEDIC	CHASSIS: FORD F-550 CREW CAB 4X4
VIEW: FRONT	BODY MAT'L: ALUMINUM
SCALE: NTS	BODY LENGTH:116"
DRAWN BY: NRW	APPROVED BY:
DATE: 1/24/2023	BODY STYLE:
DWG NO.: SANBERNARDINOPARAMEDIC	REVISION:

*NOTE: ALL DIMENSIONS ARE APPROXIMATE*



**WARD APPARATUS**

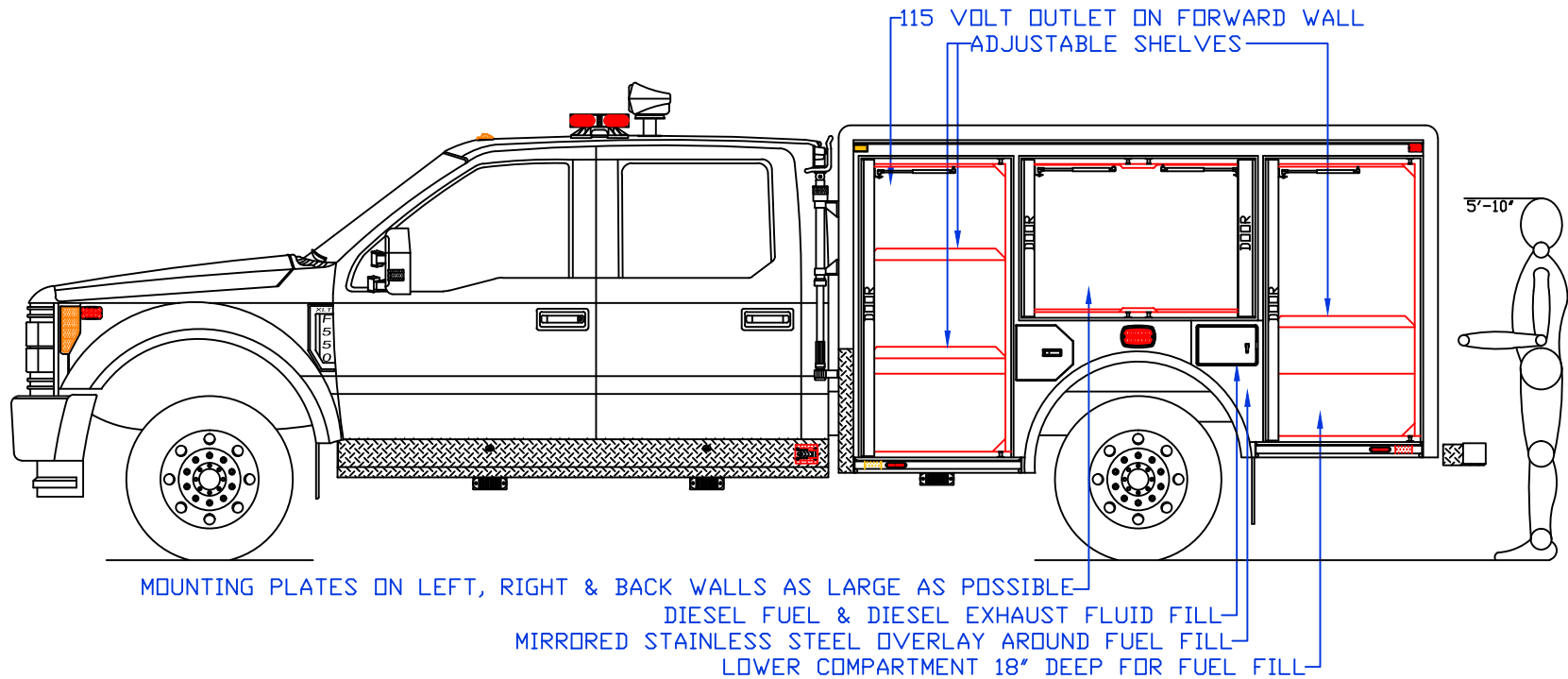
1250 SCHWEIZER ROAD PHONE (607) 796-0149  
 HORSEHEADS, NY 14845 FAX (607) 739-7092

SAN BERNARDINO COUNTY FIRE DEPARTMENT

CUSTOMER APPROVED BY:

VEHICLE TYPE:PARAMEDIC	CHASSIS: FORD F-550 CREW CAB 4X4
VIEW: TOP	BODY MAT'L: ALUMINUM
SCALE: NTS	BODY LENGTH:116"
DRAWN BY: NRW	APPROVED BY:
DATE: 1/24/2023	BODY STYLE:
DWG NO.: SANBERNARDINOPARAMEDIC	REVISION:

NOTE: ALL DIMENSIONS ARE APPROXIMATE



**WARD APPARATUS**

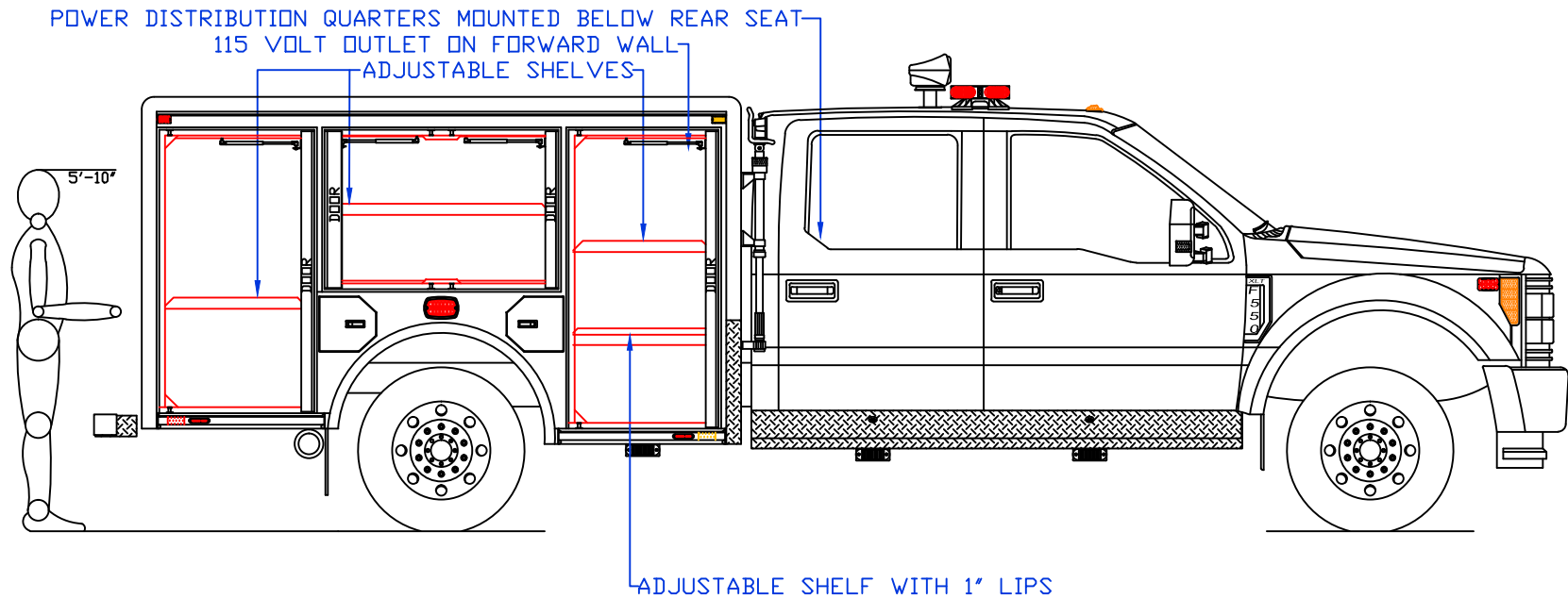
1250 SCHWEIZER ROAD    PHONE (607) 796-0149  
HORSEHEADS, NY 14845    FAX (607) 739-7092

SAN BERNARDINO COUNTY FIRE DEPARTMENT

**CUSTOMER APPROVED BY:**

VEHICLE TYPE:PARAMEDIC	CHASSIS: FORD F-550 CREW CAB 4X4
VIEW: STREETSIDE COMPARTMENT LAYOUT	BODY MAT'L: ALUMINUM
SCALE: NTS	BODY LENGTH:116"
DRAWN BY: NRW	APPROVED BY:
DATE: 1/24/2023	BODY STYLE:
DWG NO.: SANBERNARDINOPARAMEDIC	REVISION:

*NOTE: ALL DIMENSIONS ARE APPROXIMATE*



**WARD APPARATUS**

1250 SCHWEIZER ROAD PHONE (607) 796-0149  
 HORSEHEADS, NY 14845 FAX (607) 739-7092

SAN BERNARDINO COUNTY FIRE DEPARTMENT

**CUSTOMER APPROVED BY:**

VEHICLE TYPE:PARAMEDIC	CHASSIS: FORD F-550 CREW CAB 4X4
VIEW: CURBSIDE COMPARTMENT LAYOUT	BODY MAT'L: ALUMINUM
SCALE: NTS	BODY LENGTH:116"
DRAWN BY: NRW	APPROVED BY:
DATE: 1/24/2023	BODY STYLE:
DWG NO.: SANBERNARDINOPARAMEDIC	REVISION:

*NOTE: ALL DIMENSIONS ARE APPROXIMATE*