

WARD APPARATUS

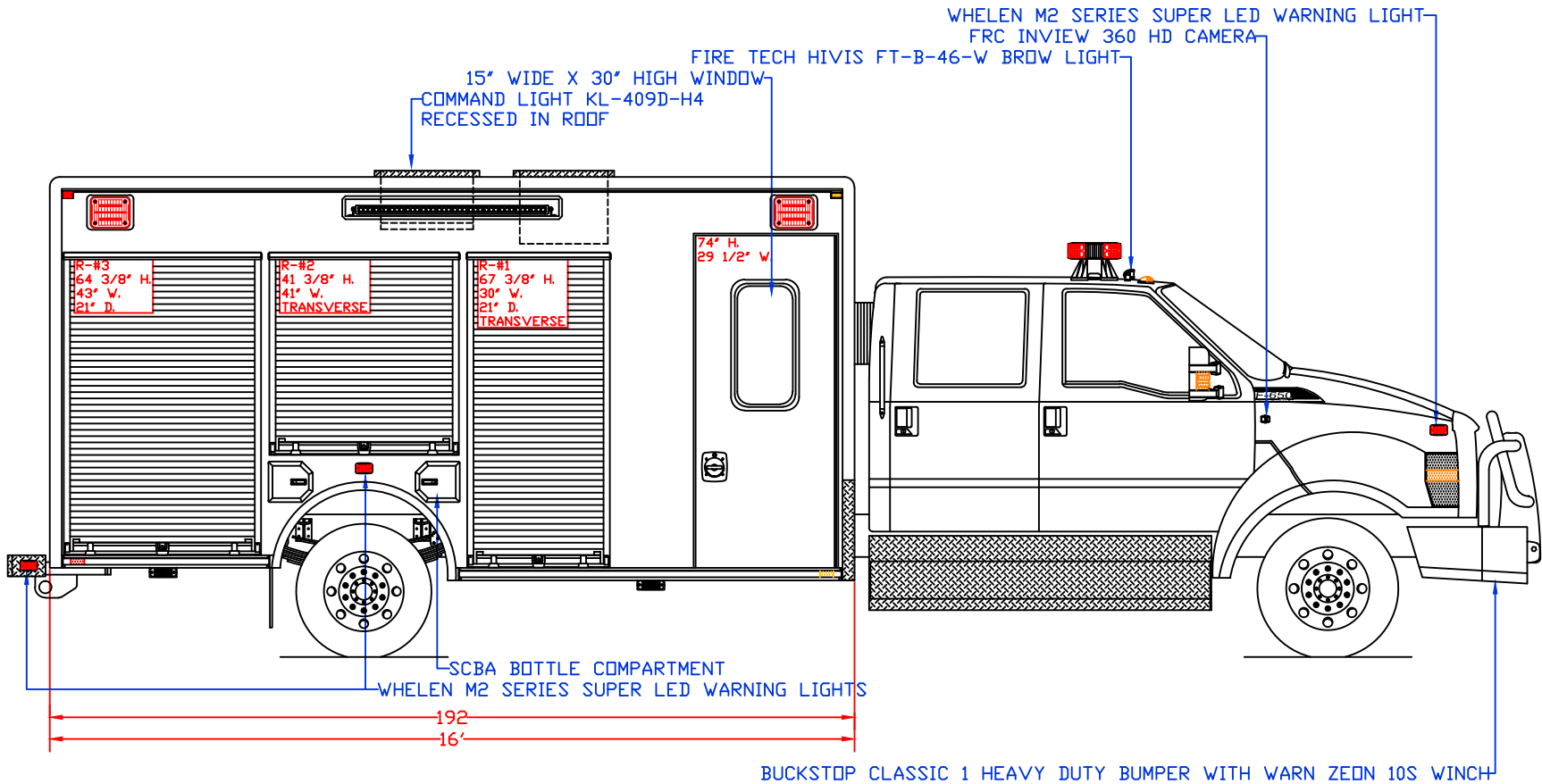
1250 SCHWEIZER ROAD PHONE (607) 796-0149
 HORSEHEADS, NY 14845 FAX (607) 739-7092

ATLAS TOWNSHIP

CUSTOMER APPROVED BY:

VEHICLE TYPE: CREW FORWARD RESCUE	CHASSIS: FORD F-850 CREW CAB 4X2
VIEW: STREETSIDE	BODY MAT'L: ALUMINUM
SCALE: NTS	BODY LENGTH: 192"
DRAWN BY: NRW	APPROVED BY:
DATE: 8/18/2022	BODY STYLE:
DWG NO.: ATLASTOWNSHIP	REVISION:

NOTE: ALL DIMENSIONS ARE APPROXIMATE



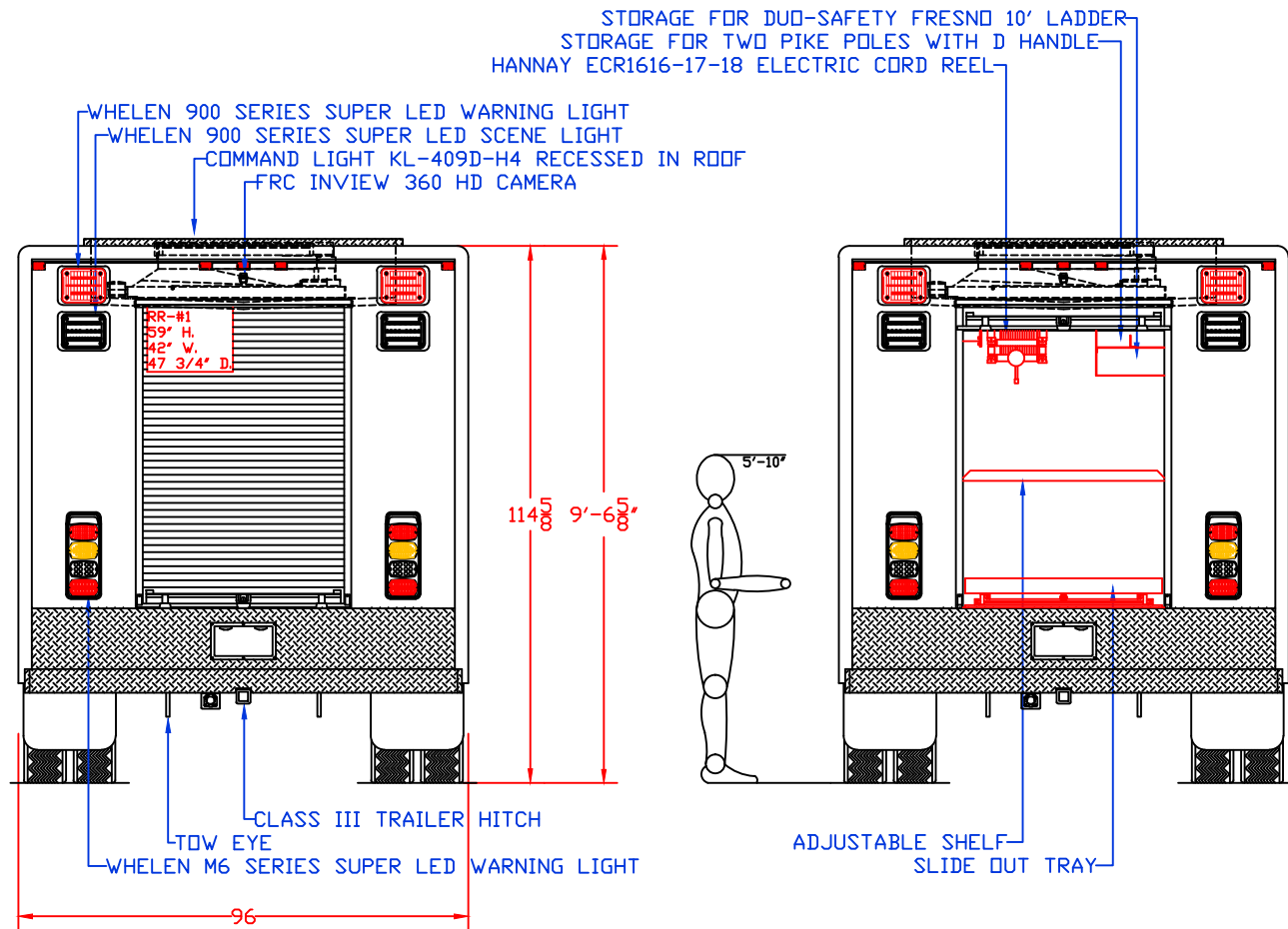
WARD APPARATUS
 1250 SCHWEIZER ROAD PHONE (607) 796-0149
 HORSEHEADS, NY 14845 FAX (607) 739-7092

CUSTOMER APPROVED BY:

VEHICLE TYPE: CREW FORWARD RESCUE	CHASSIS: FORD F-850 CREW CAB 4X2
VIEW: CURBSIDE	BODY MAT'L: ALUMINUM
SCALE: NTS	BODY LENGTH: 192"
DRAWN BY: NRW	APPROVED BY:
DATE: 8/18/2022	BODY STYLE:
DWG NO.: ATLASTOWNSHIP	REVISION:

ATLAS TOWNSHIP

NOTE: ALL DIMENSIONS ARE APPROXIMATE



WARD APPARATUS

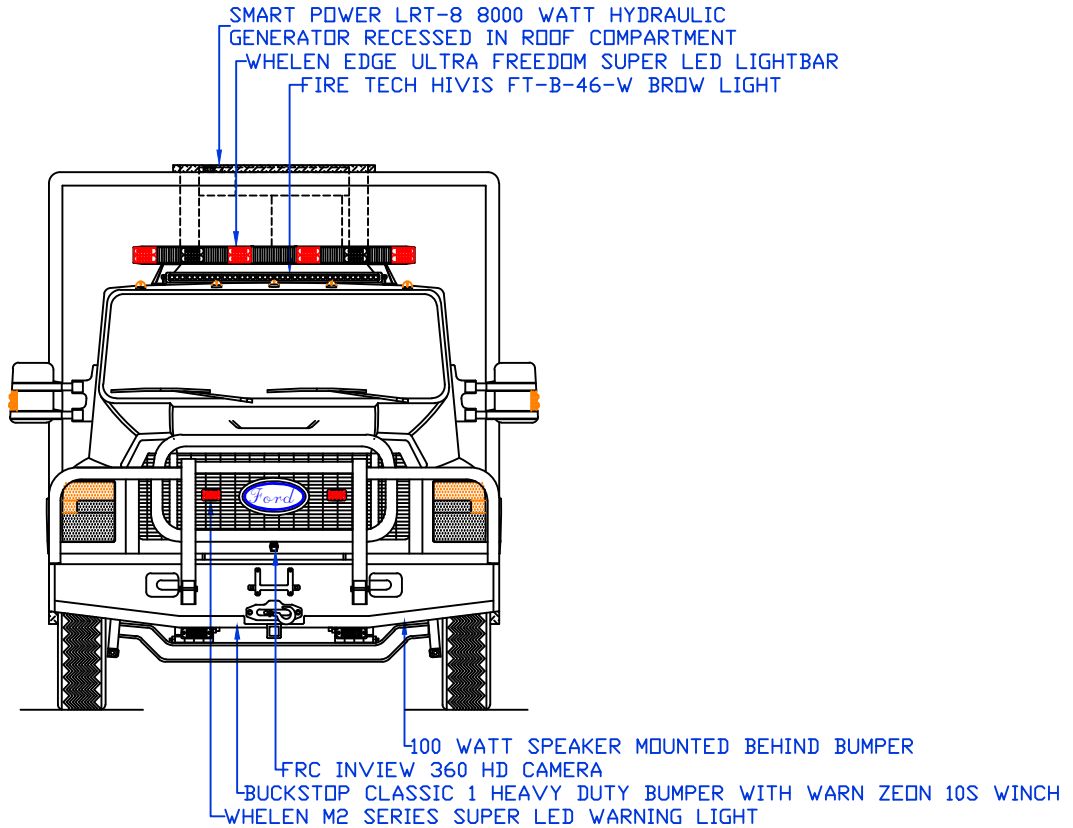
1250 SCHWEIZER ROAD PHONE (607) 796-0149
 HORSEHEADS, NY 14845 FAX (607) 739-7092

ATLAS TOWNSHIP

CUSTOMER APPROVED BY:

VEHICLE TYPE: CREW FORWARD RESCUE	CHASSIS: FORD F-850 CREW CAB 4X2
VIEW: REAR & REAR COMPARTMENT LAYOUT	BODY MAT'L: ALUMINUM
SCALE: NTS	BODY LENGTH: 192"
DRAWN BY: NRW	APPROVED BY:
DATE: 8/18/2022	BODY STYLE:
DWG NO.: ATLASTOWNSHIP	REVISION:

NOTE: ALL DIMENSIONS ARE APPROXIMATE



WARD APPARATUS

1250 SCHWEIZER ROAD PHONE (607) 796-0149
 HORSEHEADS, NY 14845 FAX (607) 739-7092

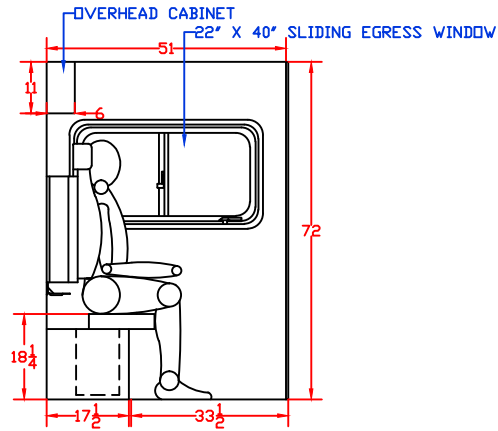
CUSTOMER APPROVED BY:

VEHICLE TYPE: CREW FORWARD RESCUE	CHASSIS: FORD F-650 CREW CAB 4X2
VIEW: FRONT	BODY MAT'L: ALUMINUM
SCALE: NTS	BODY LENGTH: 192"
DRAWN BY: NRW	APPROVED BY:
DATE: 8/18/2022	BODY STYLE:
DWG NO.: ATLASTOWNSHIP	REVISION:

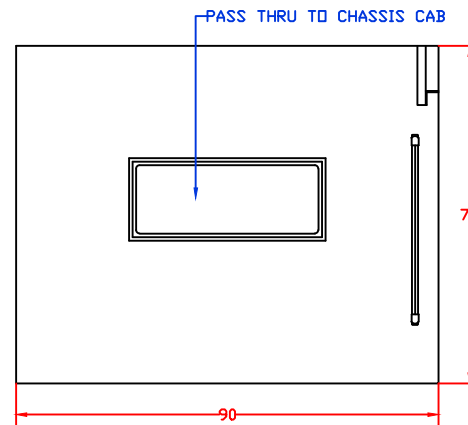
ATLAS TOWNSHIP

NOTE: ALL DIMENSIONS ARE APPROXIMATE

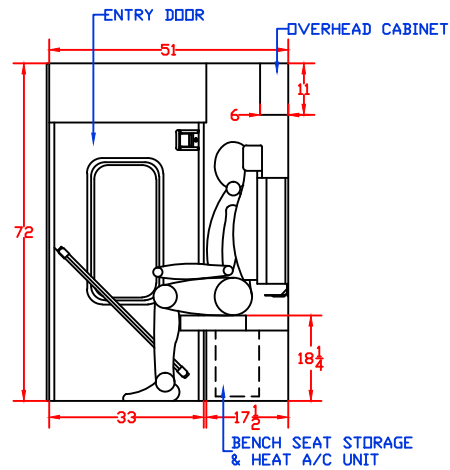
STREETSIDE



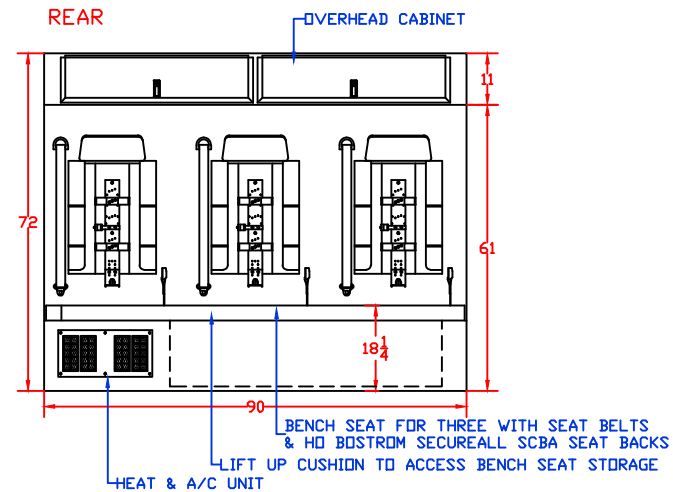
FRONT



CURBSIDE



REAR



WARD APPARATUS

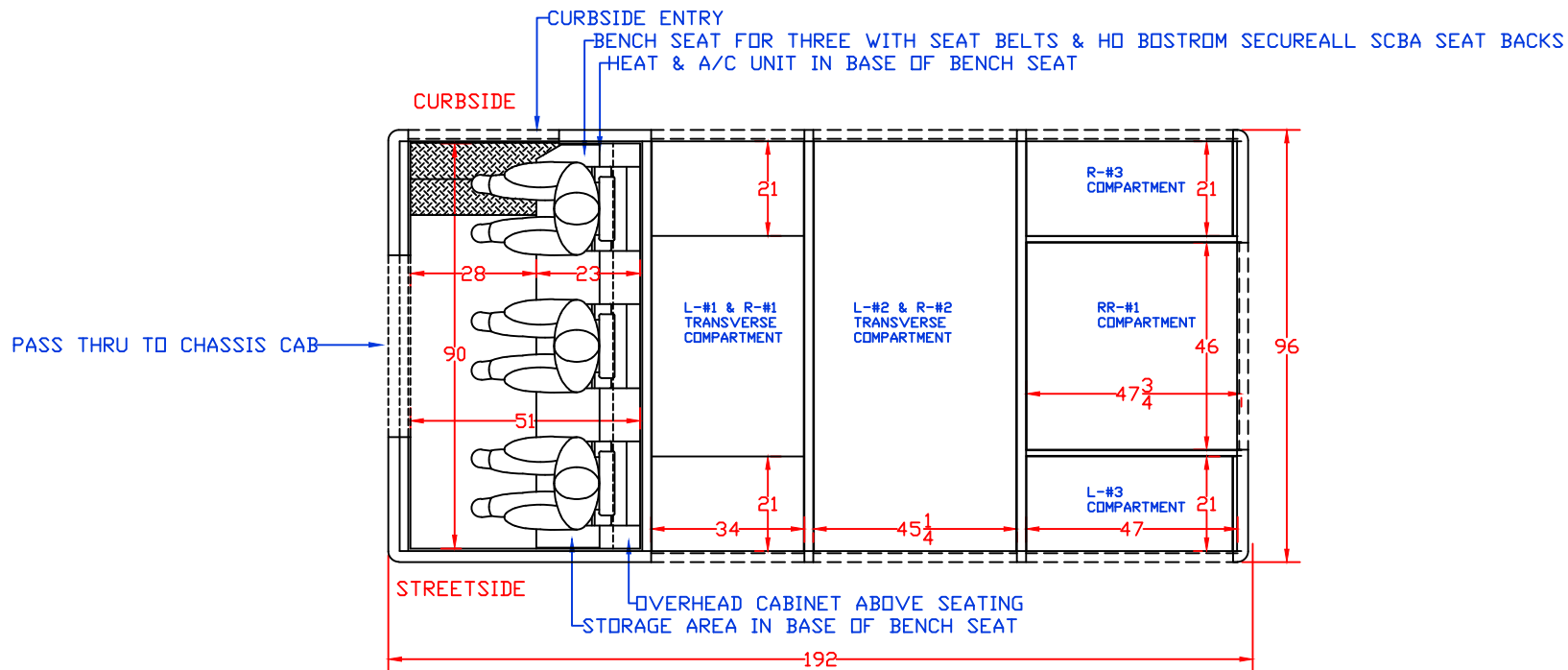
1250 SCHWEIZER ROAD PHONE (607) 796-0149
HORSEHEADS, NY 14845 FAX (607) 739-7092

ATLAS TOWNSHIP

CUSTOMER APPROVED BY:

VEHICLE TYPE: CREW FORWARD RESCUE	CHASSIS: FORD F-850 CREW CAB 4X2
VIEW: CREW AREA	BODY MAT'L: ALUMINUM
SCALE: NTS	BODY LENGTH: 192"
DRAWN BY: NRW	APPROVED BY:
DATE: 8/18/2022	BODY STYLE:
DWG NO.: ATLASTOWNSHIP	REVISION:

NOTE: ALL DIMENSIONS ARE APPROXIMATE



WARD APPARATUS

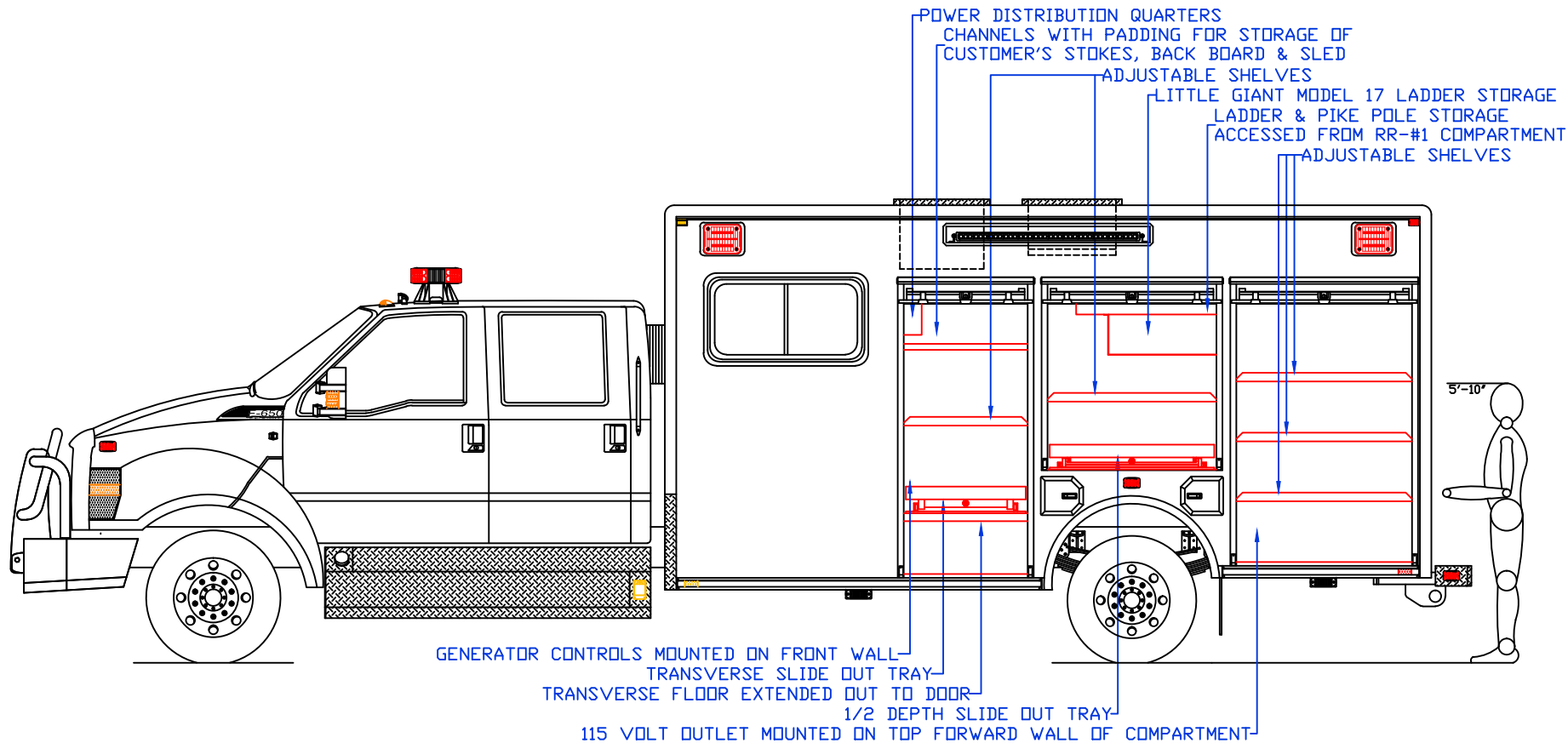
1250 SCHWEIZER ROAD PHONE (607) 796-0149
 HORSEHEADS, NY 14845 FAX (607) 739-7092

ATLAS TOWNSHIP

CUSTOMER APPROVED BY:

VEHICLE TYPE: CREW FORWARD RESCUE	CHASSIS: FORD F-650 CREW CAB 4X2
VIEW: TOP	BODY MAT'L: ALUMINUM
SCALE: NTS	BODY LENGTH: 192"
DRAWN BY: NRW	APPROVED BY:
DATE: 8/18/2022	BODY STYLE:
DWG NO.: ATLASTOWNSHIP	REVISION:

NOTE: ALL DIMENSIONS ARE APPROXIMATE



WARD APPARATUS

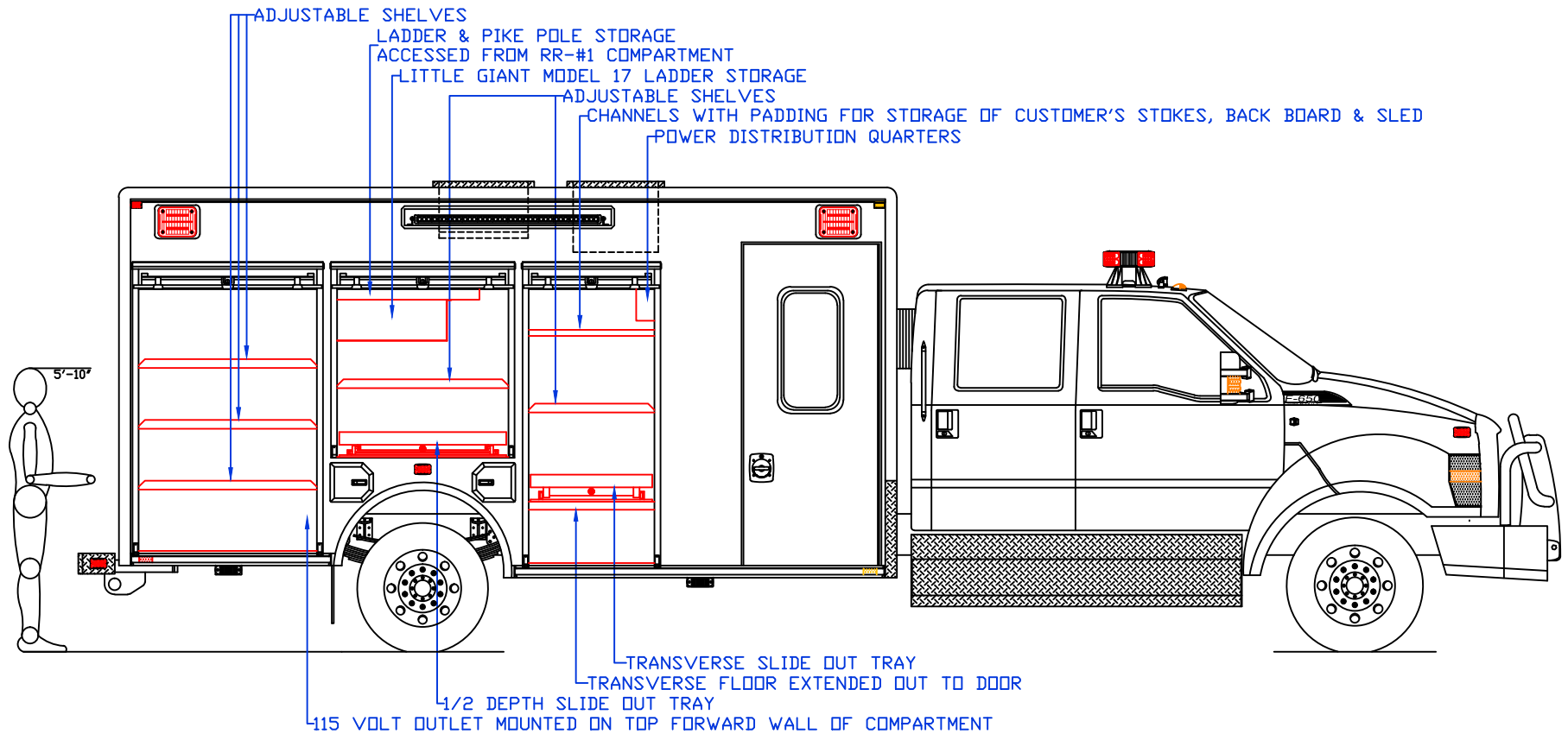
1250 SCHWEIZER ROAD PHONE (607) 796-0149
HORSEHEADS, NY 14845 FAX (607) 739-7092

ATLAS TOWNSHIP

CUSTOMER APPROVED BY:

VEHICLE TYPE: CREW FORWARD RESCUE	CHASSIS: FORD F-650 CREW CAB 4X2
VIEW: STREETSIDE COMPARTMENT LAYOUT	BODY MAT'L: ALUMINUM
SCALE: NTS	BODY LENGTH: 192"
DRAWN BY: NRW	APPROVED BY:
DATE: 8/18/2022	BODY STYLE:
DWG NO.: ATLASTOWNSHIP	REVISION:

NOTE: ALL DIMENSIONS ARE APPROXIMATE



WARD APPARATUS

1250 SCHWEIZER ROAD PHONE (607) 796-0149
 HORSEHEADS, NY 14845 FAX (607) 739-7092

ATLAS TOWNSHIP

CUSTOMER APPROVED BY:

VEHICLE TYPE: CREW FORWARD RESCUE	CHASSIS: FORD F-850 CREW CAB 4X2
VIEW: CURBSIDE COMPARTMENT LAYOUT	BODY MAT'L: ALUMINUM
SCALE: NTS	BODY LENGTH: 192"
DRAWN BY: NRW	APPROVED BY:
DATE: 8/18/2022	BODY STYLE:
DWG NO.: ATLASTOWNSHIP	REVISION:

NOTE: ALL DIMENSIONS ARE APPROXIMATE