

WARD APPARATUS
 1250 SCHWEIZER ROAD PHONE (607) 796-0149
 HORSEHEADS, NY 14845 FAX (607) 739-7092

CUSTOMER APPROVED BY:

VEHICLE TYPE: RESCUE	CHASSIS: FORD F-350 CREW CAB 4X4
VIEW: STREETSIDE	BODY MAT'L: ALUMINUM
SCALE: NTS	BODY LENGTH: 109 1/8"
DRAWN BY: NRW	APPROVED BY:
DATE: 9/26/2022	BODY STYLE:
DWG NO.: IONAMCGREGORFPD	REVISION:

IONA MCGREGOR FIRE DISTRICT SUPER SQUAD

NOTE: ALL DIMENSIONS ARE APPROXIMATE



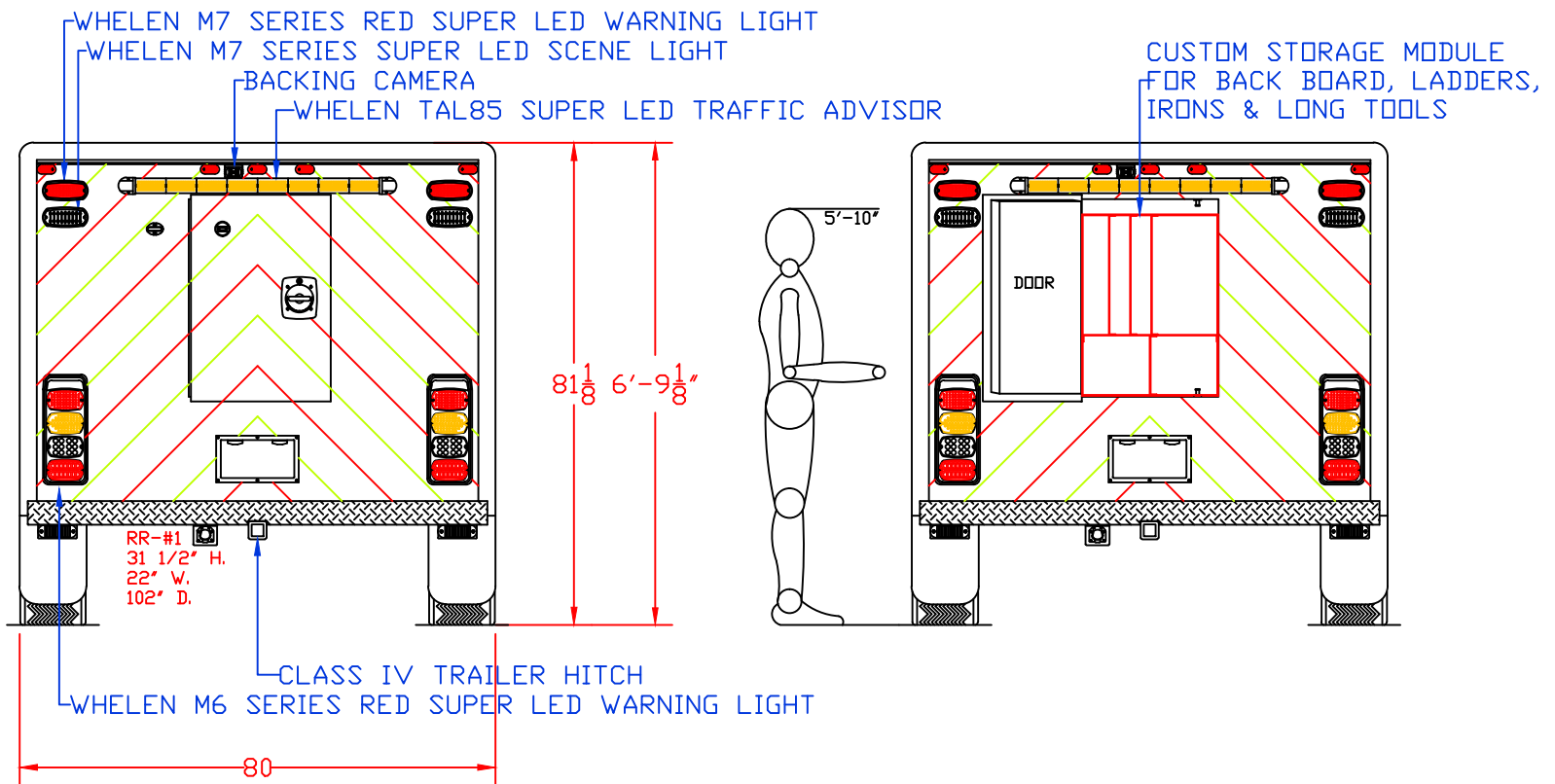
WARD APPARATUS
 1250 SCHWEIZER ROAD PHONE (607) 796-0149
 HORSEHEADS, NY 14845 FAX (607) 739-7092

CUSTOMER APPROVED BY:

VEHICLE TYPE: RESCUE	CHASSIS: FORD F-350 CREW CAB 4X4
VIEW: CURBSIDE	BODY MAT'L: ALUMINUM
SCALE: NTS	BODY LENGTH: 109 1/8"
DRAWN BY: NRW	APPROVED BY:
DATE: 9/26/2022	BODY STYLE:
DWG NO.: IONAMCGREGORFD	REVISION:

IONA MCGREGOR FIRE DISTRICT SUPER SQUAD

NOTE: ALL DIMENSIONS ARE APPROXIMATE



WARD APPARATUS

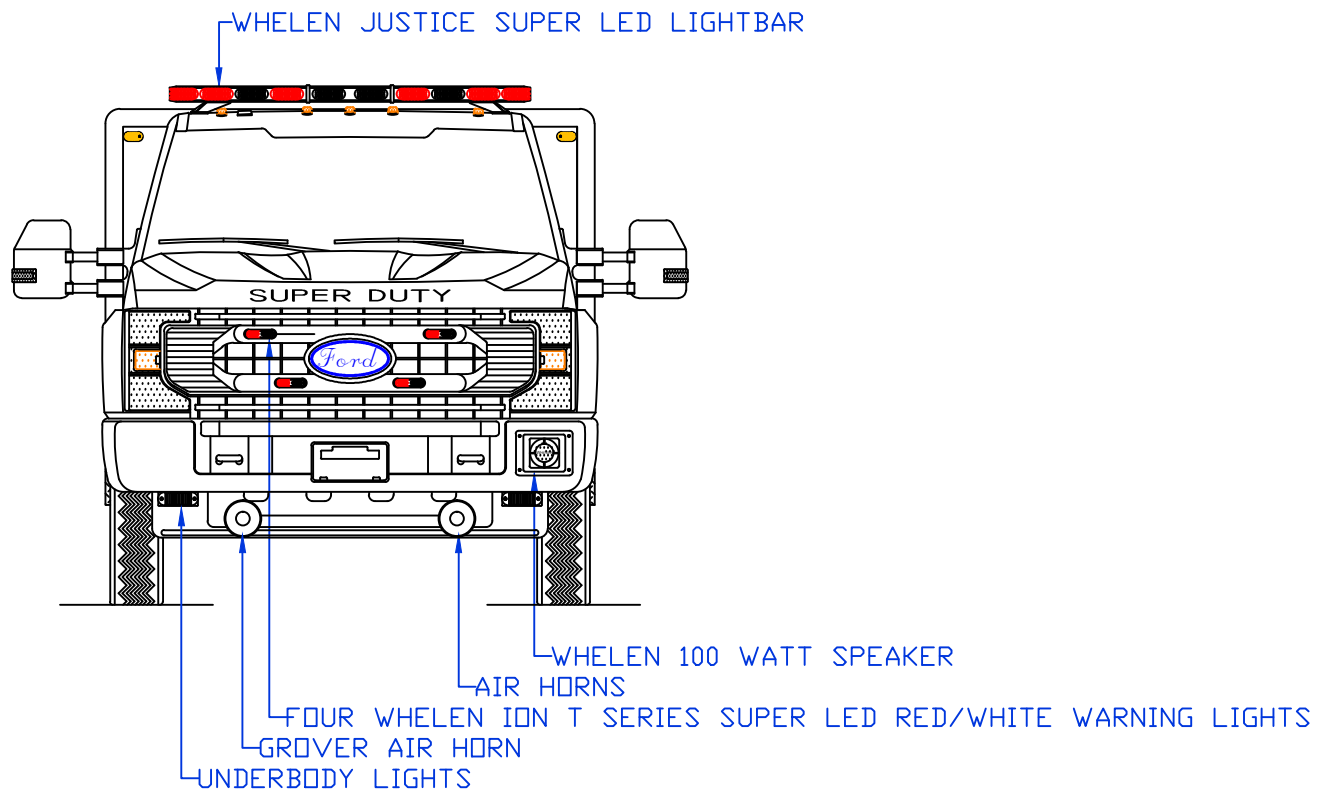
1250 SCHWEIZER ROAD PHONE (607) 796-0149
 HORSEHEADS, NY 14845 FAX (607) 739-7092

CUSTOMER APPROVED BY:

VEHICLE TYPE: RESCUE	CHASSIS: FORD F-350 CREW CAB 4X4
VIEW: REAR & REAR COMPARTMENT LAYOUT	BODY MAT'L: ALUMINUM
SCALE: NTS	BODY LENGTH: 109 1/8"
DRAWN BY: NRW	APPROVED BY:
DATE: 9/26/2022	BODY STYLE:
DWG NO.: IONAMCGREGORFD	REVISION:

IONA MCGREGOR FIRE DISTRICT SUPER SQUAD

NOTE: ALL DIMENSIONS ARE APPROXIMATE



WARD APPARATUS

1250 SCHWEIZER ROAD PHONE (607) 796-0149
 HORSEHEADS, NY 14845 FAX (607) 739-7092

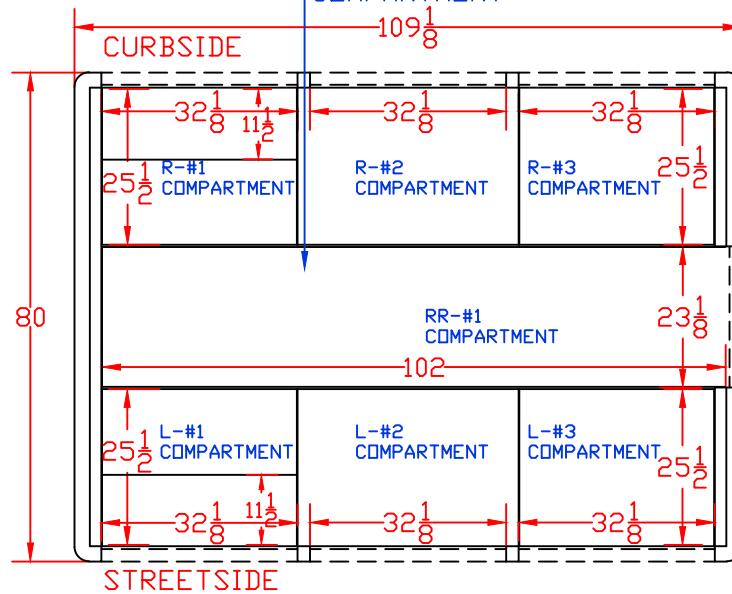
CUSTOMER APPROVED BY:

VEHICLE TYPE: RESCUE	CHASSIS: FORD F-350 CREW CAB 4X4
VIEW: FRONT	BODY MAT'L: ALUMINUM
SCALE: NTS	BODY LENGTH: 109 1/8"
DRAWN BY: NRW	APPROVED BY:
DATE: 9/26/2022	BODY STYLE:
DWG NO.: IONAMCGREGORFD	REVISION:

IONA MCGREGOR FIRE DISTRICT SUPER SQUAD

NOTE: ALL DIMENSIONS ARE APPROXIMATE

CUSTOM STORAGE MODULE FOR BACK BOARD,
LADDERS, IRONS & LONG TOOLS IN RR-#1
COMPARTMENT



WARD APPARATUS

1250 SCHWEIZER ROAD PHONE (607) 796-0149
HORSEHEADS, NY 14845 FAX (607) 739-7092

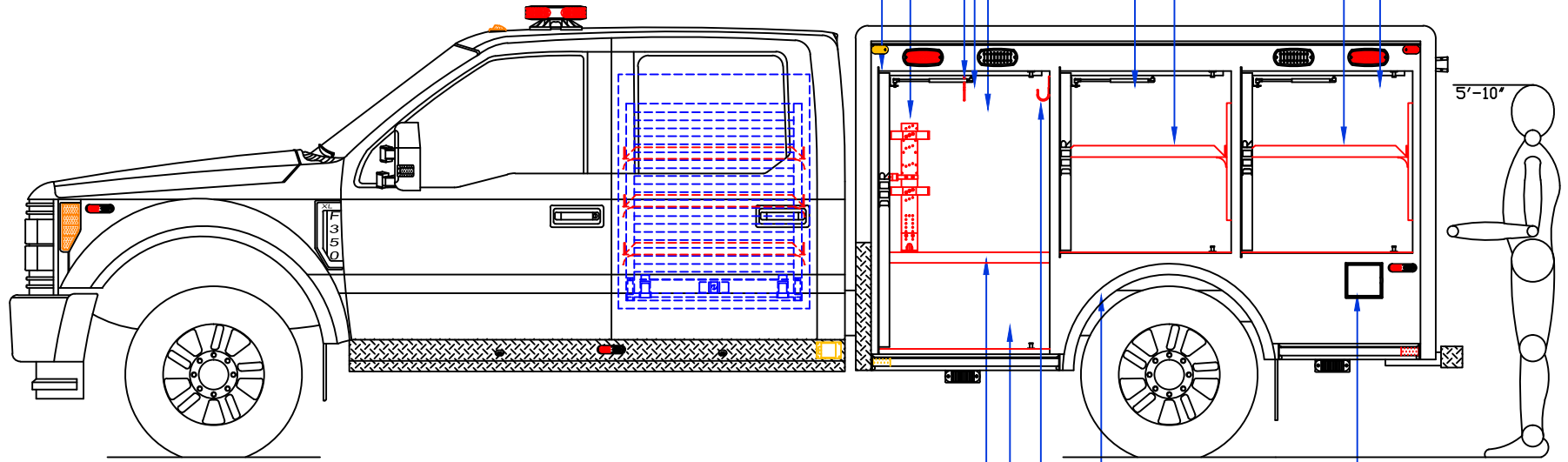
CUSTOMER APPROVED BY:

VEHICLE TYPE: RESCUE	CHASSIS: FORD F-350 CREW CAB 4X4
VIEW: TOP	BODY MAT'L: ALUMINUM
SCALE: NTS	BODY LENGTH: 109 1/8"
DRAWN BY: NRW	APPROVED BY:
DATE: 9/26/2022	BODY STYLE:
DWG NO.: IONAMCGREGORFD	REVISION:

IONA MCGREGOR FIRE DISTRICT SUPER SQUAD

NOTE: ALL DIMENSIONS ARE APPROXIMATE

110 VOLT OUTLET & 12 VOLT POWER TAP ON UPPER REAR WALL
 ADJUSTABLE SHELVES
 110 VOLT OUTLET & 12 VOLT POWER TAP ON UPPER REAR WALL
 DRIVER'S GEAR STORAGE AREA
 12 VOLT POWER TAP ON UPPER REAR WALL
 "J" HOOK MOUNTED ON CENTER BACK WALL
 DRIVER'S ZICO LOAD & LOCK SPRING ASSIST SCBA BRACKET
 DOOR TO OPEN TO APPROXIMATELY 130°



UPPER COMPARTMENT FLOOR EXTENDED OUT AS CLOSE TO DOOR AS POSSIBLE
 11 1/2" DEEP IN LOWER AREA
 TWO "J" HOOK MOUNTED ON RIGHT SIDE WALL
 20" RADIUS FENDERETTE
 GASOLINE FUEL FILL



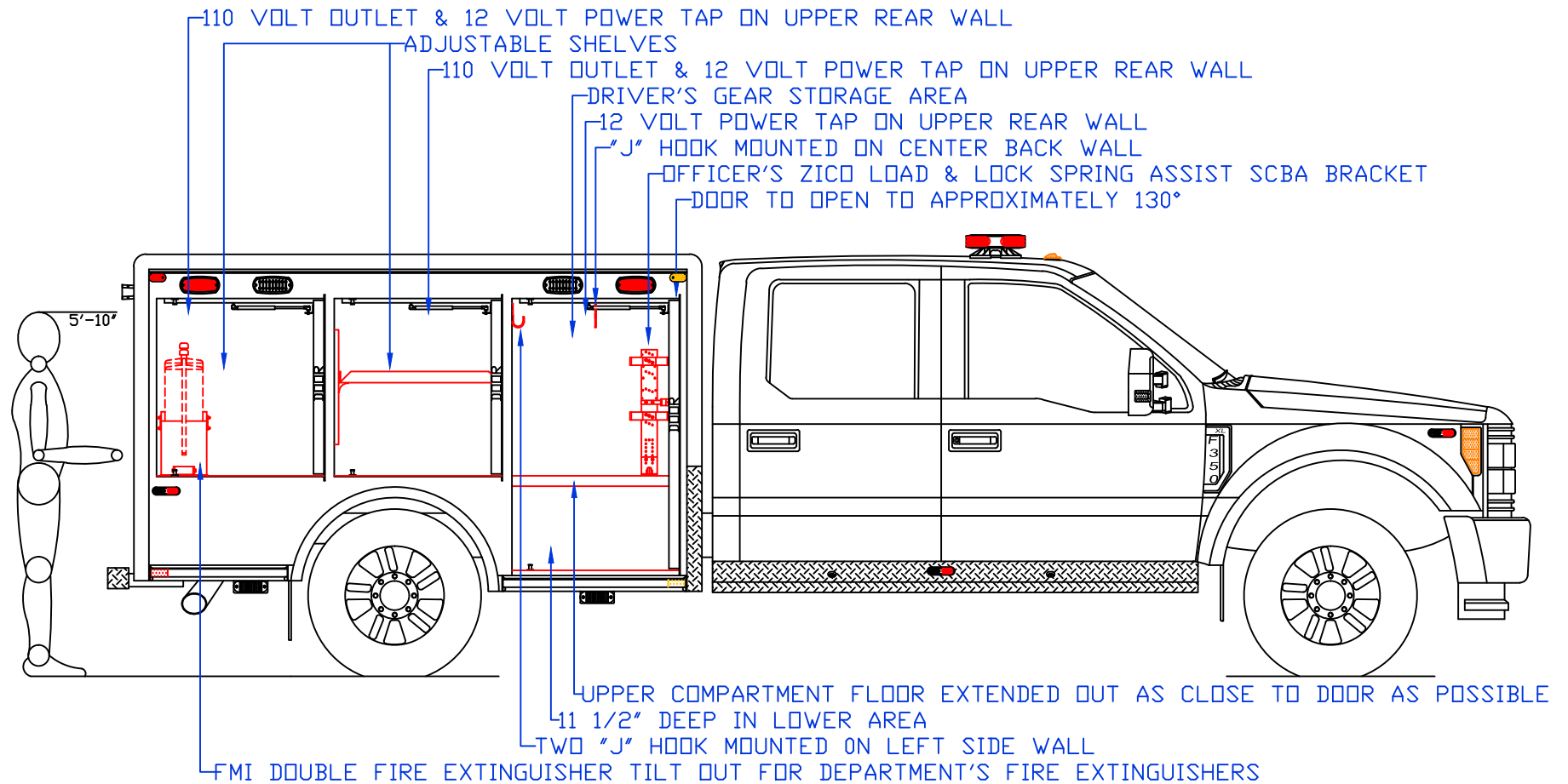
WARD APPARATUS
 1250 SCHWEIZER ROAD PHONE (607) 796-0149
 HORSEHEADS, NY 14845 FAX (607) 739-7092

CUSTOMER APPROVED BY:

VEHICLE TYPE: RESCUE	CHASSIS: FORD F-350 CREW CAB 4X4
VIEW: STREETSIDE COMPARTMENT LAYOUT	BODY MAT'L: ALUMINUM
SCALE: NTS	BODY LENGTH: 109 1/8"
DRAWN BY: NRW	APPROVED BY:
DATE: 9/26/2022	BODY STYLE:
DWG NO.: IONAMCGREGORFPD	REVISION:

IONA MCGREGOR FIRE DISTRICT SUPER SQUAD

NOTE: ALL DIMENSIONS ARE APPROXIMATE



WARD APPARATUS

1250 SCHWEIZER ROAD PHONE (607) 796-0149
 HORSEHEADS, NY 14845 FAX (607) 739-7092

CUSTOMER APPROVED BY:

VEHICLE TYPE: RESCUE	CHASSIS: FORD F-350 CREW CAB 4X4
VIEW: CURBSIDE COMPARTMENT LAYOUT	BODY MAT'L: ALUMINUM
SCALE: NTS	BODY LENGTH: 109 1/8"
DRAWN BY: NRW	APPROVED BY:
DATE: 9/26/2022	BODY STYLE:
DWG NO.: IONAMCGREGORFPD	REVISION:

IONA MCGREGOR FIRE DISTRICT SUPER SQUAD

NOTE: ALL DIMENSIONS ARE APPROXIMATE