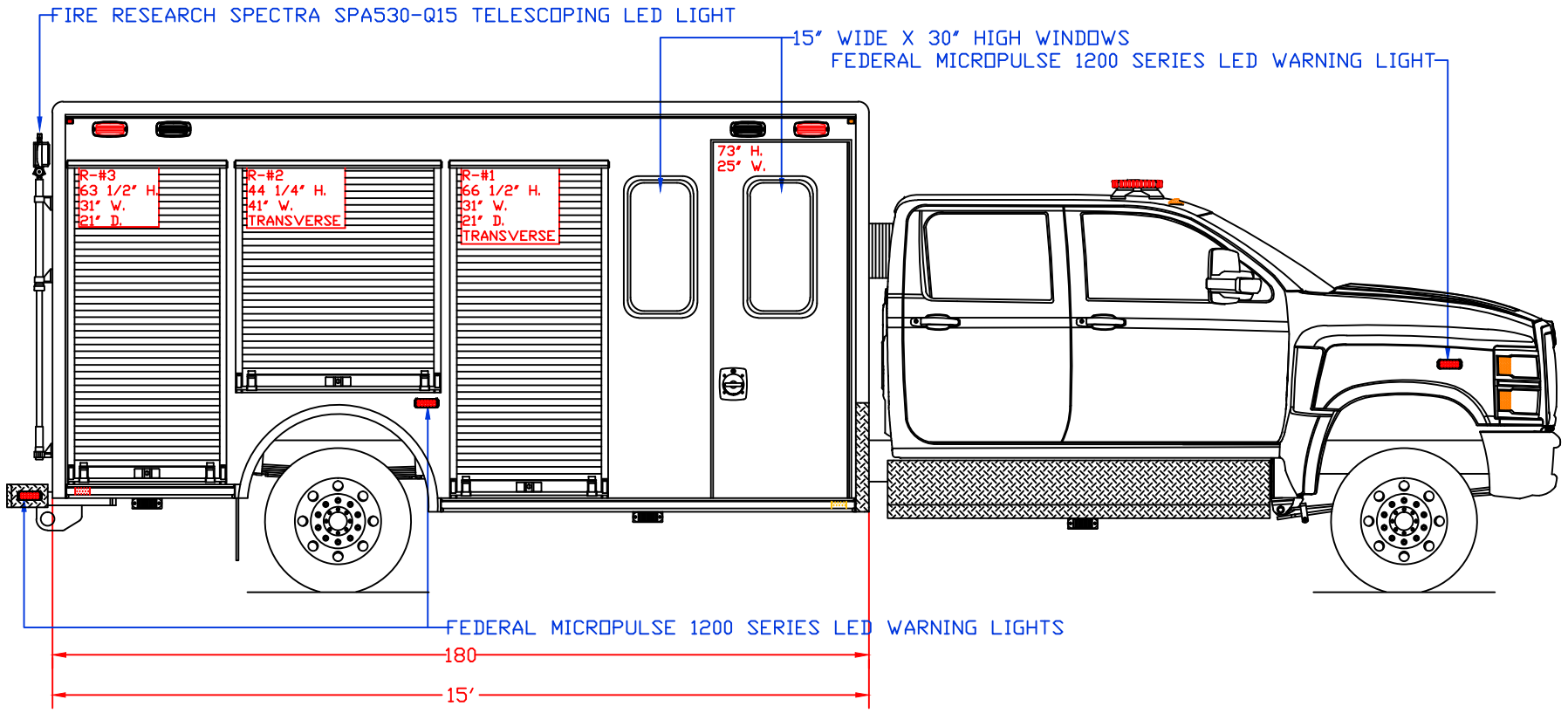


**WARD APPARATUS**  
 1250 SCHWEIZER ROAD PHONE (607) 796-0149  
 HORSEHEADS, NY 14845 FAX (607) 739-7092

<b>CUSTOMER APPROVED BY:</b>	
VEHICLE TYPE: CREW FORWARD RESCUE	CHASSIS: CHEVROLET 6500 CREW CAB 4X4
VIEW: STREETSIDE	BODY MAT'L: ALUMINUM
SCALE: NTS	BODY LENGTH: 180"
DRAWN BY: NRW	APPROVED BY:
DATE: 1/16/2023	BODY STYLE:
DWG NO.: NORTHROSEFD	REVISION:

NORTH ROSE FIRE DEPARTMENT 15' CREW FORWARD RESCUE

NOTE: ALL DIMENSIONS ARE APPROXIMATE



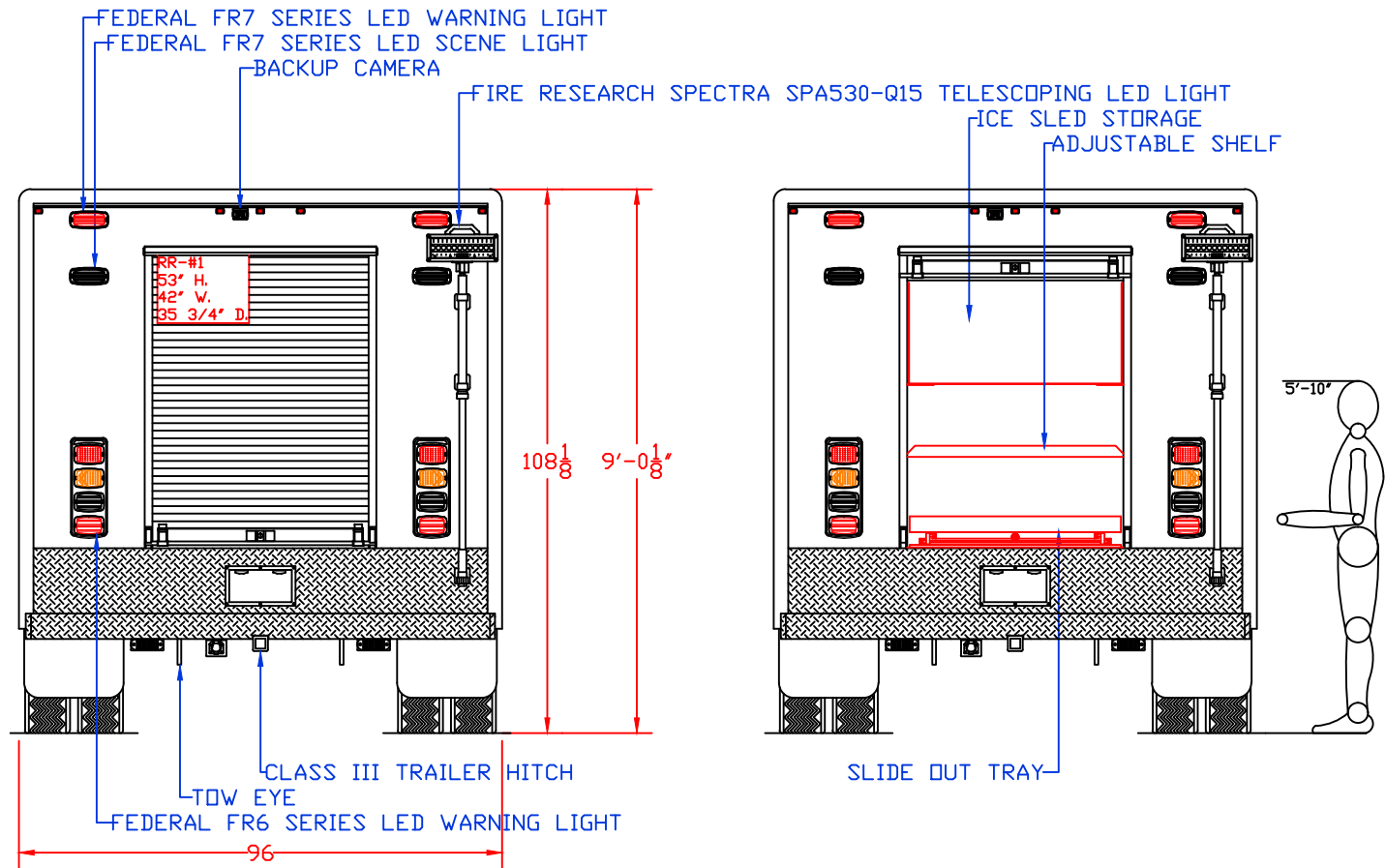
**WARD APPARATUS**  
 1250 SCHWEIZER ROAD PHONE (607) 796-0149  
 HORSEHEADS, NY 14845 FAX (607) 739-7092

**CUSTOMER APPROVED BY:**

VEHICLE TYPE: CREW FORWARD RESCUE	CHASSIS: CHEVROLET 6500 CREW CAB 4X4
VIEW: CURBSIDE	BODY MAT'L: ALUMINUM
SCALE: NTS	BODY LENGTH: 180"
DRAWN BY: NRW	APPROVED BY:
DATE: 1/16/2023	BODY STYLE:
DWG NO.: NORTHROSEPD	REVISION:

NORTH ROSE FIRE DEPARTMENT 15' CREW FORWARD RESCUE

NOTE: ALL DIMENSIONS ARE APPROXIMATE



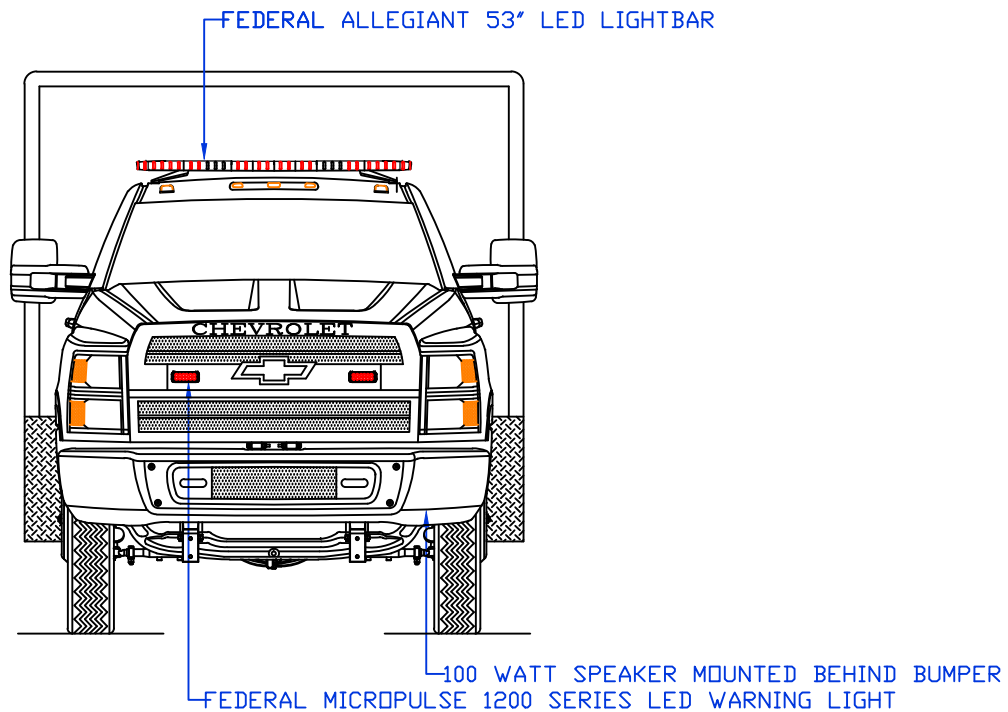
**WARD APPARATUS**  
 1250 SCHWEIZER ROAD PHONE (607) 796-0149  
 HORSEHEADS, NY 14845 FAX (607) 739-7092

**CUSTOMER APPROVED BY:**

VEHICLE TYPE: CREW FORWARD RESCUE	CHASSIS: CHEVROLET 6500 CREW CAB 4X4
VIEW: REAR & REAR COMPARTMENT LAYOUT	BODY MAT'L: ALUMINUM
SCALE: NTS	BODY LENGTH: 180"
DRAWN BY: NRW	APPROVED BY:
DATE: 1/16/2023	BODY STYLE:
DWG NO.: NORTHROSEFD	REVISION:

NORTH ROSE FIRE DEPARTMENT 15' CREW FORWARD RESCUE

NOTE: ALL DIMENSIONS ARE APPROXIMATE



**WARD APPARATUS**

1250 SCHWEIZER ROAD PHONE (607) 796-0149  
 HORSEHEADS, NY 14845 FAX (607) 739-7092

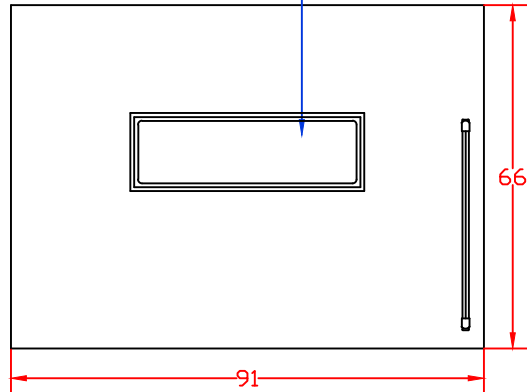
**CUSTOMER APPROVED BY:**

VEHICLE TYPE: CREW FORWARD RESCUE	CHASSIS: CHEVROLET 6500 CREW CAB 4X4
VIEW: FRONT	BODY MAT'L: ALUMINUM
SCALE: NTS	BODY LENGTH: 180"
DRAWN BY: NRW	APPROVED BY:
DATE: 1/16/2023	BODY STYLE:
DWG NO.: NORTHROSEPD	REVISION:

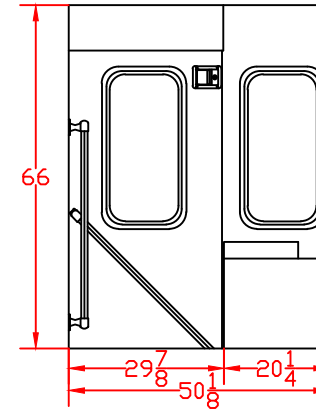
NORTH ROSE FIRE DEPARTMENT 15' CREW FORWARD RESCUE

NOTE: ALL DIMENSIONS ARE APPROXIMATE

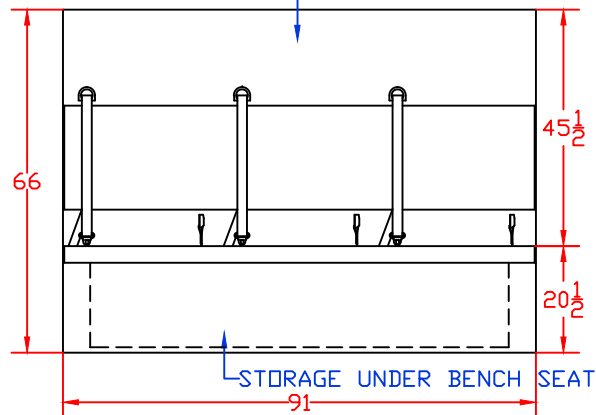
FRONT PASS THRU TO CHASSIS CAB



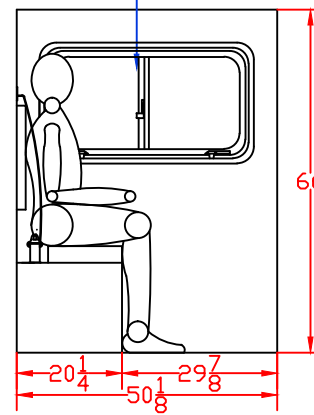
CURBSIDE



BACK SEATING FOR THREE PEOPLE 22" HIGH X 40" WIDE SLIDING EGRESS WINDOW



STREETSIDE



**WARD APPARATUS**

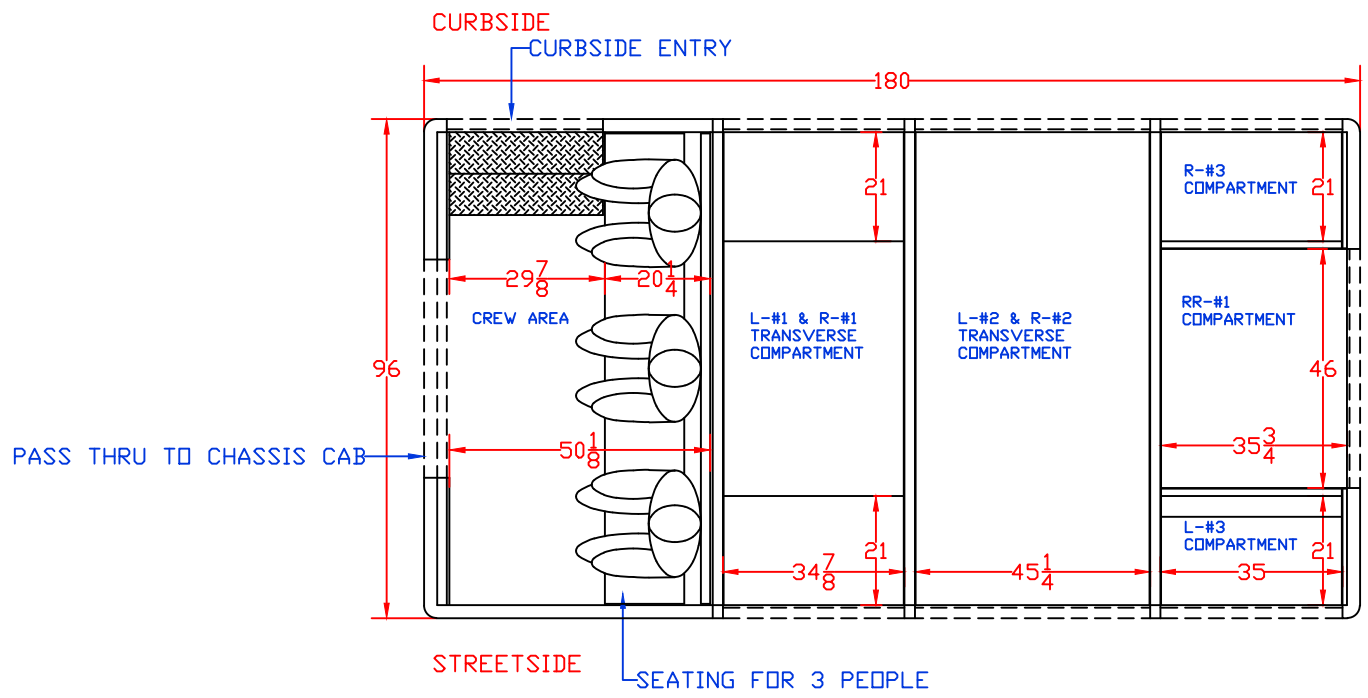
1250 SCHWEIZER ROAD PHONE (607) 796-0149  
HORSEHEADS, NY 14845 FAX (607) 739-7092

CUSTOMER APPROVED BY:

VEHICLE TYPE: CREW FORWARD RESCUE	CHASSIS: CHEVROLET 6500 CREW CAB 4X4
VIEW: CREW AREA	BODY MAT'L: ALUMINUM
SCALE: NTS	BODY LENGTH: 180"
DRAWN BY: NRW	APPROVED BY:
DATE: 1/16/2023	BODY STYLE:
DWG NO.: NORTHROSEPD	REVISION:

NORTH ROSE FIRE DEPARTMENT 15' CREW FORWARD RESCUE

NOTE: ALL DIMENSIONS ARE APPROXIMATE



**WARD APPARATUS**

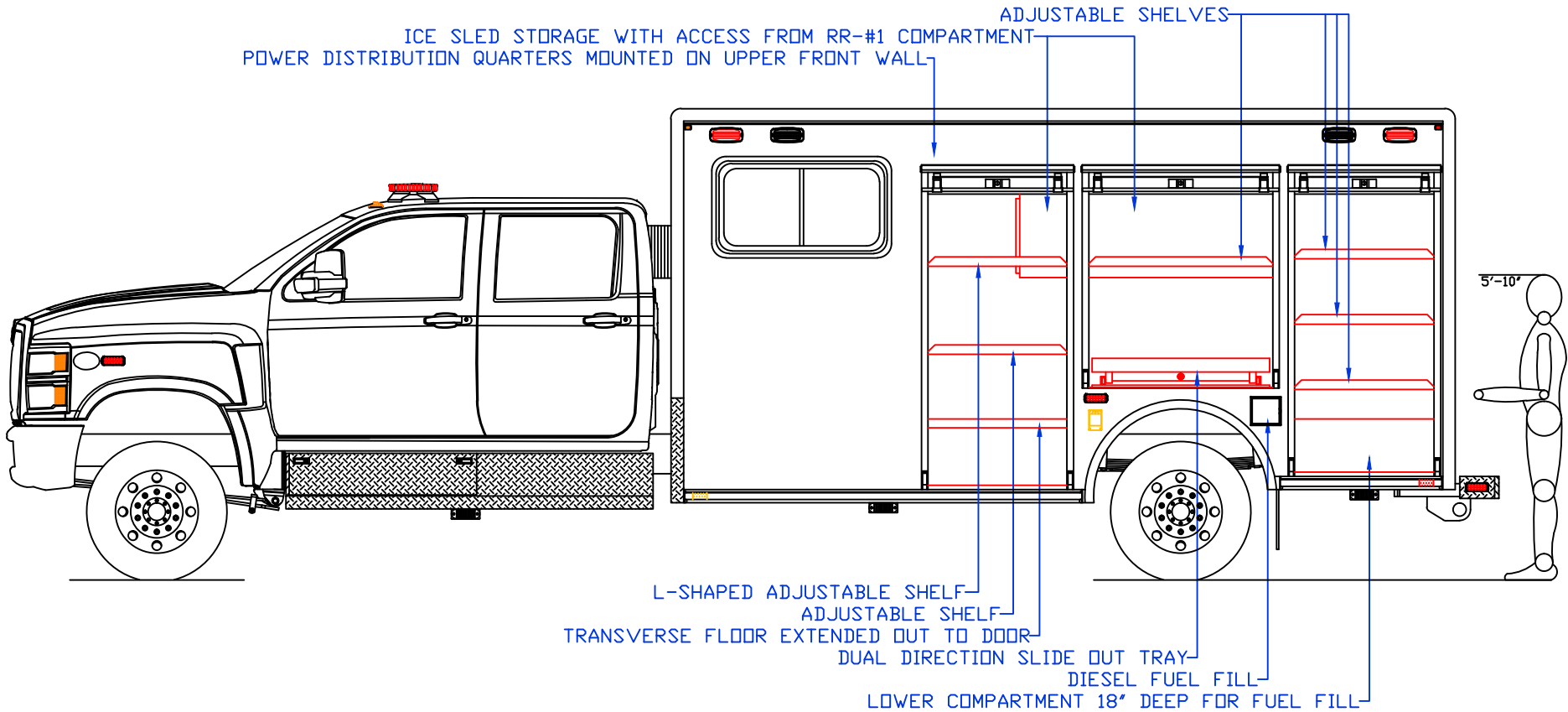
1250 SCHWEIZER ROAD PHONE (607) 796-0149  
 HORSEHEADS, NY 14845 FAX (607) 739-7092

**CUSTOMER APPROVED BY:**

VEHICLE TYPE: CREW FORWARD RESCUE	CHASSIS: CHEVROLET 6500 CREW CAB 4X4
VIEW: TOP	BODY MAT'L: ALUMINUM
SCALE: NTS	BODY LENGTH: 180"
DRAWN BY: NRW	APPROVED BY:
DATE: 1/16/2023	BODY STYLE:
DWG NO.: NORTHROSEFD	REVISION:

NORTH ROSE FIRE DEPARTMENT 15' CREW FORWARD RESCUE

NOTE: ALL DIMENSIONS ARE APPROXIMATE

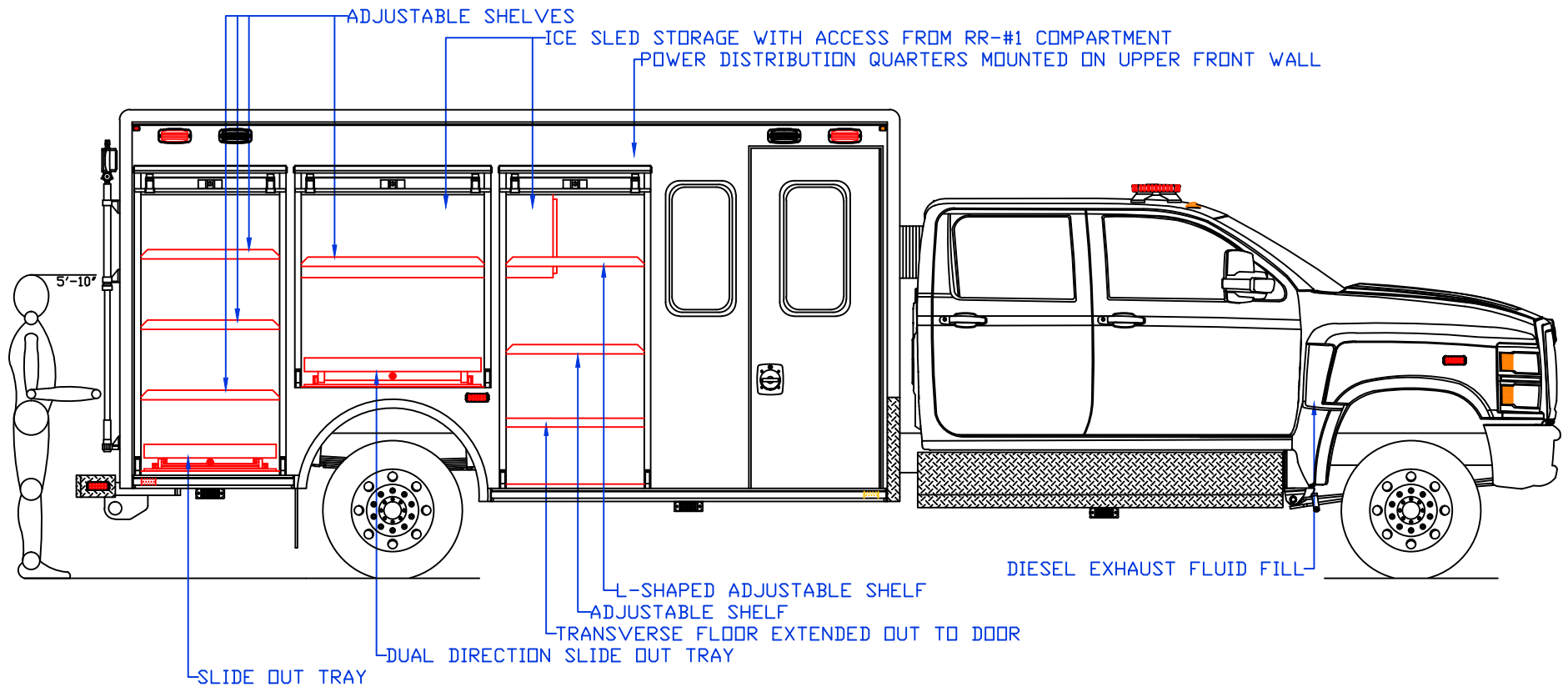


**WARD APPARATUS**  
1250 SCHWEIZER ROAD PHONE (607) 796-0149  
HORSEHEADS, NY 14845 FAX (607) 739-7092

<b>CUSTOMER APPROVED BY:</b>	
VEHICLE TYPE: CREW FORWARD RESCUE	CHASSIS: CHEVROLET 6500 CREW CAB 4X4
VIEW: STREETSIDE COMPARTMENT LAYOUT	BODY MAT'L: ALUMINUM
SCALE: NTS	BODY LENGTH: 180"
DRAWN BY: NRW	APPROVED BY:
DATE: 1/16/2023	BODY STYLE:
DWG NO.: NORTHROSEFD	REVISION:

NORTH ROSE FIRE DEPARTMENT 15' CREW FORWARD RESCUE

NOTE: ALL DIMENSIONS ARE APPROXIMATE



**WARD APPARATUS**

1250 SCHWEIZER ROAD PHONE (607) 796-0149  
 HORSEHEADS, NY 14845 FAX (607) 739-7092

NORTH ROSE FIRE DEPARTMENT 15' CREW FORWARD RESCUE

**CUSTOMER APPROVED BY:**

VEHICLE TYPE: CREW FORWARD RESCUE	CHASSIS: CHEVROLET 6500 CREW CAB 4X4
VIEW: CURBSIDE COMPARTMENT LAYOUT	BODY MAT'L: ALUMINUM
SCALE: NTS	BODY LENGTH: 180"
DRAWN BY: NRW	APPROVED BY:
DATE: 1/16/2023	BODY STYLE:
DWG NO.: NORTHROSEFD	REVISION:

*NOTE: ALL DIMENSIONS ARE APPROXIMATE*