

WARD APPARATUS

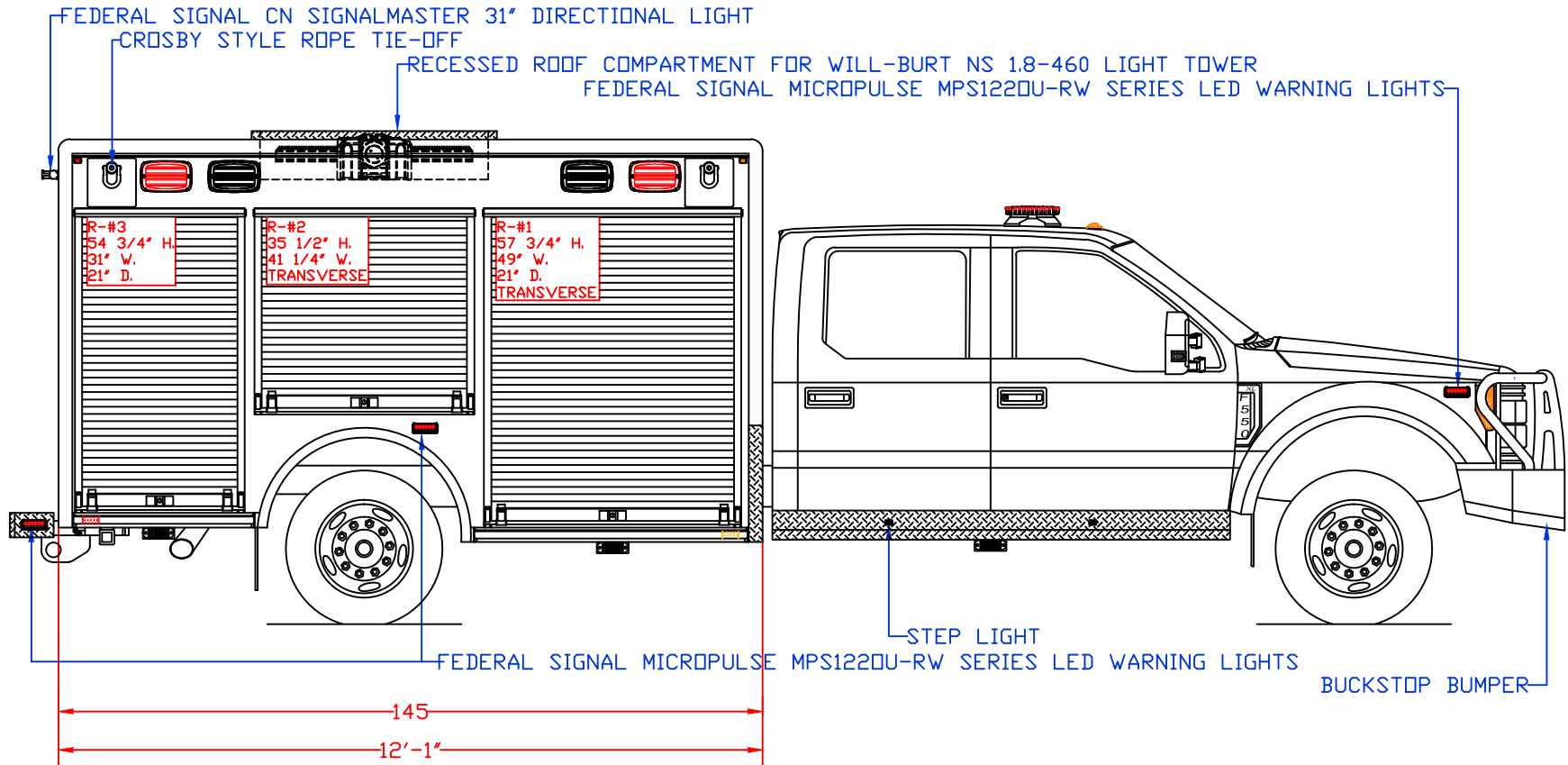
1250 SCHWEIZER ROAD PHONE (607) 796-0149
 HORSEHEADS, NY 14845 FAX (607) 739-7092

CUSTOMER APPROVED BY:

VEHICLE TYPE: RESCUE	CHASSIS: FORD F-550 CREW CAB 4X4
VIEW: STREETSIDE	BODY MAT'L: ALUMINUM
SCALE: NTS	BODY LENGTH: 145"
DRAWN BY: NRW	APPROVED BY:
DATE: 10/11/2022	BODY STYLE:
DWG NO.: WALKERVALLEY	REVISION:

WALKER VALLEY FIRE COMPANY 12' RESCUE

NOTE: ALL DIMENSIONS ARE APPROXIMATE



WARD APPARATUS

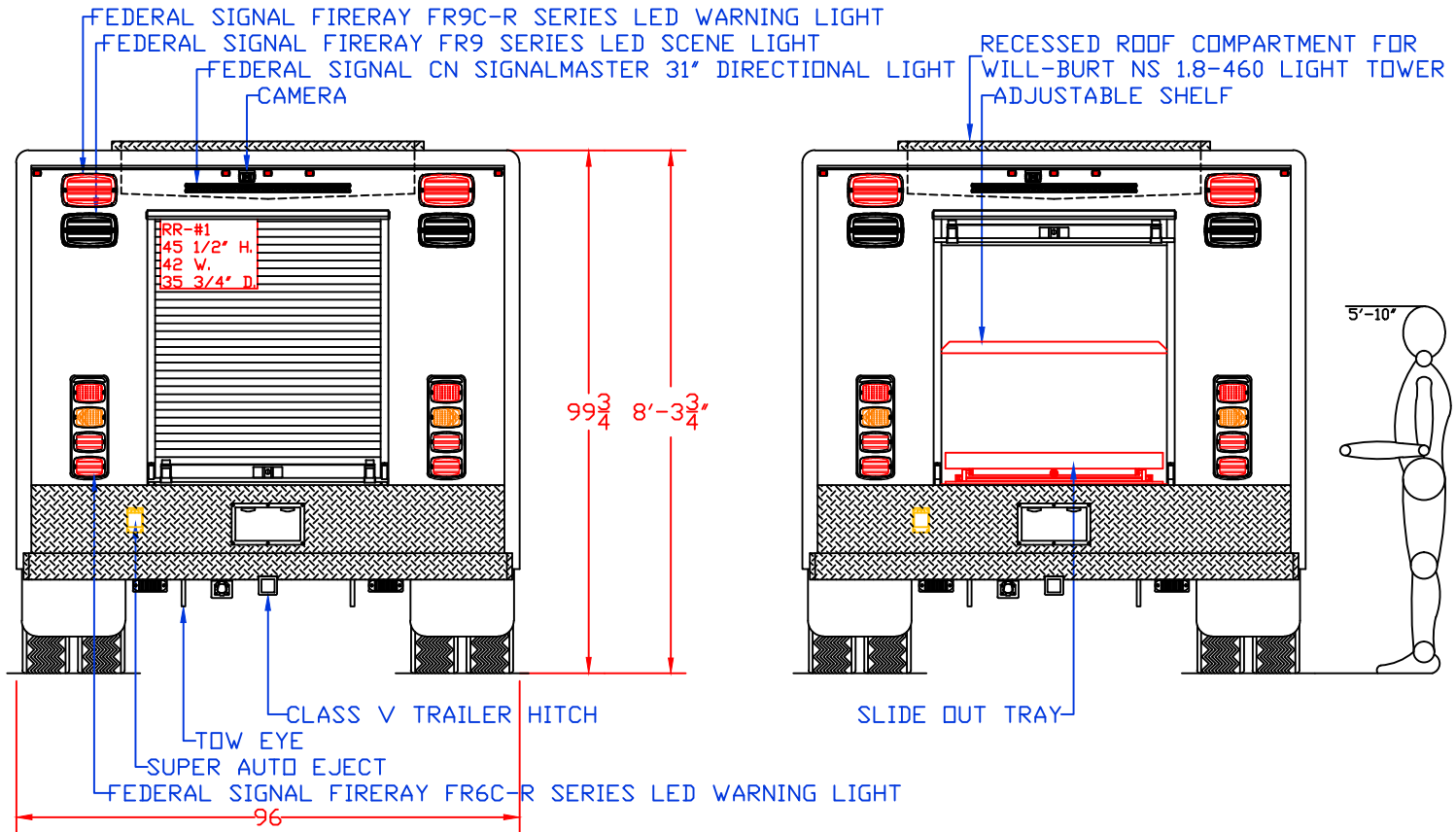
1250 SCHWEIZER ROAD PHONE (607) 796-0149
 HORSEHEADS, NY 14845 FAX (607) 739-7092

CUSTOMER APPROVED BY:

VEHICLE TYPE: RESCUE	CHASSIS: FORD F-550 CREW CAB 4X4
VIEW: CURBSIDE	BODY MAT'L: ALUMINUM
SCALE: NTS	BODY LENGTH: 145"
DRAWN BY: NRW	APPROVED BY:
DATE: 10/11/2022	BODY STYLE:
DWG NO.: WALKERVALLEY	REVISION:

WALKER VALLEY FIRE COMPANY 12' RESCUE

NOTE: ALL DIMENSIONS ARE APPROXIMATE



WARD APPARATUS

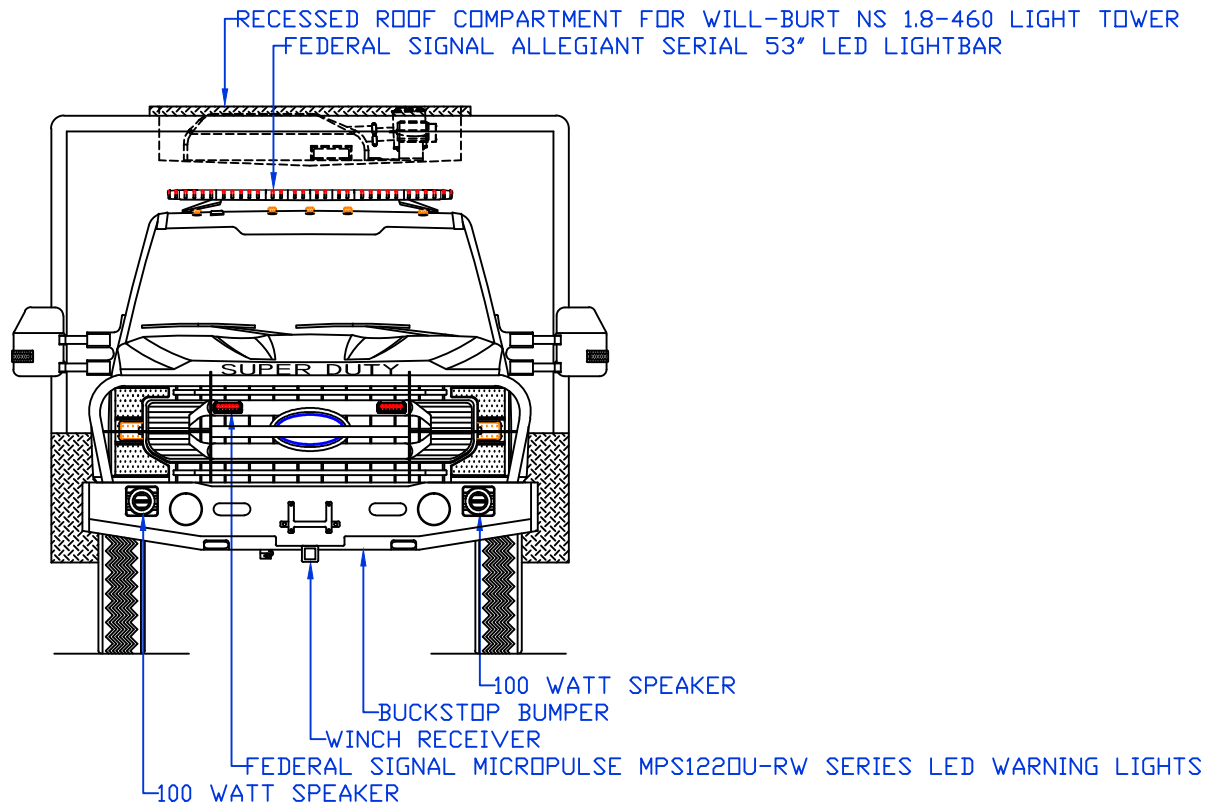
1250 SCHWEIZER ROAD PHONE (607) 796-0149
 HORSEHEADS, NY 14845 FAX (607) 739-7092

CUSTOMER APPROVED BY:

VEHICLE TYPE: RESCUE	CHASSIS: FORD F-550 CREW CAB 4X4
VIEW: REAR & REAR COMPARTMENT LAYOUT	BODY MAT'L: ALUMINUM
SCALE: NTS	BODY LENGTH: 145"
DRAWN BY: NRW	APPROVED BY:
DATE: 10/11/2022	BODY STYLE:
DWG NO.: WALKERVALLEY	REVISION:

WALKER VALLEY FIRE COMPANY 12' RESCUE

NOTE: ALL DIMENSIONS ARE APPROXIMATE



WARD APPARATUS

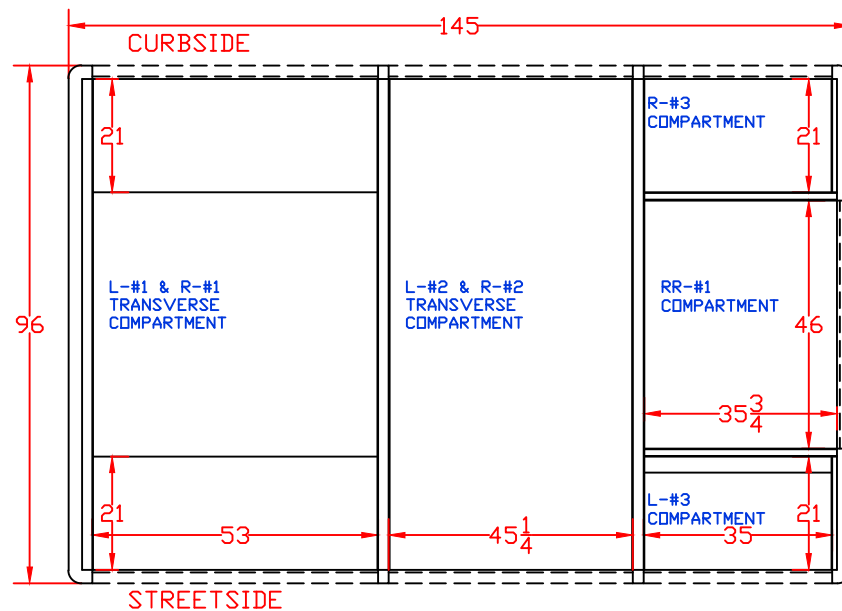
1250 SCHWEIZER ROAD PHONE (607) 796-0149
HORSEHEADS, NY 14845 FAX (607) 739-7092

CUSTOMER APPROVED BY:

VEHICLE TYPE: RESCUE	CHASSIS: FORD F-550 CREW CAB 4X4
VIEW: FRONT	BODY MAT'L: ALUMINUM
SCALE: NTS	BODY LENGTH: 145"
DRAWN BY: NRW	APPROVED BY:
DATE: 10/11/2022	BODY STYLE:
DWG NO.: WALKERVALLEY	REVISION:

WALKER VALLEY FIRE COMPANY 12' RESCUE

NOTE: ALL DIMENSIONS ARE APPROXIMATE



WARD APPARATUS

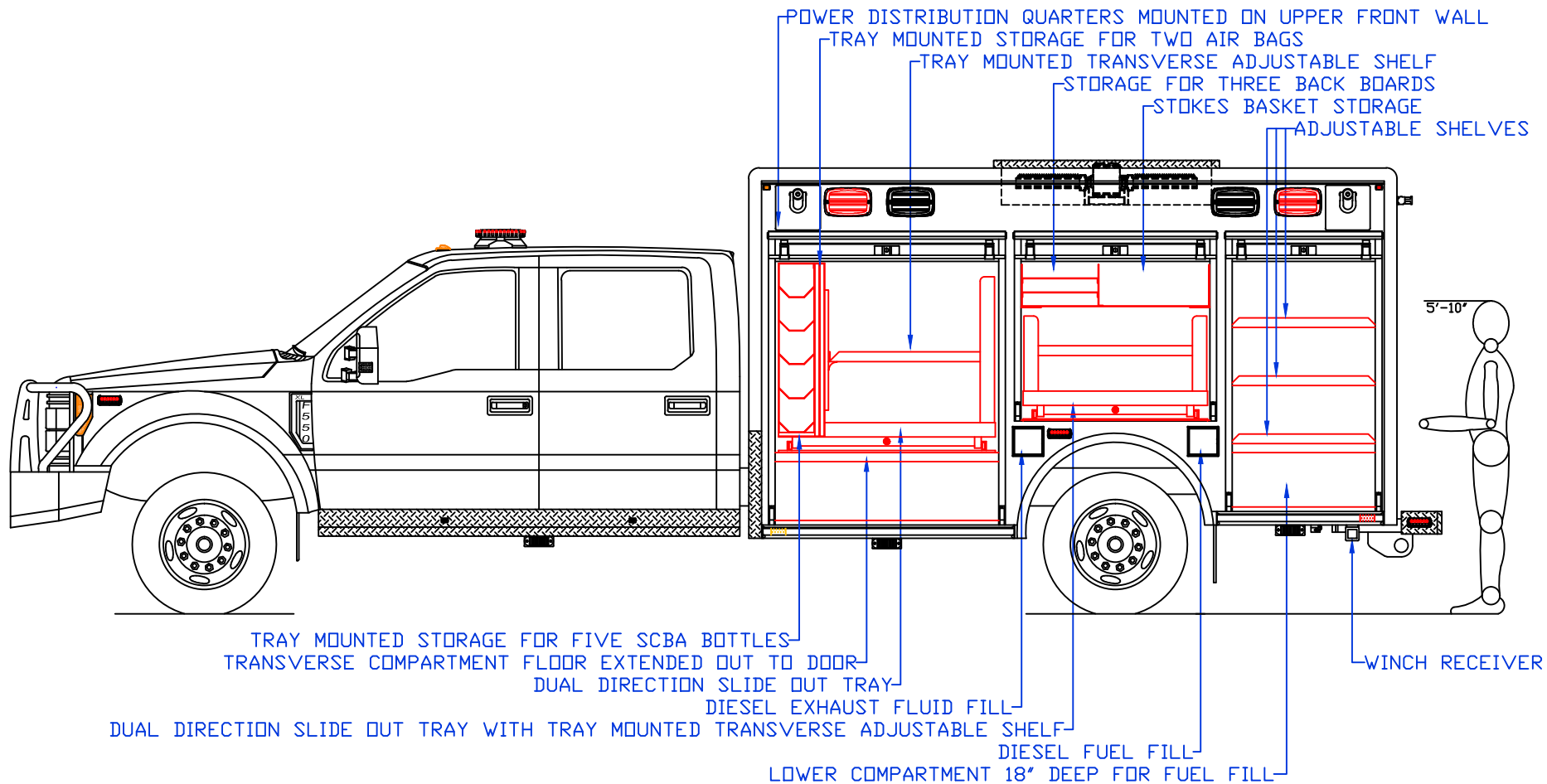
1250 SCHWEIZER ROAD PHONE (607) 796-0149
 HORSEHEADS, NY 14845 FAX (607) 739-7092

WALKER VALLEY FIRE COMPANY 12' RESCUE

CUSTOMER APPROVED BY: _____

VEHICLE TYPE: RESCUE	CHASSIS: FORD F-550 CREW CAB 4X4
VIEW: TOP	BODY MAT'L: ALUMINUM
SCALE: NTS	BODY LENGTH: 145"
DRAWN BY: NRW	APPROVED BY:
DATE: 10/11/2022	BODY STYLE:
DWG NO.: WALKERVALLEY	REVISION:

NOTE: ALL DIMENSIONS ARE APPROXIMATE



WARD APPARATUS

1250 SCHWEIZER ROAD PHONE (607) 796-0149
 HORSEHEADS, NY 14845 FAX (607) 739-7092

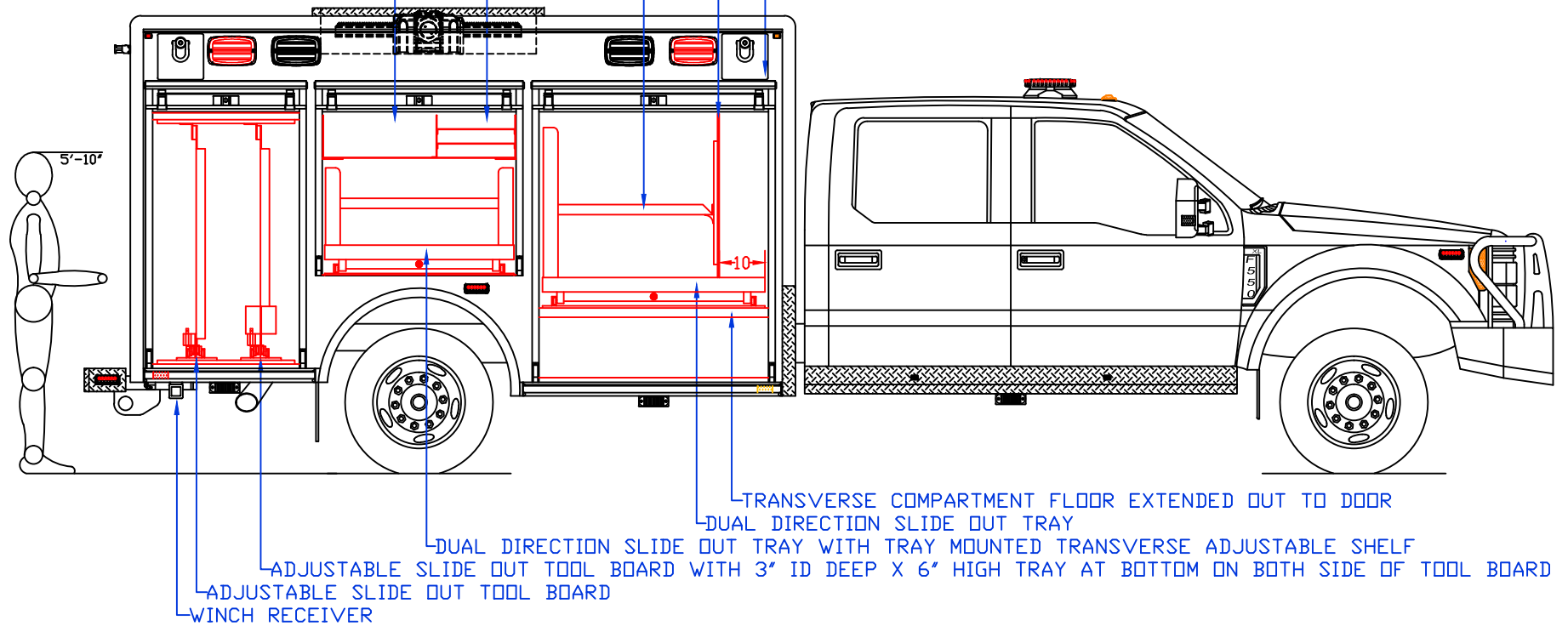
CUSTOMER APPROVED BY:

VEHICLE TYPE: RESCUE	CHASSIS: FORD F-550 CREW CAB 4X4
VIEW: STREETSIDE COMPARTMENT LAYOUT	BODY MAT'L: ALUMINUM
SCALE: NTS	BODY LENGTH: 145"
DRAWN BY: NRW	APPROVED BY:
DATE: 10/11/2022	BODY STYLE:
DWG NO.: WALKERVALLEY	REVISION:

WALKER VALLEY FIRE COMPANY 12' RESCUE

NOTE: ALL DIMENSIONS ARE APPROXIMATE

POWER DISTRIBUTION QUARTERS MOUNTED ON UPPER FRONT WALL
 VERTICAL DIVIDER FOR CUSTOMER MOUNTING OF AIR PACKS
 TRAY MOUNTED TRANSVERSE ADJUSTABLE SHELF
 STORAGE FOR THREE BACK BOARDS
 STOKES BASKET STORAGE



TRANSVERSE COMPARTMENT FLOOR EXTENDED OUT TO DOOR
 DUAL DIRECTION SLIDE OUT TRAY
 DUAL DIRECTION SLIDE OUT TRAY WITH TRAY MOUNTED TRANSVERSE ADJUSTABLE SHELF
 ADJUSTABLE SLIDE OUT TOOL BOARD WITH 3" ID DEEP X 6" HIGH TRAY AT BOTTOM ON BOTH SIDE OF TOOL BOARD
 ADJUSTABLE SLIDE OUT TOOL BOARD
 WINCH RECEIVER



WARD APPARATUS

1250 SCHWEIZER ROAD PHONE (607) 796-0149
 HORSEHEADS, NY 14845 FAX (607) 739-7092

CUSTOMER APPROVED BY:

VEHICLE TYPE: RESCUE	CHASSIS: FORD F-550 CREW CAB 4X4
VIEW: CURBSIDE COMPARTMENT LAYOUT	BODY MAT'L: ALUMINUM
SCALE: NTS	BODY LENGTH: 145"
DRAWN BY: NRW	APPROVED BY:
DATE: 10/11/2022	BODY STYLE:
DWG NO.: WALKERVALLEY	REVISION:

WALKER VALLEY FIRE COMPANY 12' RESCUE

NOTE: ALL DIMENSIONS ARE APPROXIMATE