

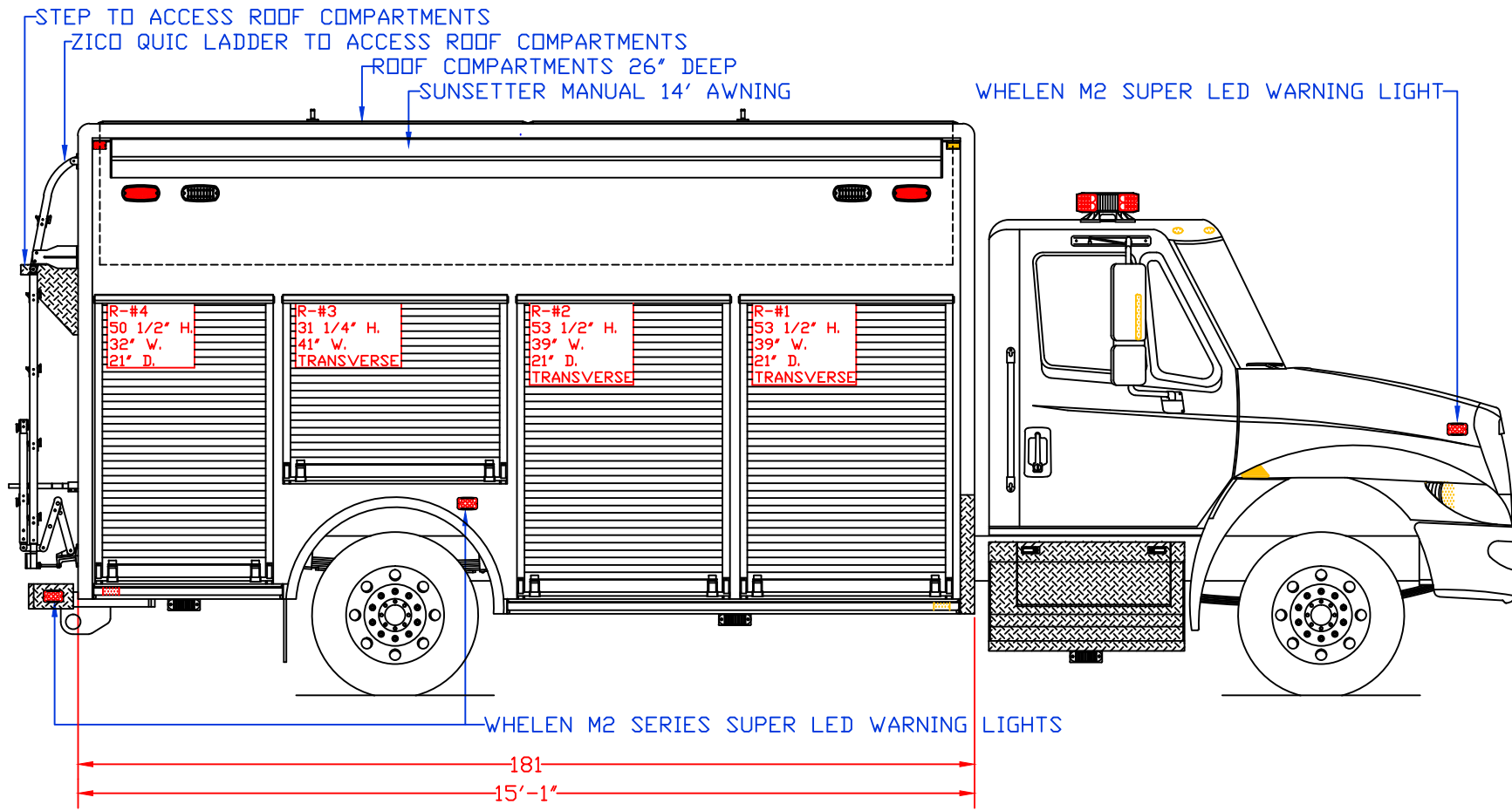
WARD APPARATUS

1250 SCHWEIZER ROAD PHONE (607) 796-0149
 HORSEHEADS, NY 14845 FAX (607) 739-7092

CUSTOMER APPROVED BY:	
VEHICLE TYPE: HAZMAT	CHASSIS: INTERNATIONAL MV607 LP REGULAR CAB 4X2
VIEW: STREETSIDE	BODY MAT'L: ALUMINUM
SCALE: NTS	BODY LENGTH: 181"
DRAWN BY: NRW	APPROVED BY:
DATE: 9/29/2023	BODY STYLE:
DWG NO.: PENTAGON15FTHAZMAT	REVISION:

PENTAGON 15' HAZMAT

NOTE: ALL DIMENSIONS ARE APPROXIMATE



WARD APPARATUS

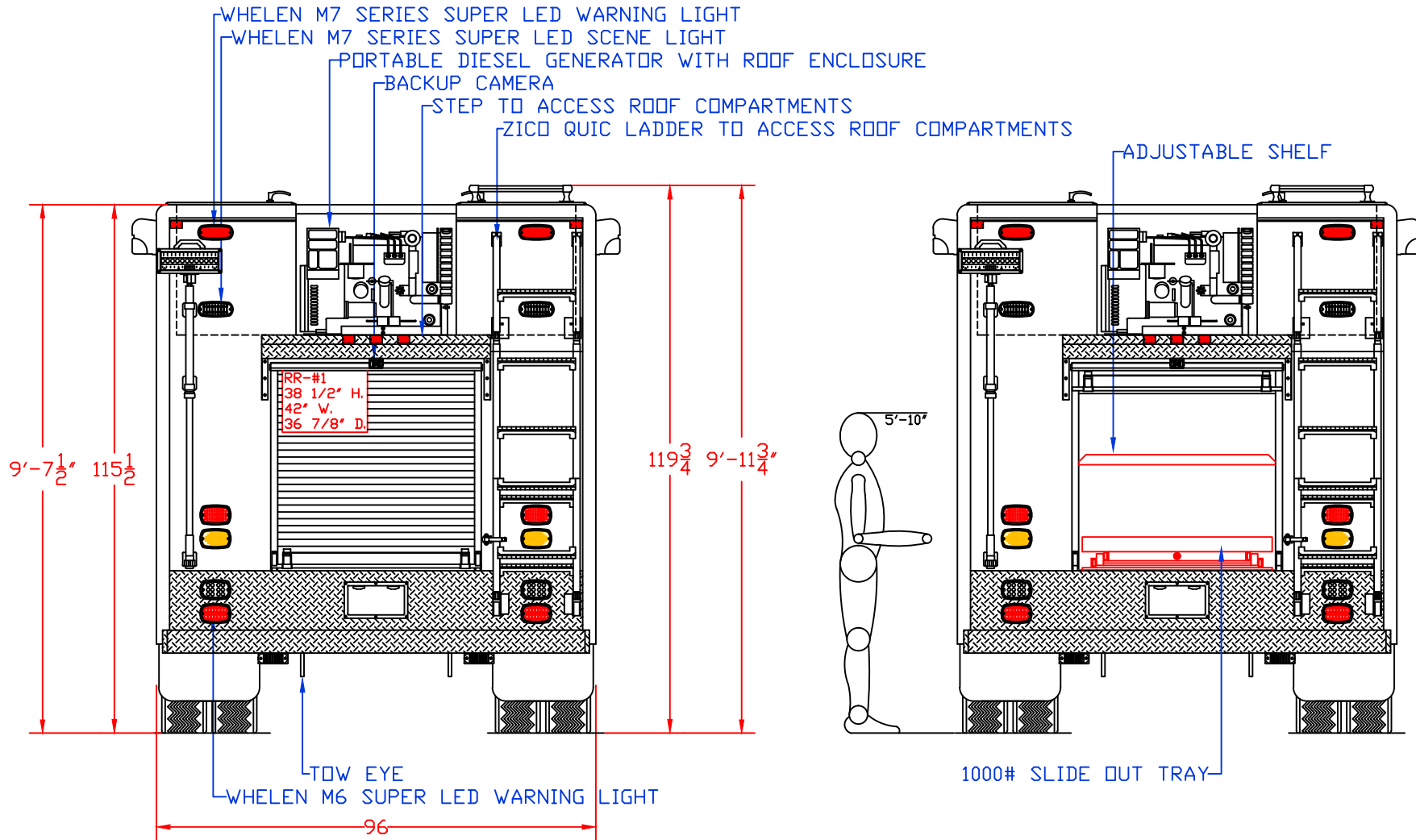
1250 SCHWEIZER ROAD PHONE (607) 796-0149
 HORSEHEADS, NY 14845 FAX (607) 739-7092

CUSTOMER APPROVED BY:

VEHICLE TYPE: HAZMAT	CHASSIS: INTERNATIONAL MV607 LP REGULAR CAB 4X2
VIEW: CURBSIDE	BODY MAT'L: ALUMINUM
SCALE: NTS	BODY LENGTH: 181"
DRAWN BY: NRW	APPROVED BY:
DATE: 9/29/2023	BODY STYLE:
DWG NO.: PENTAGON15FTHAZMAT	REVISION:

PENTAGON 15' HAZMAT

NOTE: ALL DIMENSIONS ARE APPROXIMATE



WARD APPARATUS

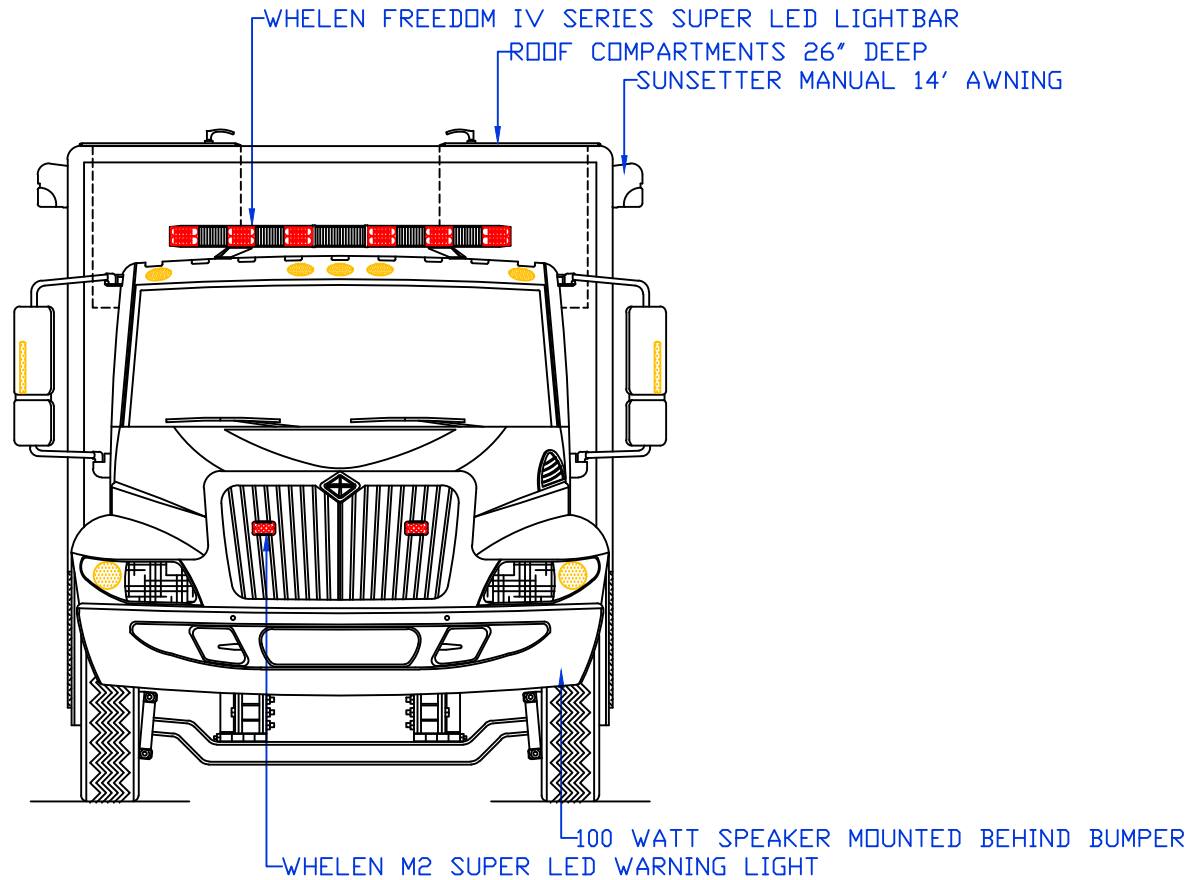
1250 SCHWEIZER ROAD PHONE (607) 796-0149
 HORSEHEADS, NY 14845 FAX (607) 739-7092

CUSTOMER APPROVED BY:

VEHICLE TYPE: HAZMAT	CHASSIS: INTERNATIONAL MV607 LP REGULAR CAB 4X2
VIEW: REAR & REAR COMPARTMENT LAYOUT	BODY MAT'L: ALUMINUM
SCALE: NTS	BODY LENGTH: 181"
DRAWN BY: NRW	APPROVED BY:
DATE: 9/29/2023	BODY STYLE:
DWG NO.: PENTAGON15FTHAZMAT	REVISION:

PENTAGON 15' HAZMAT

NOTE: ALL DIMENSIONS ARE APPROXIMATE



WARD APPARATUS

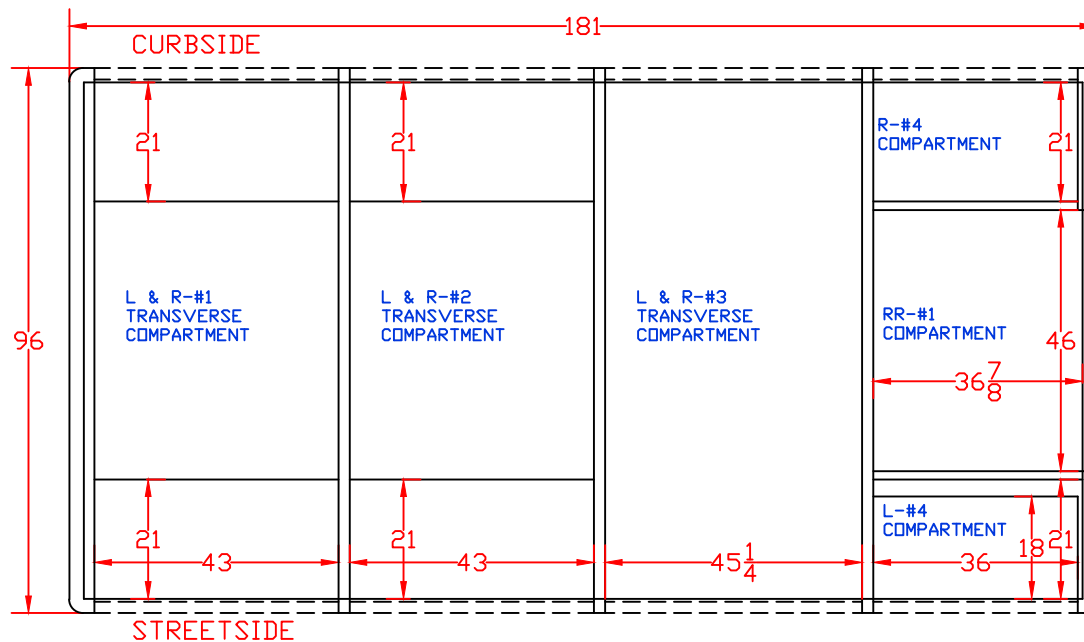
1250 SCHWEIZER ROAD PHONE (607) 796-0149
 HORSEHEADS, NY 14845 FAX (607) 739-7092

CUSTOMER APPROVED BY:

VEHICLE TYPE: HAZMAT	CHASSIS: INTERNATIONAL MV607 LP REGULAR CAB 4X2
VIEW: FRONT	BODY MAT'L: ALUMINUM
SCALE: NTS	BODY LENGTH: 181"
DRAWN BY: NRW	APPROVED BY:
DATE: 9/29/2023	BODY STYLE:
DWG NO.: PENTAGON15FTHAZMAT	REVISION:

PENTAGON 15' HAZMAT

NOTE: ALL DIMENSIONS ARE APPROXIMATE



WARD APPARATUS

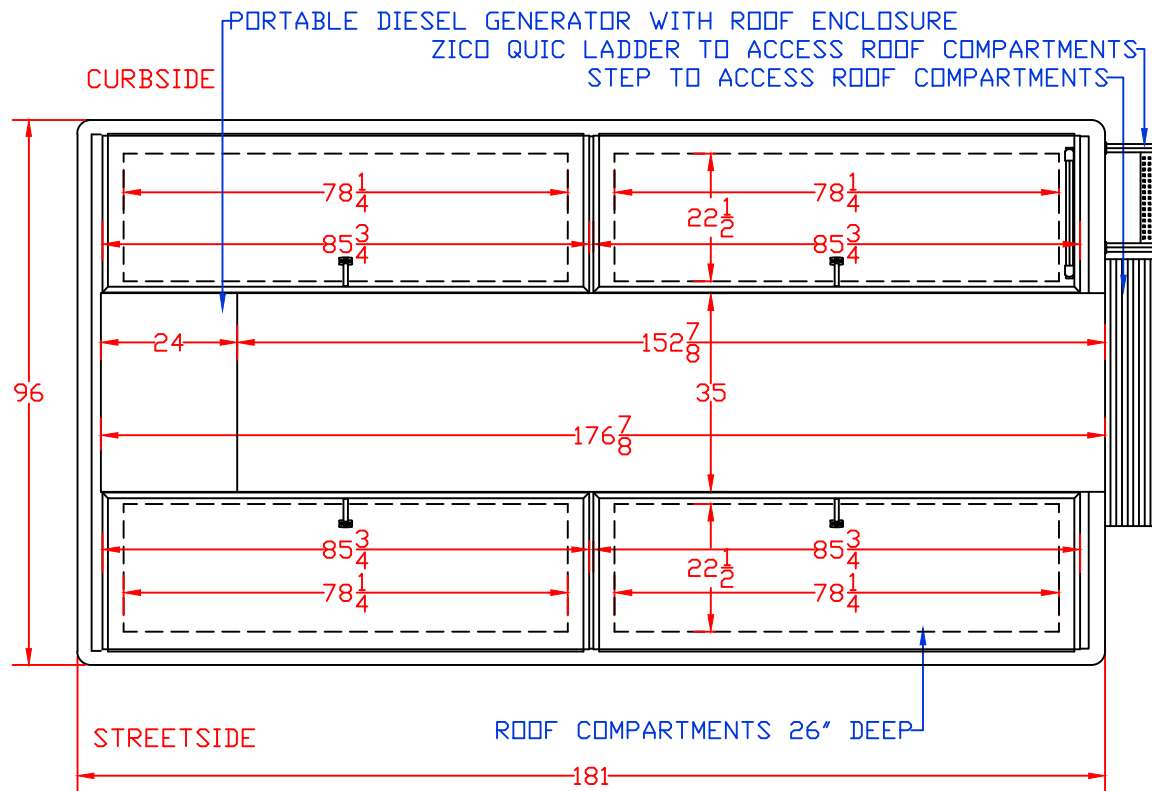
1250 SCHWEIZER ROAD PHONE (607) 796-0149
 HORSEHEADS, NY 14845 FAX (607) 739-7092

CUSTOMER APPROVED BY:

VEHICLE TYPE: HAZMAT	CHASSIS: INTERNATIONAL MV607 LP REGULAR CAB 4X2
VIEW: TOP	BODY MAT'L: ALUMINUM
SCALE: NTS	BODY LENGTH: 181"
DRAWN BY: NRW	APPROVED BY:
DATE: 9/29/2023	BODY STYLE:
DWG NO.: PENTAGON15FTHAZMAT	REVISION:

PENTAGON 15' HAZMAT

NOTE: ALL DIMENSIONS ARE APPROXIMATE



WARD APPARATUS

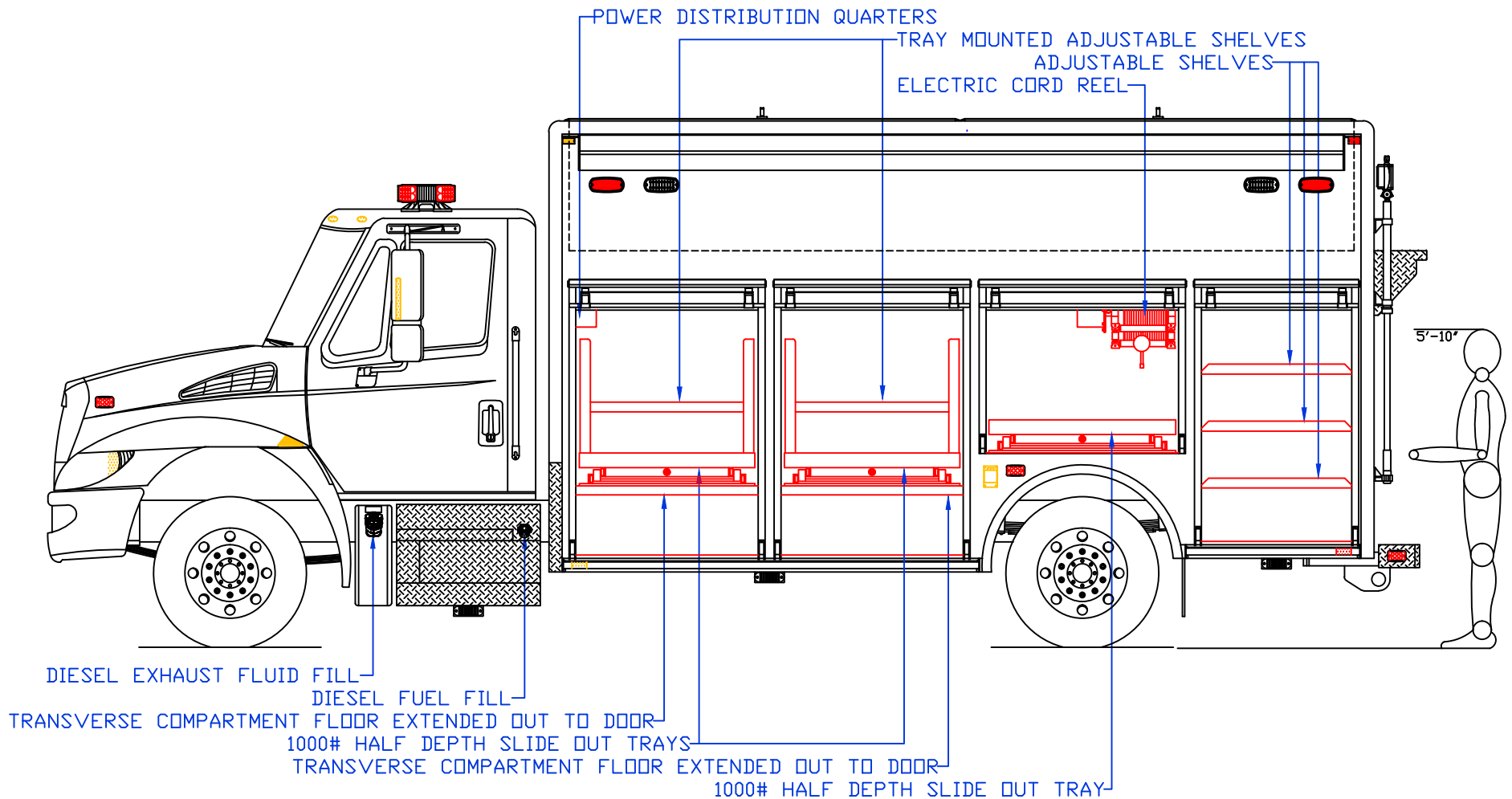
1250 SCHWEIZER ROAD PHONE (607) 796-0149
 HORSEHEADS, NY 14845 FAX (607) 739-7092

PENTAGON 15' HAZMAT

CUSTOMER APPROVED BY:

VEHICLE TYPE: HAZMAT	CHASSIS: INTERNATIONAL MV607 LP REGULAR CAB 4X2
VIEW: ROOF	BODY MAT'L: ALUMINUM
SCALE: NTS	BODY LENGTH: 181"
DRAWN BY: NRW	APPROVED BY:
DATE: 9/29/2023	BODY STYLE:
DWG NO.: PENTAGON15FTHAZMAT	REVISION:

NOTE: ALL DIMENSIONS ARE APPROXIMATE



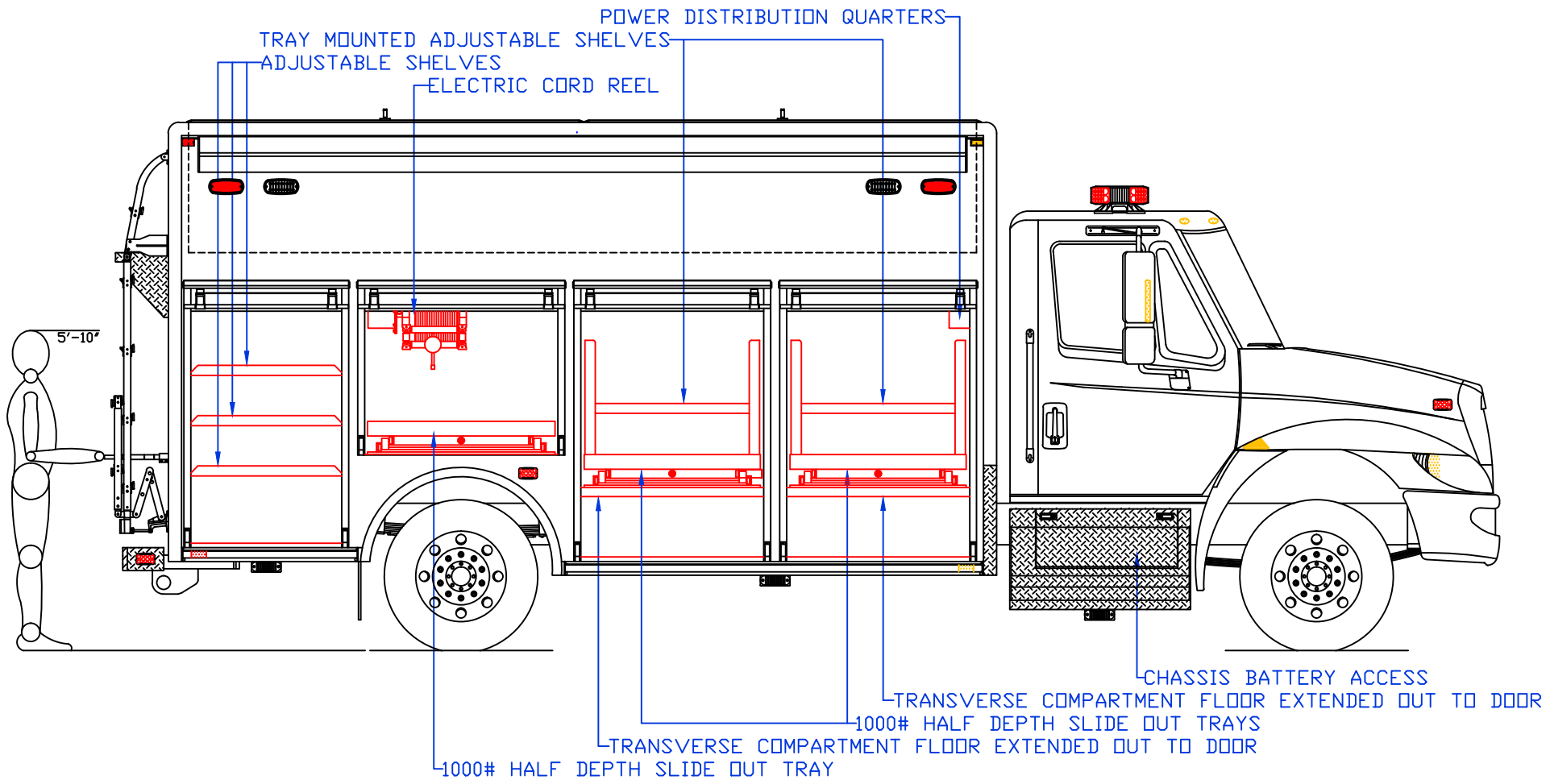
WARD APPARATUS

1250 SCHWEIZER ROAD PHONE (607) 796-0149
 HORSEHEADS, NY 14845 FAX (607) 739-7092

PENTAGON 15' HAZMAT

CUSTOMER APPROVED BY:	
VEHICLE TYPE: HAZMAT	CHASSIS: INTERNATIONAL MV607 LP REGULAR CAB 4X2
VIEW: STREETSIDE COMPARTMENT LAYOUT	BODY MAT'L: ALUMINUM
SCALE: NTS	BODY LENGTH: 181"
DRAWN BY: NRW	APPROVED BY:
DATE: 9/29/2023	BODY STYLE:
DWG NO.: PENTAGON15FTHAZMAT	REVISION:

NOTE: ALL DIMENSIONS ARE APPROXIMATE



WARD APPARATUS
 1250 SCHWEIZER ROAD PHONE (607) 796-0149
 HORSEHEADS, NY 14845 FAX (607) 739-7092

CUSTOMER APPROVED BY:	
VEHICLE TYPE: HAZMAT	CHASSIS: INTERNATIONAL MV607 LP REGULAR CAB 4X2
VIEW: CURBSIDE COMPARTMENT LAYOUT	BODY MAT'L: ALUMINUM
SCALE: NTS	BODY LENGTH: 181"
DRAWN BY: NRW	APPROVED BY:
DATE: 9/29/2023	BODY STYLE:
DWG NO.: PENTAGON15FTHAZMAT	REVISION:

PENTAGON 15' HAZMAT

NOTE: ALL DIMENSIONS ARE APPROXIMATE