

**WARD APPARATUS**

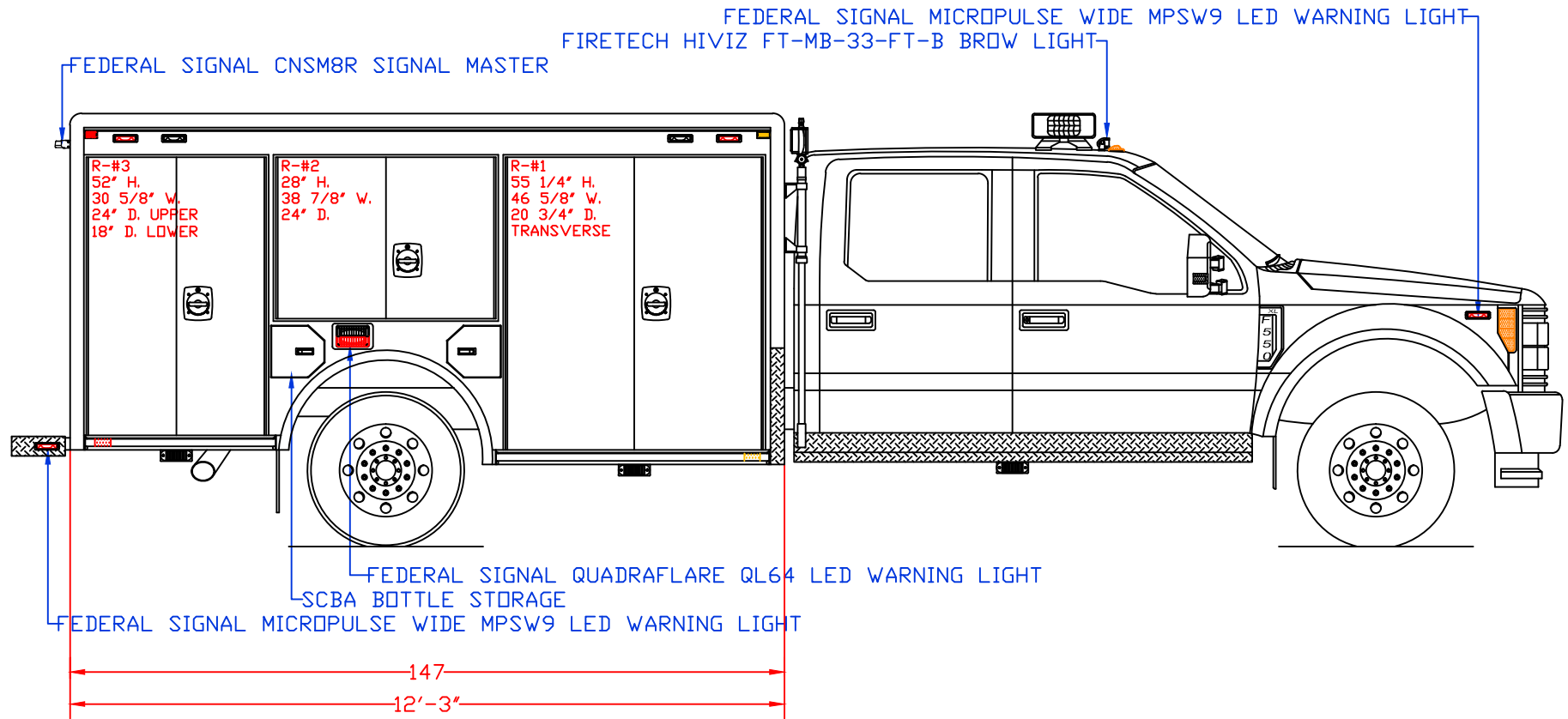
1250 SCHWEIZER ROAD PHONE (607) 796-0149  
 HORSEHEADS, NY 14845 FAX (607) 739-7092

RIVERSIDE COUNTY, CALIFORNIA

**CUSTOMER APPROVED BY:**

VEHICLE TYPE: RESCUE	CHASSIS: FORD F-550 CREW CAB 4X4
VIEW: STREETSIDE	BODY MAT'L: ALUMINUM
SCALE: NTS	BODY LENGTH: 147"
DRAWN BY: NRW	APPROVED BY:
DATE: 12/14/2022	BODY STYLE:
DWG NO.: RIVERSIDECO	REVISION:

NOTE: ALL DIMENSIONS ARE APPROXIMATE



**WARD APPARATUS**

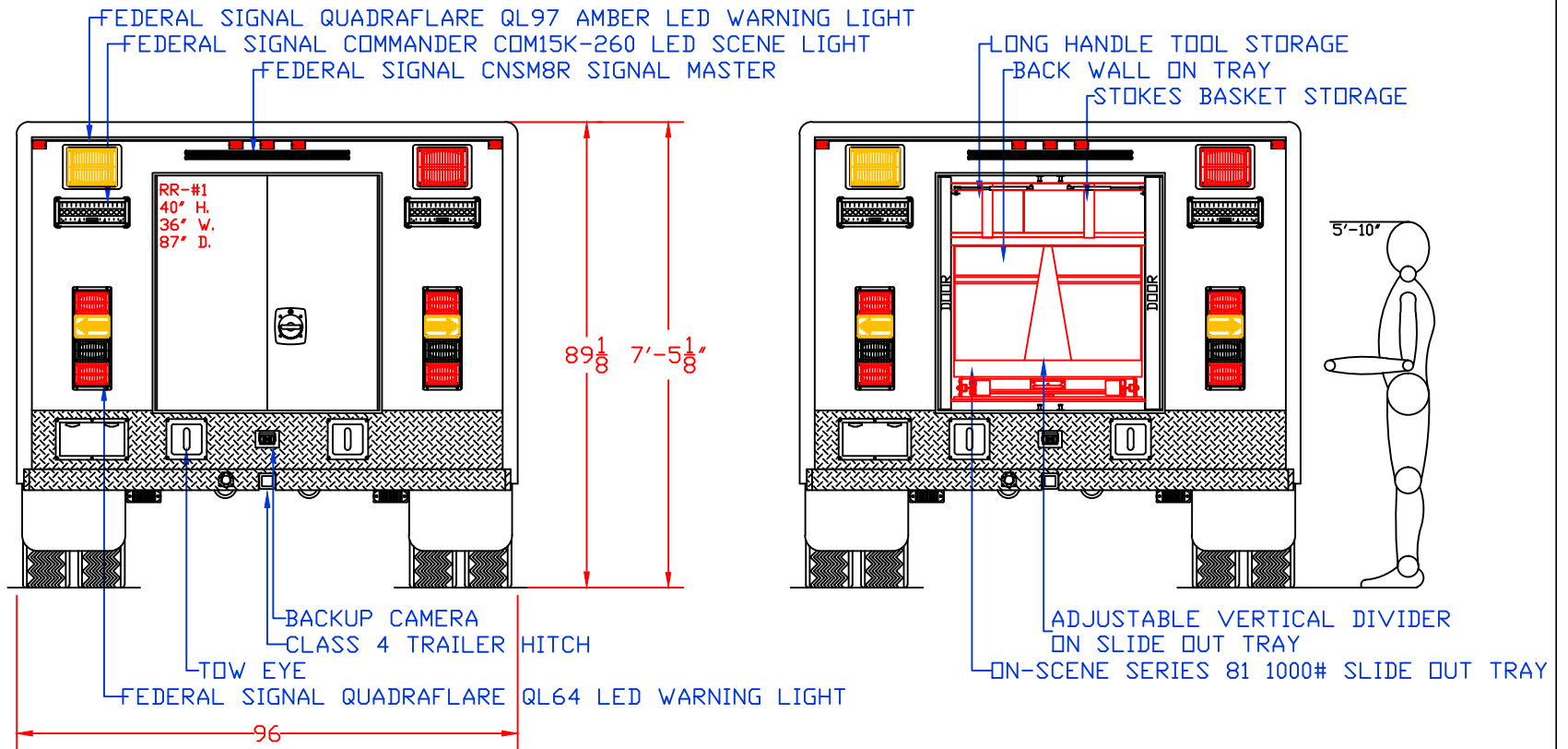
1250 SCHWEIZER ROAD PHONE (607) 796-0149  
HORSEHEADS, NY 14845 FAX (607) 739-7092

RIVERSIDE COUNTY, CALIFORNIA

**CUSTOMER APPROVED BY:**

VEHICLE TYPE: RESCUE	CHASSIS: FORD F-550 CREW CAB 4X4
VIEW: CURBSIDE	BODY MAT'L: ALUMINUM
SCALE: NTS	BODY LENGTH: 147"
DRAWN BY: NRW	APPROVED BY:
DATE: 12/14/2022	BODY STYLE:
DWG NO.: RIVERSIDECO	REVISION:

NOTE: ALL DIMENSIONS ARE APPROXIMATE



**WARD APPARATUS**

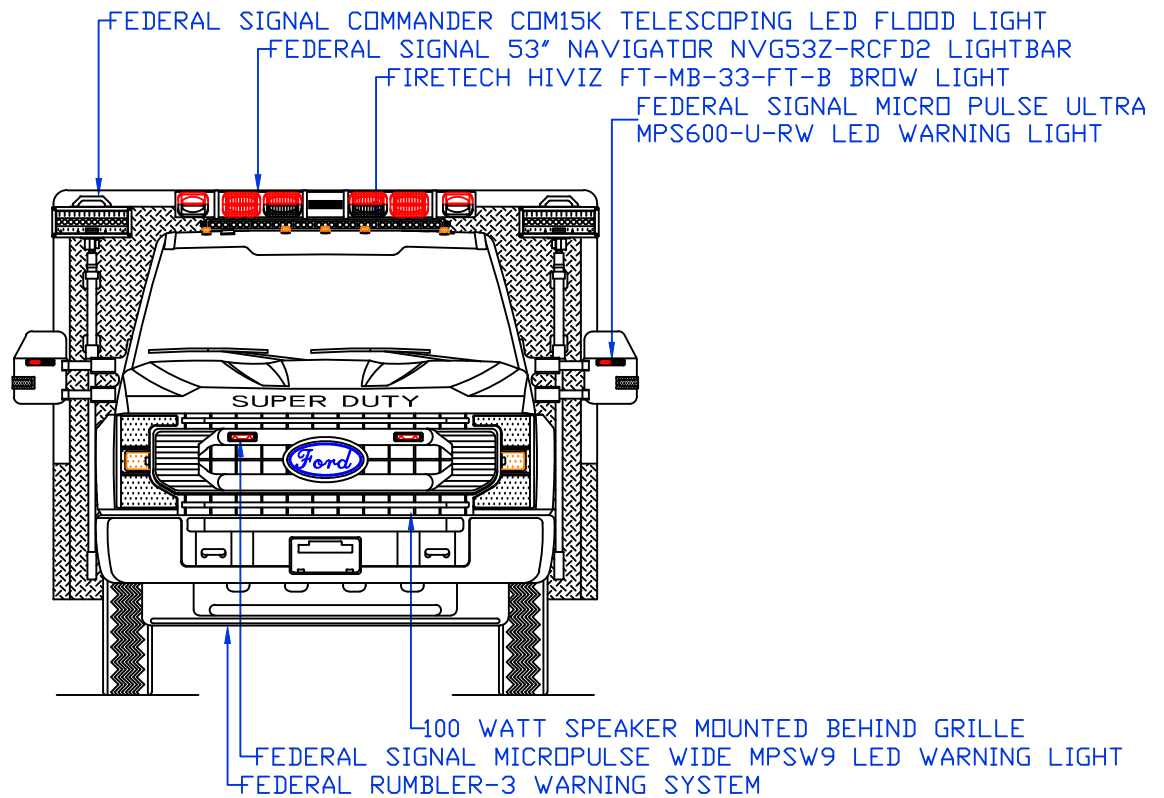
1250 SCHWEIZER ROAD PHONE (607) 796-0149  
 HORSEHEADS, NY 14845 FAX (607) 739-7092

RIVERSIDE COUNTY, CALIFORNIA

**CUSTOMER APPROVED BY:**

VEHICLE TYPE: RESCUE	CHASSIS: FORD F-550 CREW CAB 4X4
VIEW: REAR & REAR COMPARTMENT LAYOUT	BODY MAT'L: ALUMINUM
SCALE: NTS	BODY LENGTH: 147"
DRAWN BY: NRW	APPROVED BY:
DATE: 12/14/2022	BODY STYLE:
DWG NO.: RIVERSIDECO	REVISION:

*NOTE: ALL DIMENSIONS ARE APPROXIMATE*



**WARD APPARATUS**

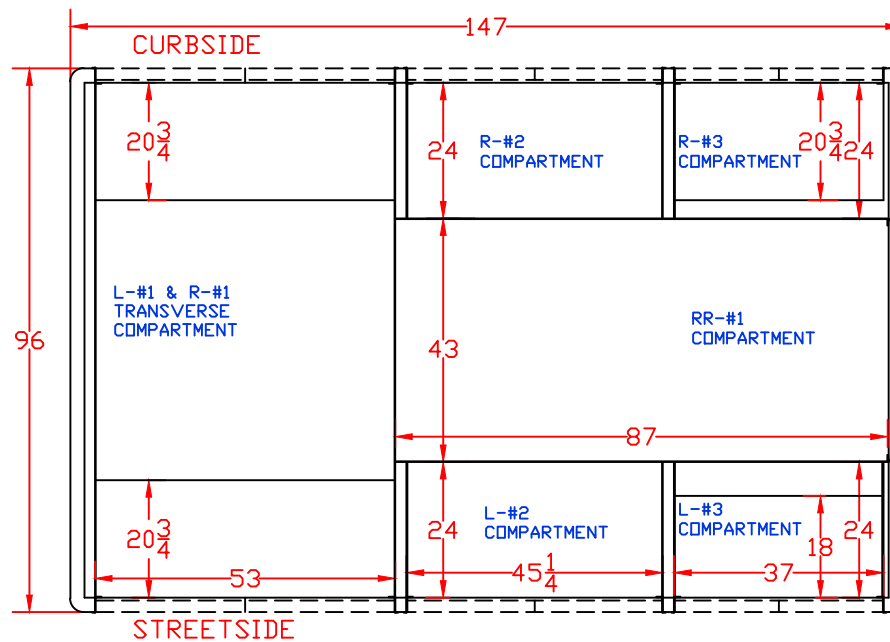
1250 SCHWEIZER ROAD PHONE (607) 796-0149  
 HORSEHEADS, NY 14845 FAX (607) 739-7092

RIVERSIDE COUNTY, CALIFORNIA

**CUSTOMER APPROVED BY:**

VEHICLE TYPE: RESCUE	CHASSIS: FORD F-550 CREW CAB 4X4
VIEW: FRONT	BODY MAT'L: ALUMINUM
SCALE: NTS	BODY LENGTH: 147"
DRAWN BY: NRW	APPROVED BY:
DATE: 12/14/2022	BODY STYLE:
DWG NO.: RIVERSIDECO	REVISION:

NOTE: ALL DIMENSIONS ARE APPROXIMATE



**WARD APPARATUS**

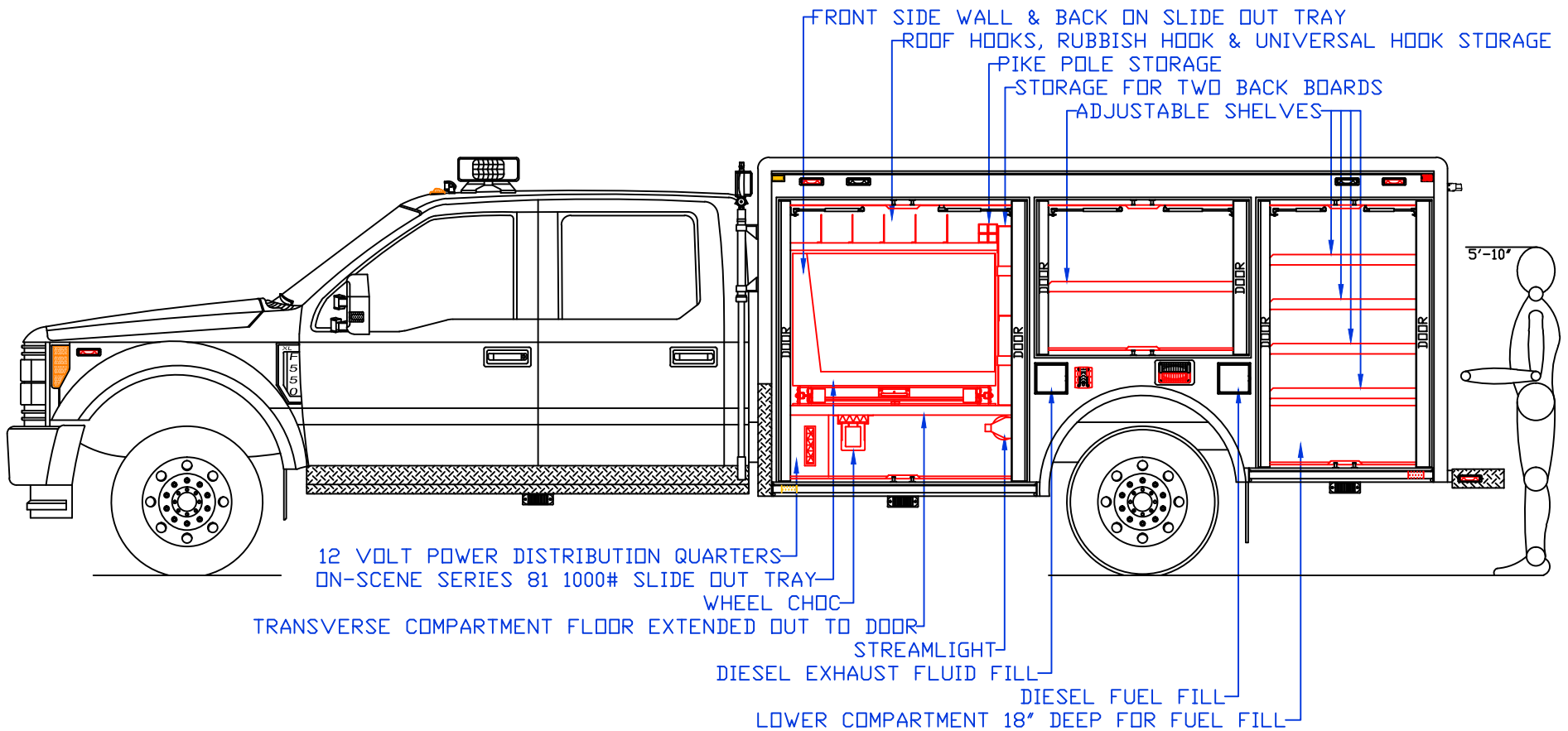
1250 SCHWEIZER ROAD PHONE (607) 796-0149  
 HORSEHEADS, NY 14845 FAX (607) 739-7092

RIVERSIDE COUNTY, CALIFORNIA

**CUSTOMER APPROVED BY:**

VEHICLE TYPE: RESCUE	CHASSIS: FORD F-550 CREW CAB 4X4
VIEW: TOP	BODY MAT'L: ALUMINUM
SCALE: NTS	BODY LENGTH: 147"
DRAWN BY: NRW	APPROVED BY:
DATE: 12/14/2022	BODY STYLE:
DWG NO.: RIVERSIDECO	REVISION:

*NOTE: ALL DIMENSIONS ARE APPROXIMATE*

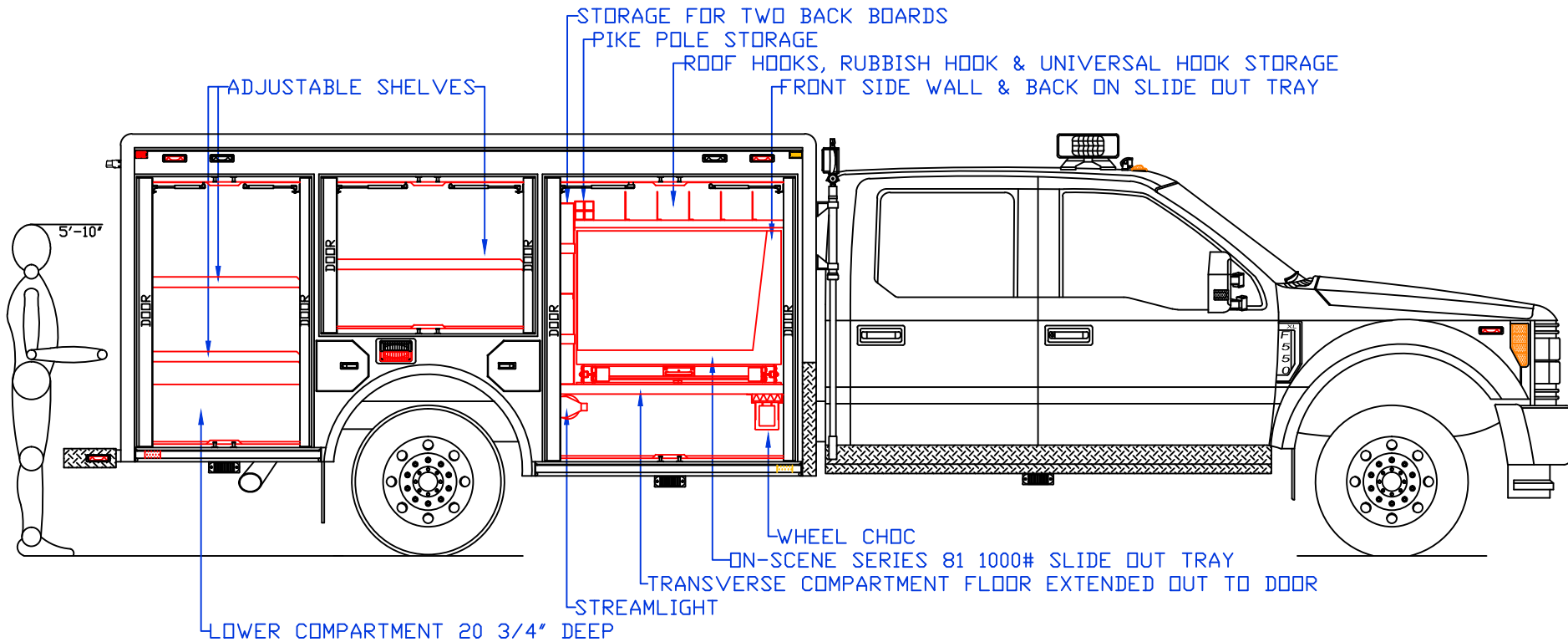


**WARD APPARATUS**  
 1250 SCHWEIZER ROAD PHONE (607) 796-0149  
 HORSEHEADS, NY 14845 FAX (607) 739-7092

<b>CUSTOMER APPROVED BY:</b>	
VEHICLE TYPE: RESCUE	CHASSIS: FORD F-550 CREW CAB 4X4
VIEW: STREETSIDE COMPARTMENT LAYOUT	BODY MAT'L: ALUMINUM
SCALE: NTS	BODY LENGTH: 147"
DRAWN BY: NRW	APPROVED BY:
DATE: 12/14/2022	BODY STYLE:
DWG NO.: RIVERSIDECO	REVISION:

RIVERSIDE COUNTY, CALIFORNIA

NOTE: ALL DIMENSIONS ARE APPROXIMATE



**WARD APPARATUS**

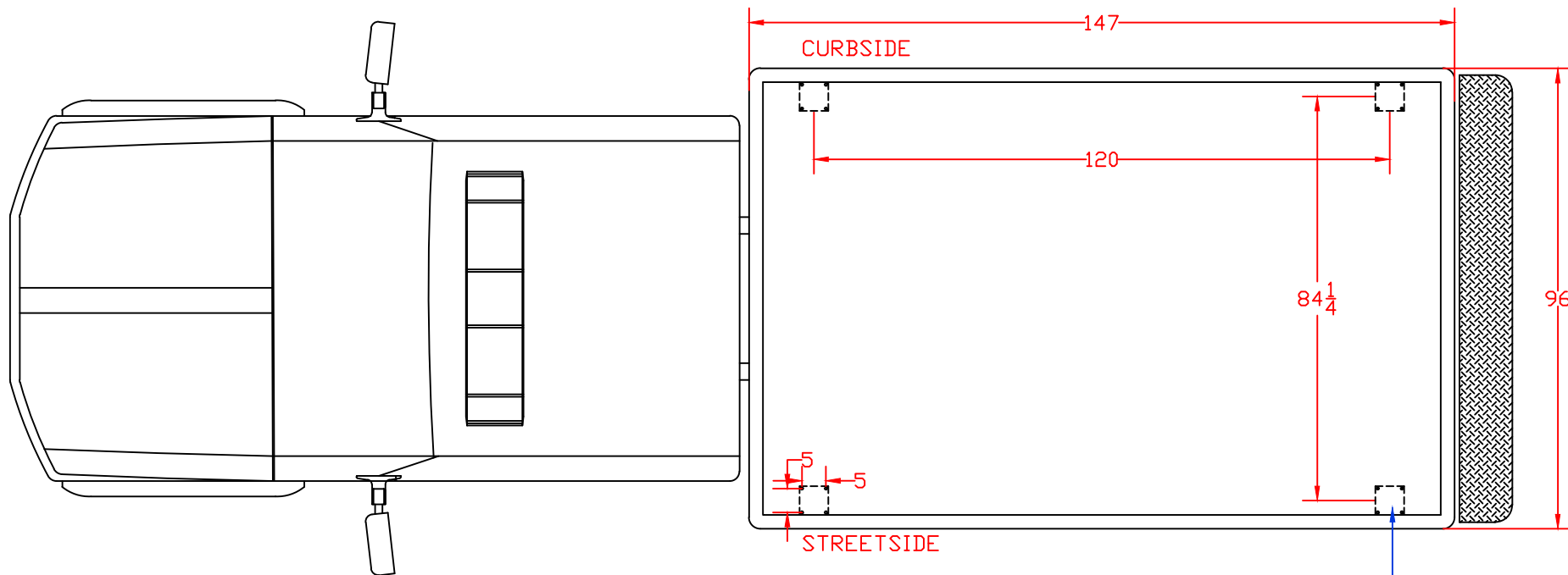
1250 SCHWEIZER ROAD PHONE (607) 796-0149  
 HORSEHEADS, NY 14845 FAX (607) 739-7092

RIVERSIDE COUNTY, CALIFORNIA

**CUSTOMER APPROVED BY:**

VEHICLE TYPE: RESCUE	CHASSIS: FORD F-550 CREW CAB 4X4
VIEW: CURBSIDE COMPARTMENT LAYOUT	BODY MAT'L: ALUMINUM
SCALE: NTS	BODY LENGTH: 147"
DRAWN BY: NRW	APPROVED BY:
DATE: 12/14/2022	BODY STYLE:
DWG NO.: RIVERSIDECO	REVISION:

*NOTE: ALL DIMENSIONS ARE APPROXIMATE*



FOUR 1/4" BACKER PLATES WITH FOUR 3/8" BOLTS TAPPED INTO PLATES 5" ON CENTER



**WARD APPARATUS**

1250 SCHWEIZER ROAD PHONE (607) 796-0149  
 HORSEHEADS, NY 14845 FAX (607) 739-7092

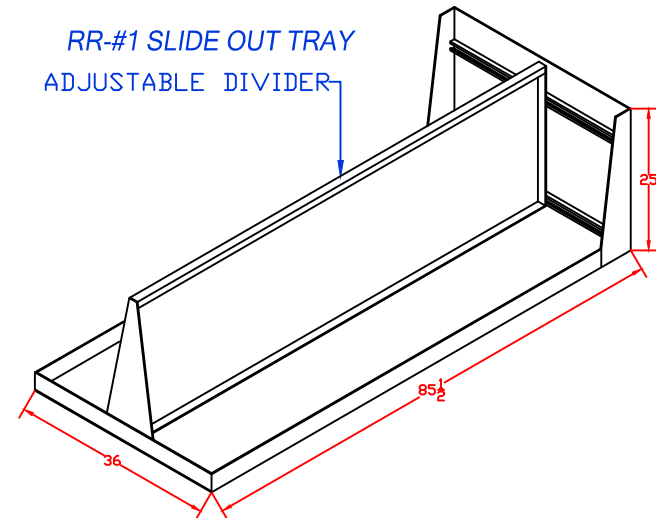
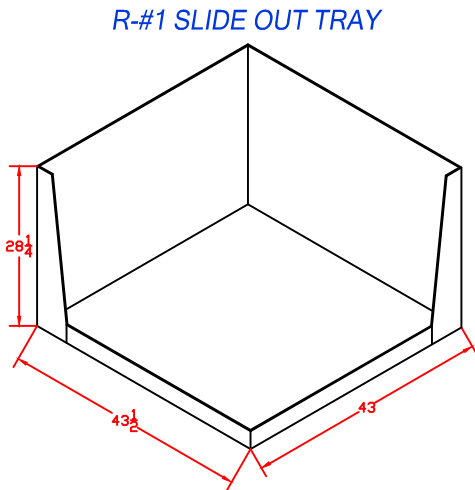
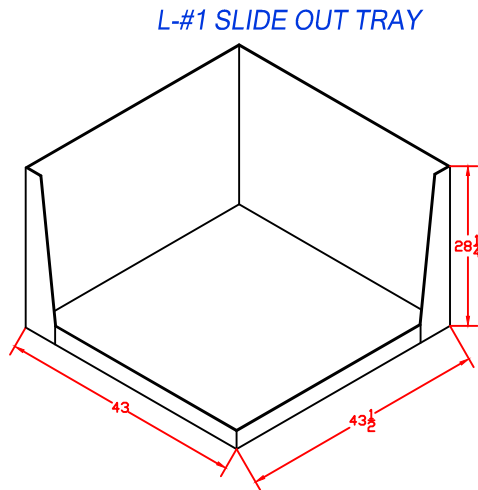
RIVERSIDE COUNTY, CALIFORNIA

**CUSTOMER APPROVED BY:**

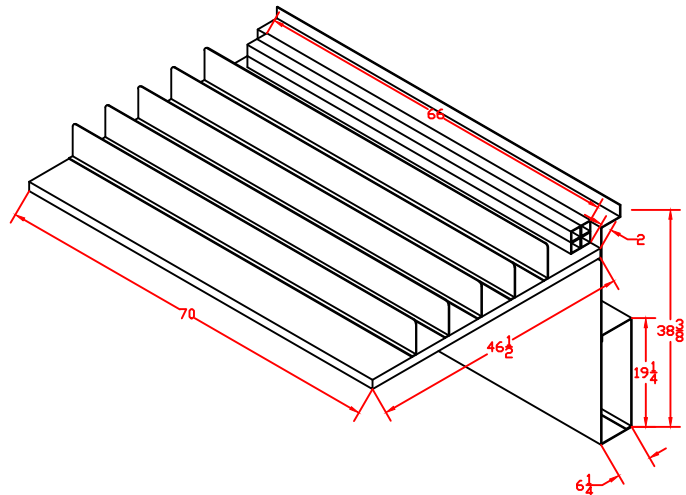
VEHICLE TYPE: RESCUE	CHASSIS: FORD F-550 CREW CAB 4X4
VIEW: ROOF	BODY MAT'L: ALUMINUM
SCALE: NTS	BODY LENGTH: 147"
DRAWN BY: NRW	APPROVED BY:
DATE: 12/14/2022	BODY STYLE:
DWG NO.: RIVERSIDECO	REVISION:

*NOTE: ALL DIMENSIONS ARE APPROXIMATE*





L & R-#1 COMP. ROOF HOOKS, RUBBISH HOOK, UNIVERSAL HOOK PRY BARS, PIKE POLE & BACK BOARDS



NOTE: ALL DIMENSIONS ARE APPROXIMATE AND SUBJECT TO ADJUSTMENT



**WARD APPARATUS**  
1250 SCHWEIZER ROAD PHONE (607) 796-0149  
HORSEHEADS, NY 14845 FAX (607) 739-7092

RIVERSIDE COUNTY, CALIFORNIA

<b>CUSTOMER APPROVED BY:</b>	
VEHICLE TYPE: RESCUE	CHASSIS: FORD F-550 CREW CAB 4X4
VIEW: SLIDE OUT TRAY & LR-#1 STORAGE	BODY MAT'L: ALUMINUM
SCALE: NTS	BODY LENGTH: 147"
DRAWN BY: NRW	APPROVED BY:
DATE: 12/14/2022	BODY STYLE:
DWG NO.: RIVERSIDECO	REVISION:

NOTE: ALL DIMENSIONS ARE APPROXIMATE