

WARD APPARATUS

1250 SCHWEIZER ROAD PHONE (607) 796-0149
 HORSEHEADS, NY 14845 FAX (607) 739-7092

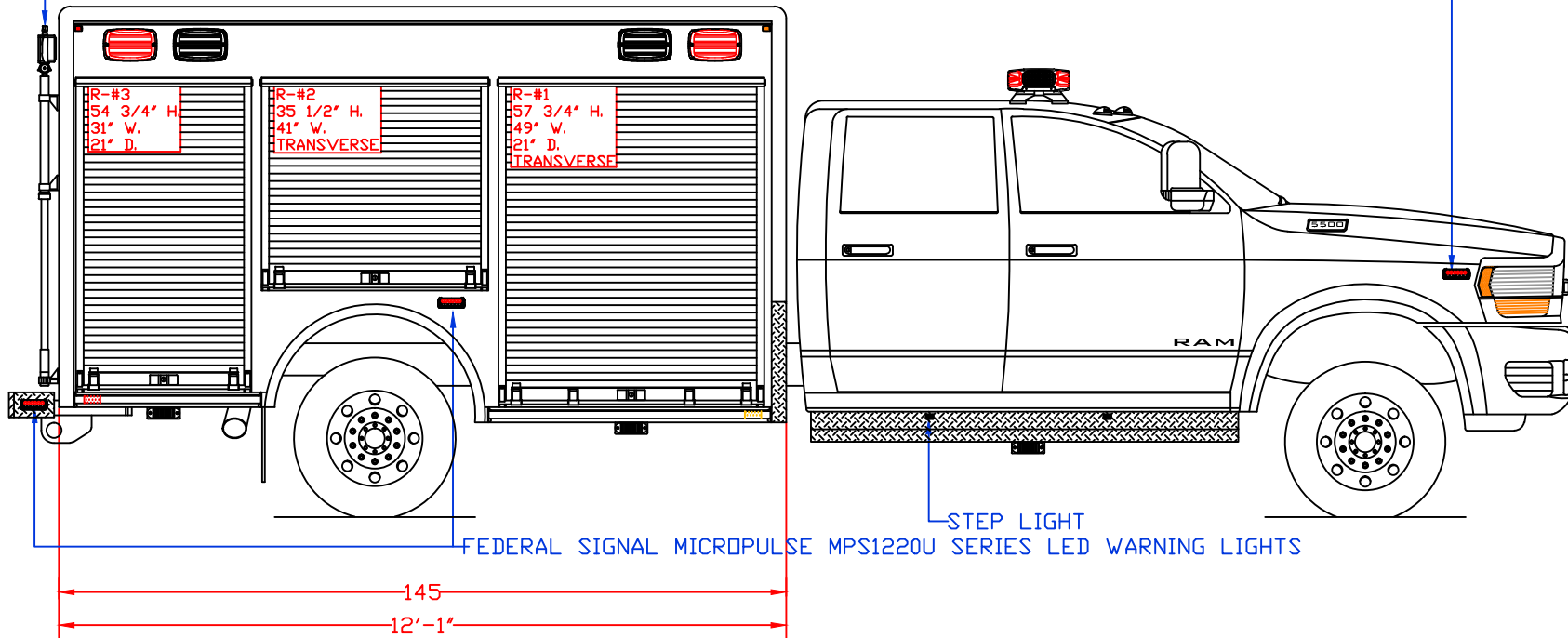
CUSTOMER APPROVED BY:

VEHICLE TYPE: RESCUE	CHASSIS: RAM 5500 CREW CAB 4X4
VIEW: STREETSIDE	BODY MAT'L: ALUMINUM
SCALE: NTS	BODY LENGTH: 145"
DRAWN BY: NRW	APPROVED BY:
DATE: 8/30/2023	BODY STYLE:
DWG NO.: LAKETOWNSHIP	REVISION:

LAKE TOWNSHIP VFD 12' RESCUE

NOTE: ALL DIMENSIONS ARE APPROXIMATE

FIRE RESEARCH SPECTRA SPA100-Q15 TELESCOPING LED SPOTLIGHT/FLOODLIGHT
 FEDERAL SIGNAL MICROPULSE MPS1220U SERIES LED WARNING LIGHT-



WARD APPARATUS

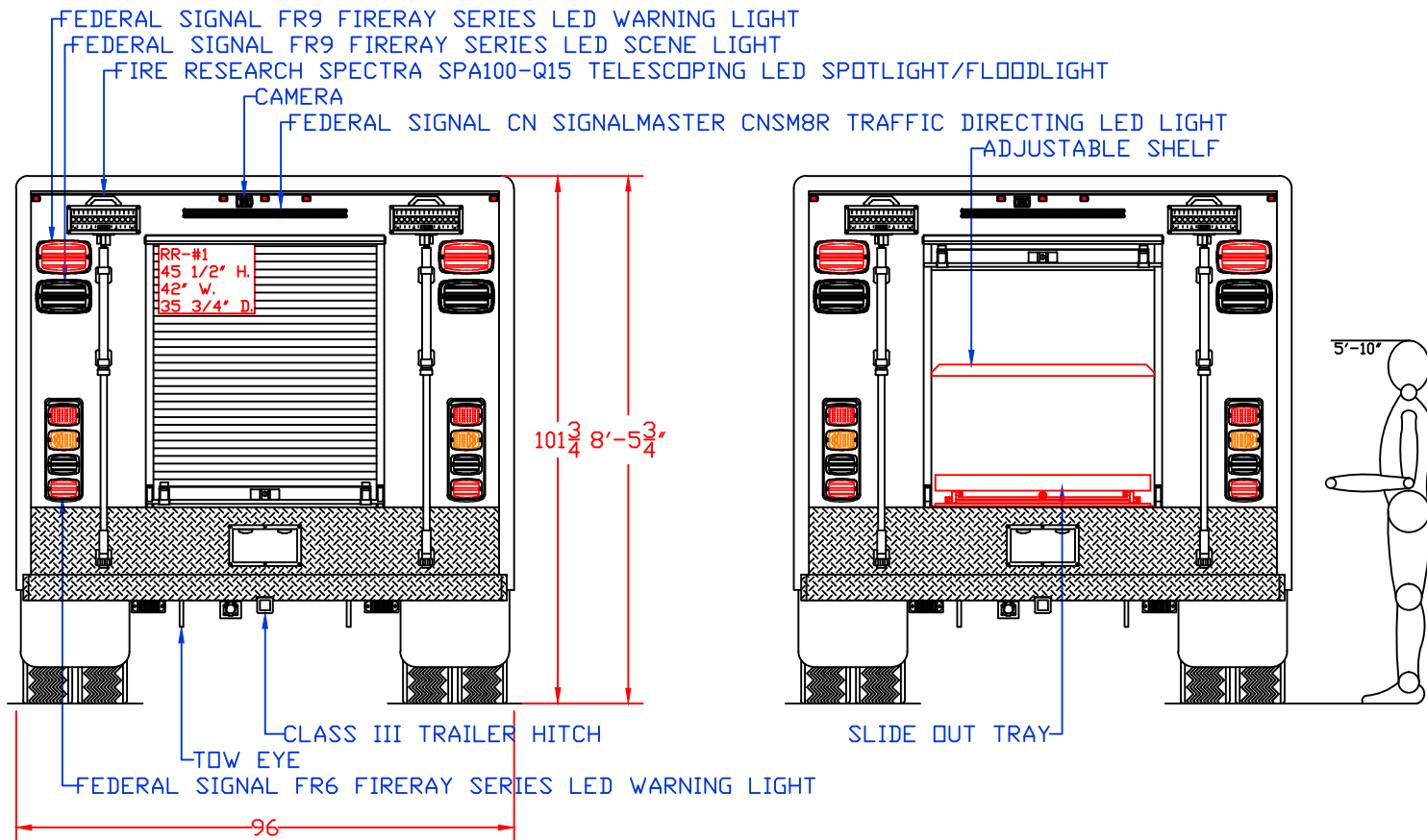
1250 SCHWEIZER ROAD PHONE (607) 796-0149
 HORSEHEADS, NY 14845 FAX (607) 739-7092

CUSTOMER APPROVED BY:

VEHICLE TYPE: RESCUE	CHASSIS: RAM 5500 CREW CAB 4X4
VIEW: CURBSIDE	BODY MAT'L: ALUMINUM
SCALE: NTS	BODY LENGTH: 145"
DRAWN BY: NRW	APPROVED BY:
DATE: 8/30/2023	BODY STYLE:
DWG NO.: LAKE TOWNSHIP	REVISION:

LAKE TOWNSHIP VFD 12' RESCUE

NOTE: ALL DIMENSIONS ARE APPROXIMATE



WARD APPARATUS

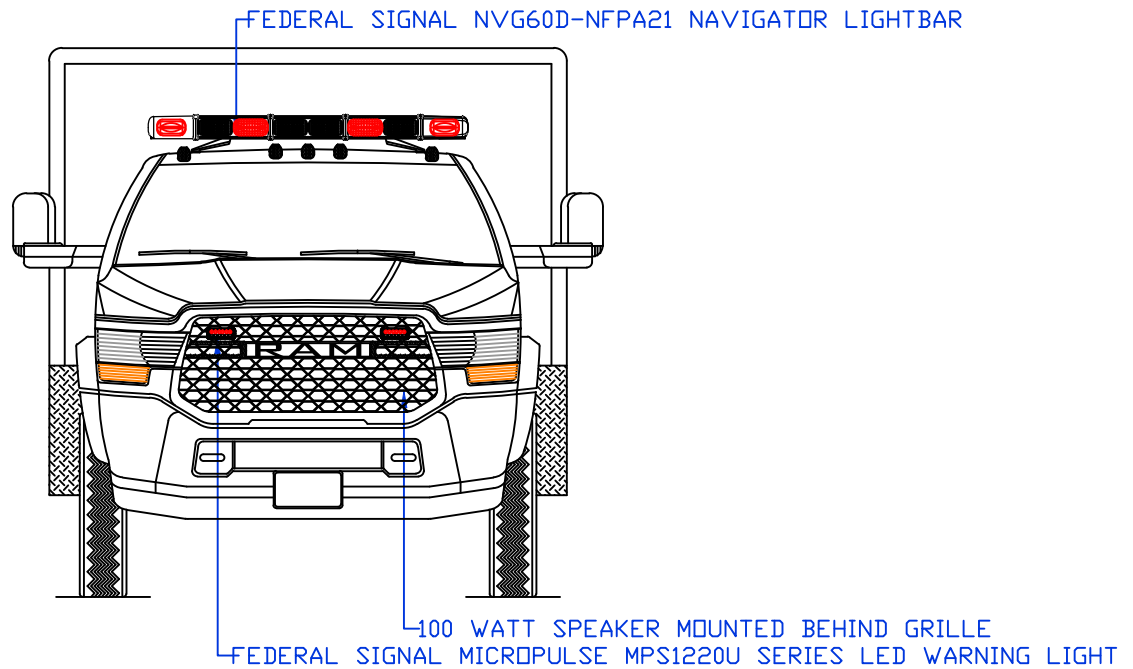
1250 SCHWEIZER ROAD PHONE (607) 796-0149
 HORSEHEADS, NY 14845 FAX (607) 739-7092

LAKE TOWNSHIP VFD 12' RESCUE

CUSTOMER APPROVED BY:

VEHICLE TYPE: RESCUE	CHASSIS: RAM 5500 CREW CAB 4X4
VIEW: REAR & REAR COMPARTMENT LAYOUT	BODY MAT'L: ALUMINUM
SCALE: NTS	BODY LENGTH: 145"
DRAWN BY: NRW	APPROVED BY:
DATE: 8/30/2023	BODY STYLE:
DWG NO.: LAKETOWNSHIP	REVISION:

NOTE: ALL DIMENSIONS ARE APPROXIMATE



WARD APPARATUS

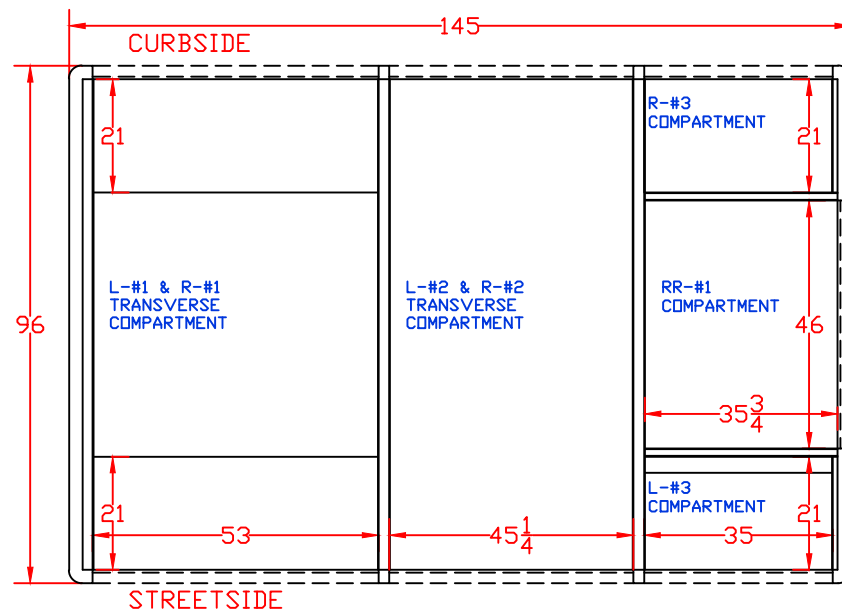
1250 SCHWEIZER ROAD PHONE (607) 796-0149
HORSEHEADS, NY 14845 FAX (607) 739-7092

LAKE TOWNSHIP VFD 12' RESCUE

CUSTOMER APPROVED BY:

VEHICLE TYPE: RESCUE	CHASSIS: RAM 5500 CREW CAB 4X4
VIEW: FRONT	BODY MAT'L: ALUMINUM
SCALE: NTS	BODY LENGTH: 145"
DRAWN BY: NRW	APPROVED BY:
DATE: 8/30/2023	BODY STYLE:
DWG NO.: LAKETOWNSHIP	REVISION:

NOTE: ALL DIMENSIONS ARE APPROXIMATE



WARD APPARATUS

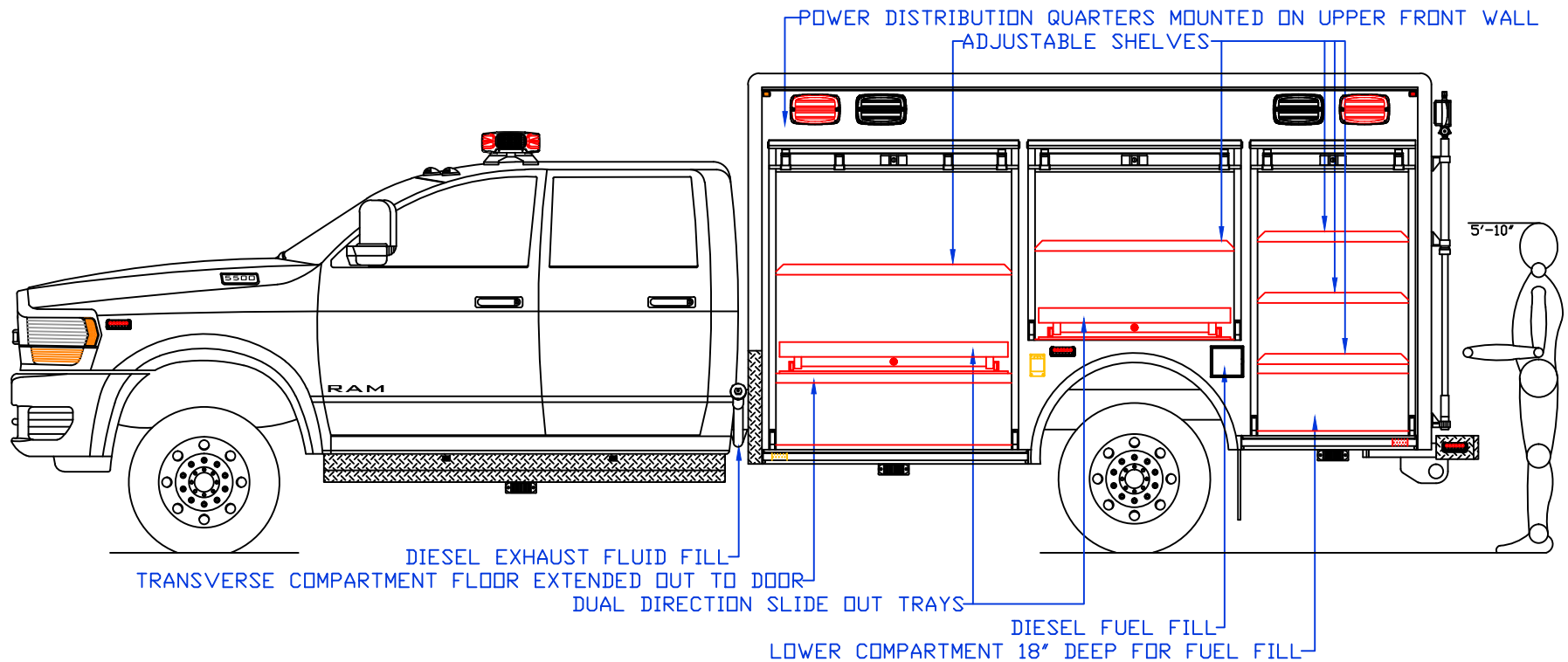
1250 SCHWEIZER ROAD PHONE (607) 796-0149
 HORSEHEADS, NY 14845 FAX (607) 739-7092

LAKE TOWNSHIP VFD 12' RESCUE

CUSTOMER APPROVED BY: _____

VEHICLE TYPE: RESCUE	CHASSIS: RAM 5500 CREW CAB 4X4
VIEW: TOP	BODY MAT'L: ALUMINUM
SCALE: NTS	BODY LENGTH: 145"
DRAWN BY: NRW	APPROVED BY:
DATE: 8/30/2023	BODY STYLE:
DWG NO.: LAKETOWNSHIP	REVISION:

NOTE: ALL DIMENSIONS ARE APPROXIMATE



WARD APPARATUS

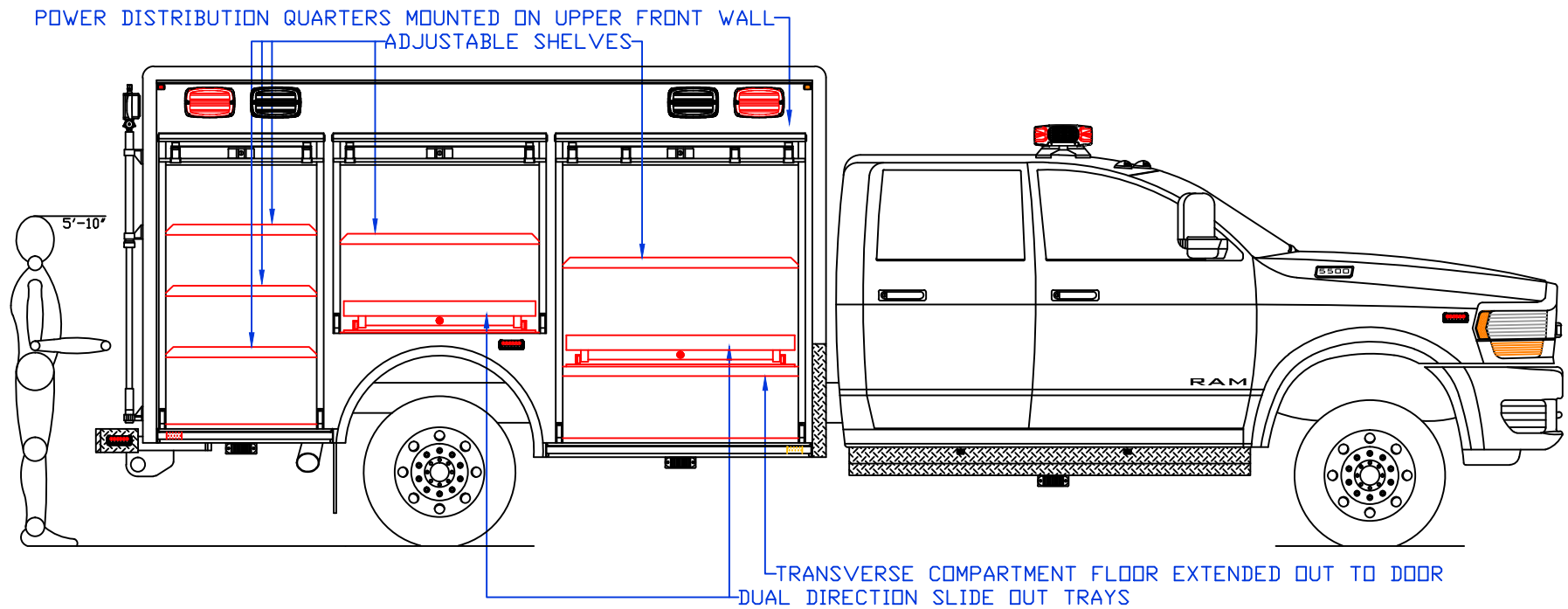
1250 SCHWEIZER ROAD PHONE (607) 796-0149
 HORSEHEADS, NY 14845 FAX (607) 739-7092

LAKE TOWNSHIP VFD 12' RESCUE

CUSTOMER APPROVED BY:

VEHICLE TYPE: RESCUE	CHASSIS: RAM 5500 CREW CAB 4X4
VIEW: STREETSIDE COMPARTMENT LAYOUT	BODY MAT'L: ALUMINUM
SCALE: NTS	BODY LENGTH: 145"
DRAWN BY: NRW	APPROVED BY:
DATE: 8/30/2023	BODY STYLE:
DWG NO.: LAKETOWNSHIP	REVISION:

NOTE: ALL DIMENSIONS ARE APPROXIMATE



WARD APPARATUS

1250 SCHWEIZER ROAD PHONE (607) 796-0149
 HORSEHEADS, NY 14845 FAX (607) 739-7092

LAKE TOWNSHIP VFD 12' RESCUE

CUSTOMER APPROVED BY:

VEHICLE TYPE: RESCUE	CHASSIS: RAM 5500 CREW CAB 4X4
VIEW: CURBSIDE COMPARTMENT LAYOUT	BODY MAT'L: ALUMINUM
SCALE: NTS	BODY LENGTH: 145"
DRAWN BY: NRW	APPROVED BY:
DATE: 8/30/2023	BODY STYLE:
DWG NO.: LAKE TOWNSHIP	REVISION:

NOTE: ALL DIMENSIONS ARE APPROXIMATE