

**WARD APPARATUS**

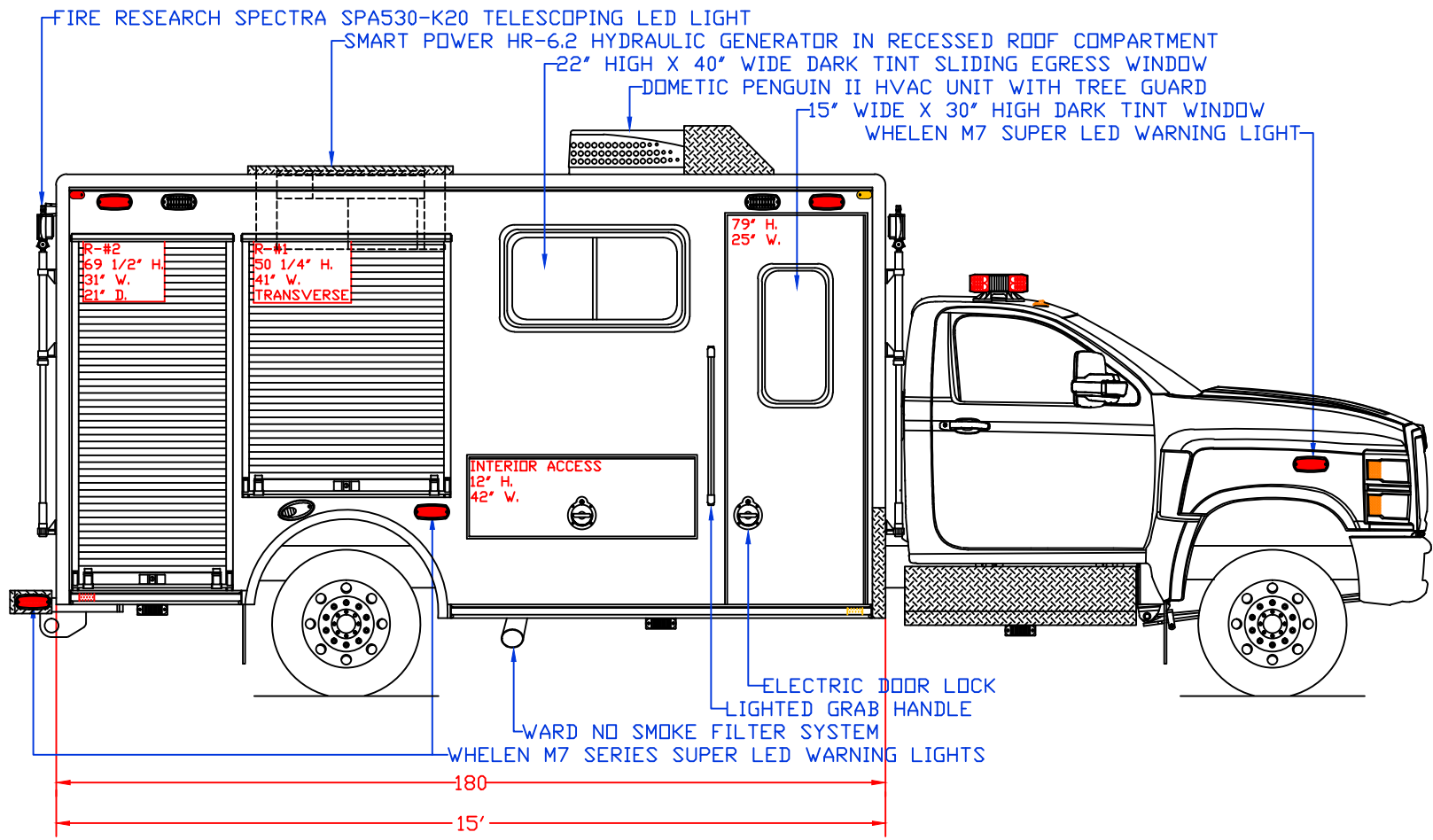
1250 SCHWEIZER ROAD PHONE (607) 796-0149  
 HORSEHEADS, NY 14845 FAX (607) 739-7092

**CUSTOMER APPROVED BY:**

VEHICLE TYPE: INVESTIGATION	CHASSIS: INTERNATIONAL CV515 REGULAR CAB 4X4
VIEW: STREETSIDE	BODY MAT'L: ALUMINUM
SCALE: NTS	BODY LENGTH: 180"
DRAWN BY: NRW	APPROVED BY:
DATE: 12/5/2022	BODY STYLE:
DWG NO.: DUTCHESSCO	REVISION:

DUTCHESS COUNTY FIRE INVESTIGATION

NOTE: ALL DIMENSIONS ARE APPROXIMATE

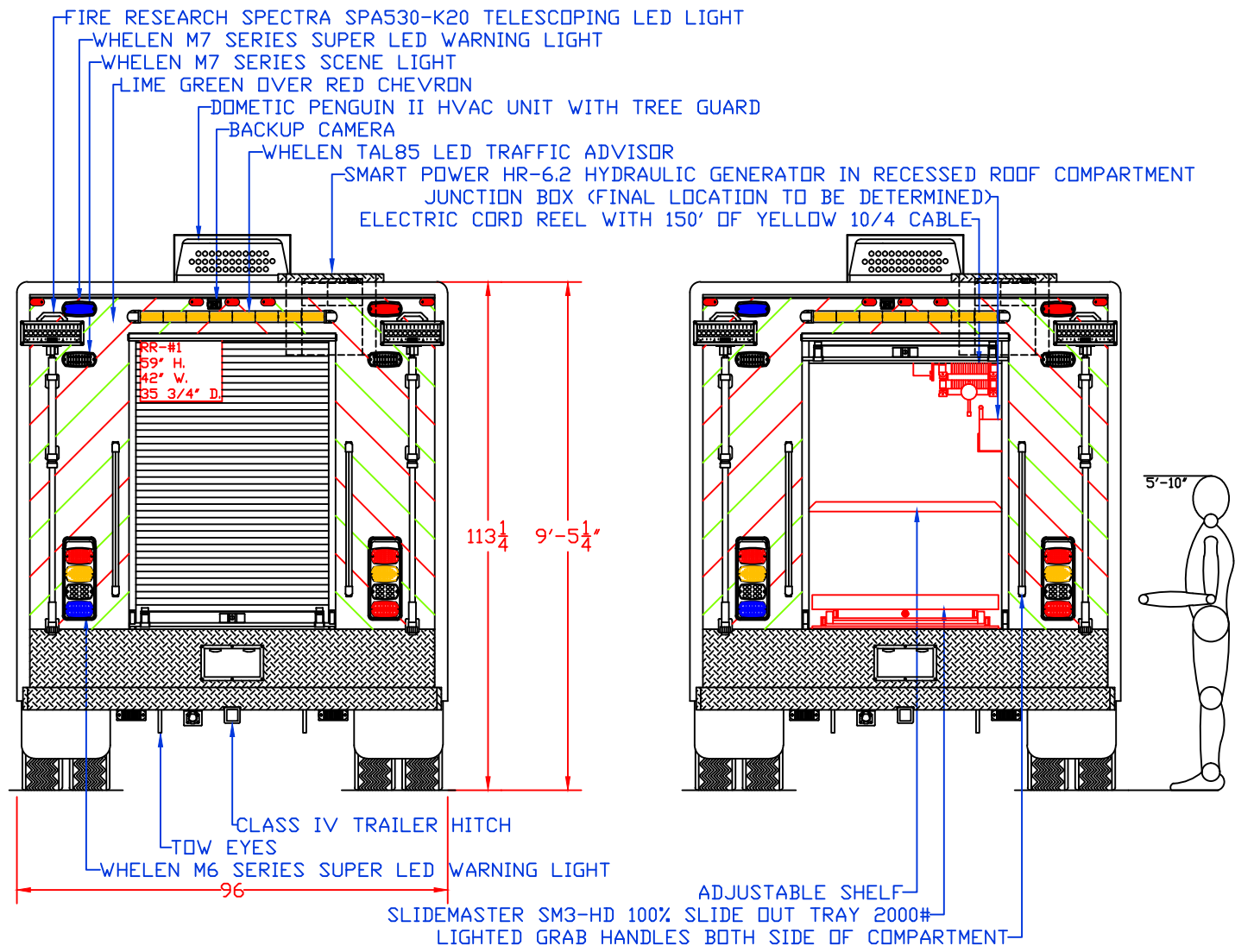


**WARD APPARATUS**  
 1250 SCHWEIZER ROAD PHONE (607) 796-0149  
 HORSEHEADS, NY 14845 FAX (607) 739-7092

<b>CUSTOMER APPROVED BY:</b>	
VEHICLE TYPE: INVESTIGATION	CHASSIS: INTERNATIONAL CV515 REGULAR CAB 4X4
VIEW: CURBSIDE	BODY MAT'L: ALUMINUM
SCALE: NTS	BODY LENGTH: 180"
DRAWN BY: NRW	APPROVED BY:
DATE: 12/5/2022	BODY STYLE:
DWG NO.: DUTCHESSCO	REVISION:

DUTCHESS COUNTY FIRE INVESTIGATION

NOTE: ALL DIMENSIONS ARE APPROXIMATE

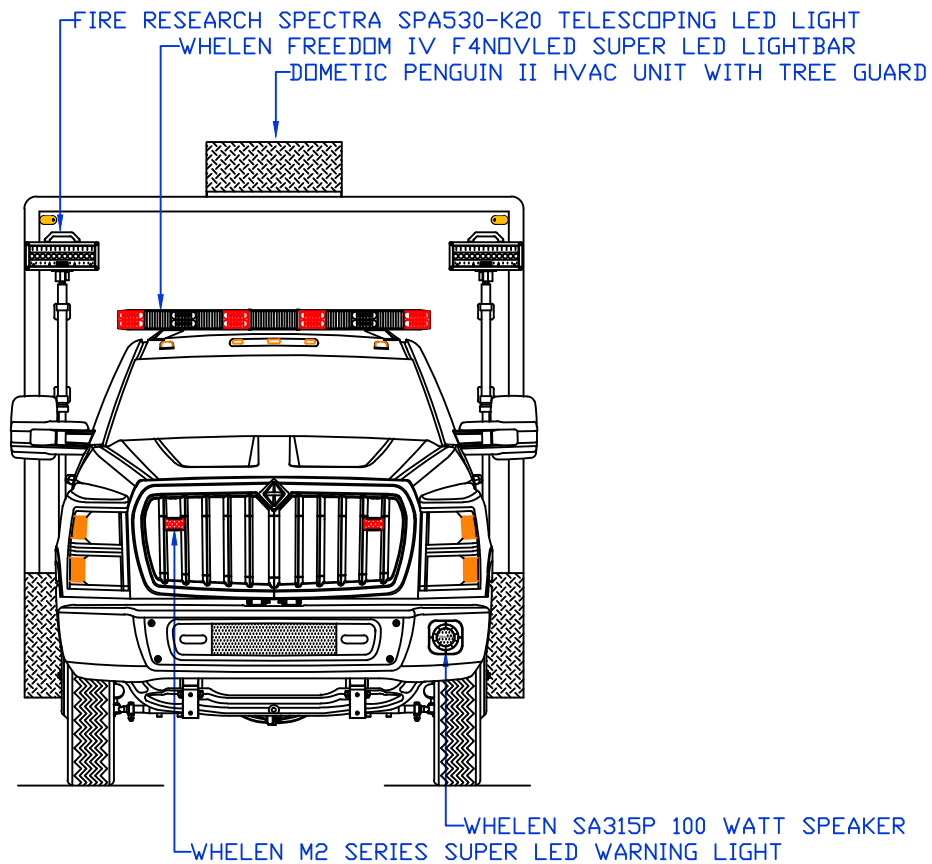


**WARD APPARATUS**  
 1250 SCHWEIZER ROAD    PHONE (607) 796-0149  
 HORSEHEADS, NY 14845    FAX (607) 739-7092

<b>CUSTOMER APPROVED BY:</b>	
VEHICLE TYPE: INVESTIGATION	CHASSIS: INTERNATIONAL CV515 REGULAR CAB 4X4
VIEW: REAR & REAR COMPARTMENT LAYOUT	BODY MAT'L: ALUMINUM
SCALE: NTS	BODY LENGTH: 180"
DRAWN BY: NRW	APPROVED BY:
DATE: 12/5/2022	BODY STYLE:
DWG NO.: DUTCHESSCO	REVISION:

DUTCHESS COUNTY FIRE INVESTIGATION

NOTE: ALL DIMENSIONS ARE APPROXIMATE



**WARD APPARATUS**

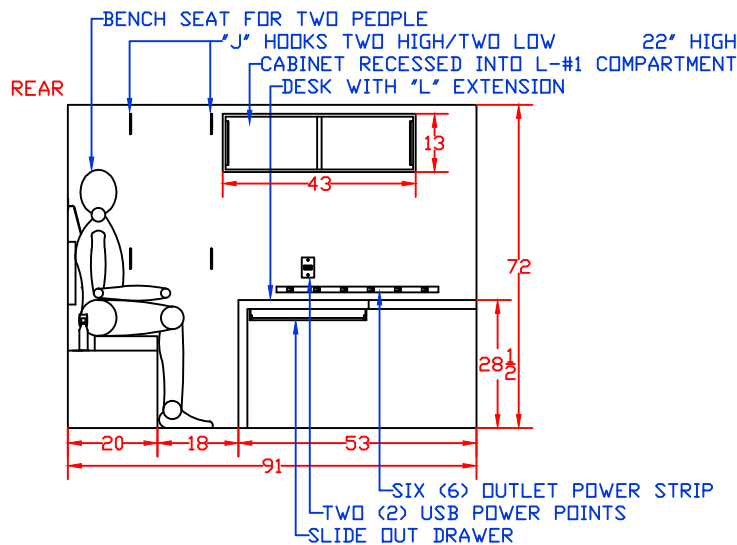
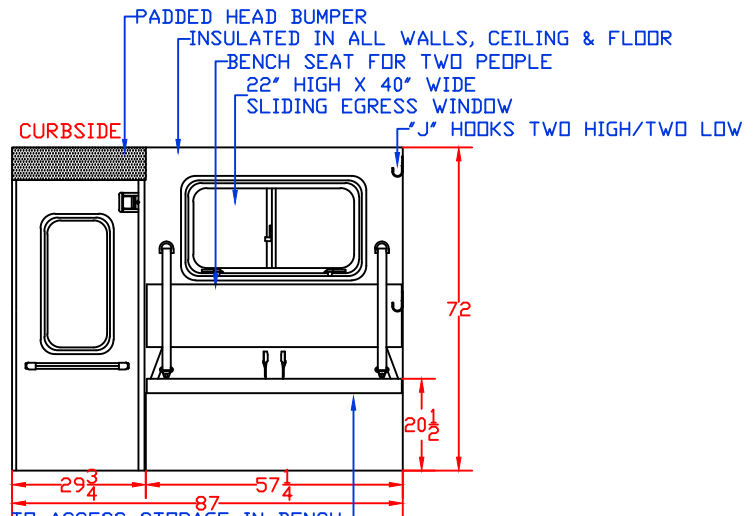
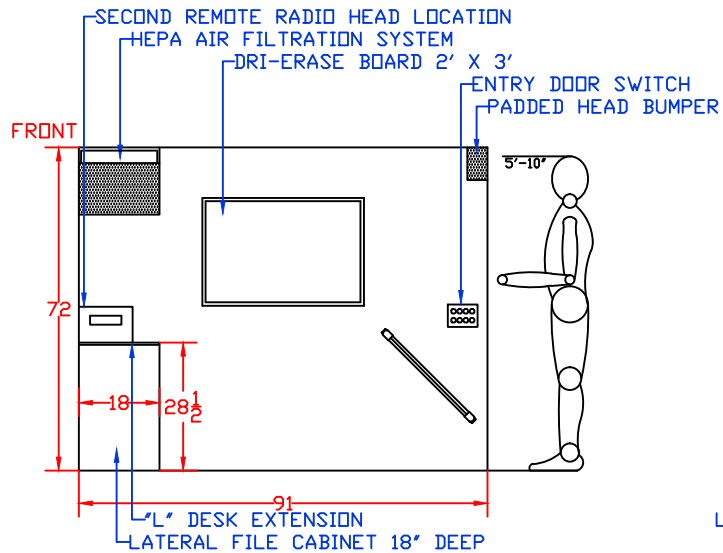
1250 SCHWEIZER ROAD PHONE (607) 796-0149  
 HORSEHEADS, NY 14845 FAX (607) 739-7092

**CUSTOMER APPROVED BY:**

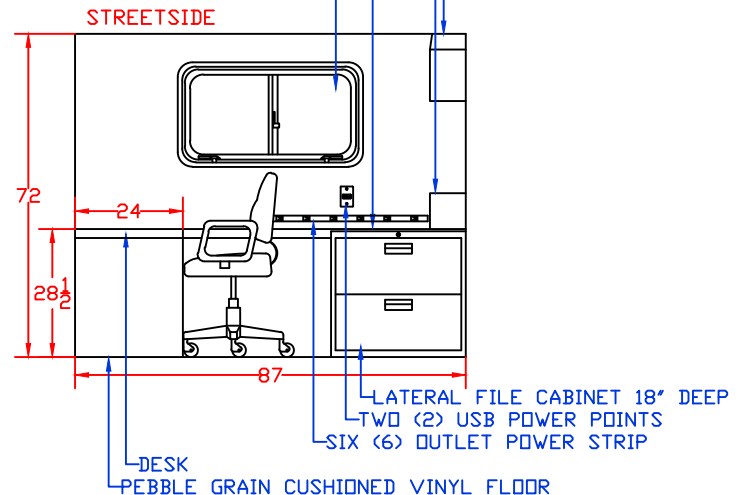
VEHICLE TYPE: INVESTIGATION	CHASSIS: INTERNATIONAL CV515 REGULAR CAB 4X4
VIEW: FRONT	BODY MAT'L: ALUMINUM
SCALE: NTS	BODY LENGTH: 180"
DRAWN BY: NRW	APPROVED BY:
DATE: 12/5/2022	BODY STYLE:
DWG NO.: DUTCHESSCO	REVISION:

DUTCHESS COUNTY FIRE INVESTIGATION

NOTE: ALL DIMENSIONS ARE APPROXIMATE



LIFT UP CUSHION TO ACCESS STORAGE IN BENCH  
HEPA AIR FILTRATION SYSTEM  
SECOND REMOTE RADIO HEAD LOCATION  
"L" DESK EXTENSION



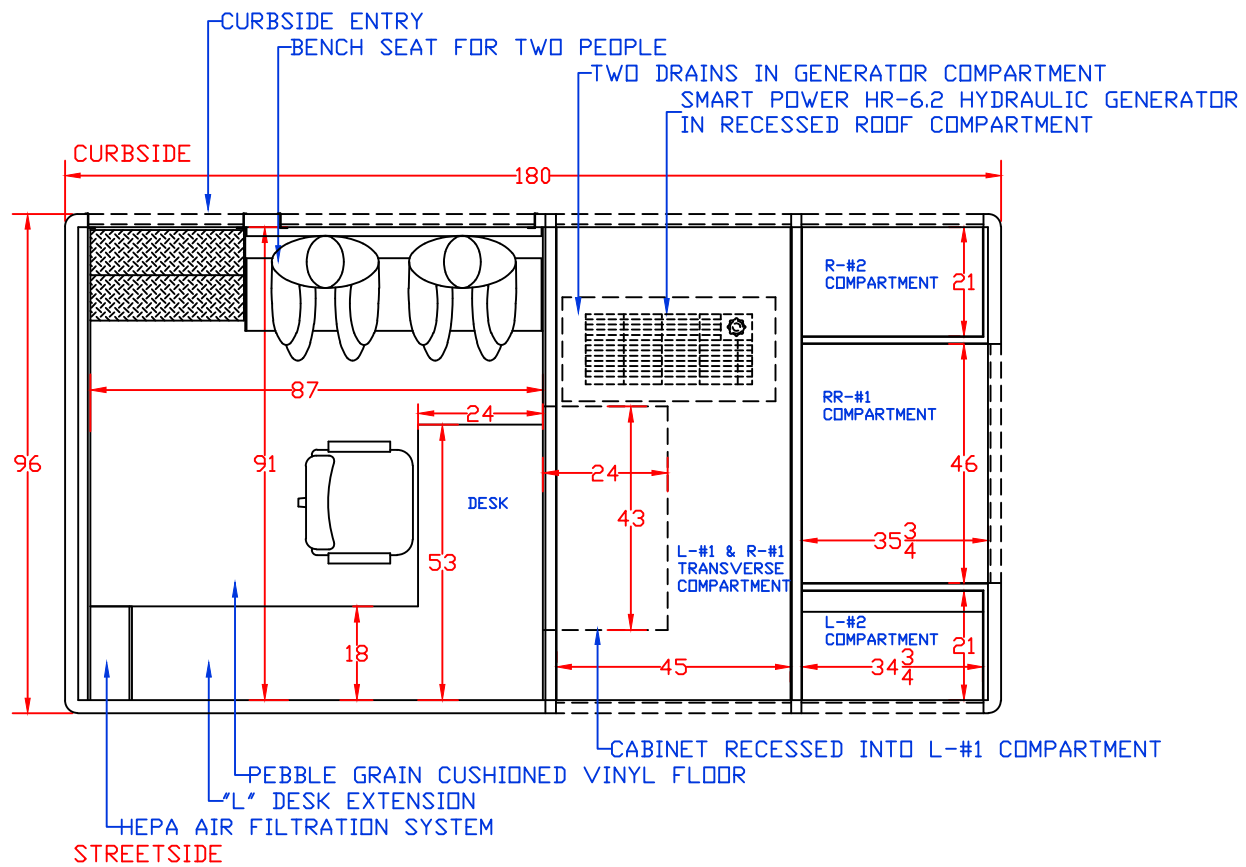
**WARD APPARATUS**

1250 SCHWEIZER ROAD PHONE (607) 796-0149  
HORSEHEADS, NY 14845 FAX (607) 739-7092

**CUSTOMER APPROVED BY:**

VEHICLE TYPE: INVESTIGATION  
VIEW: CREW AREA  
SCALE: NTS  
DRAWN BY: NRW  
DATE: 12/5/2022  
DWG NO.: DUTCHESSCO

CHASSIS: INTERNATIONAL CV515 REGULAR CAB 4X4  
BODY MAT'L: ALUMINUM  
BODY LENGTH: 180"  
APPROVED BY:  
BODY STYLE:  
REVISION:



**WARD APPARATUS**

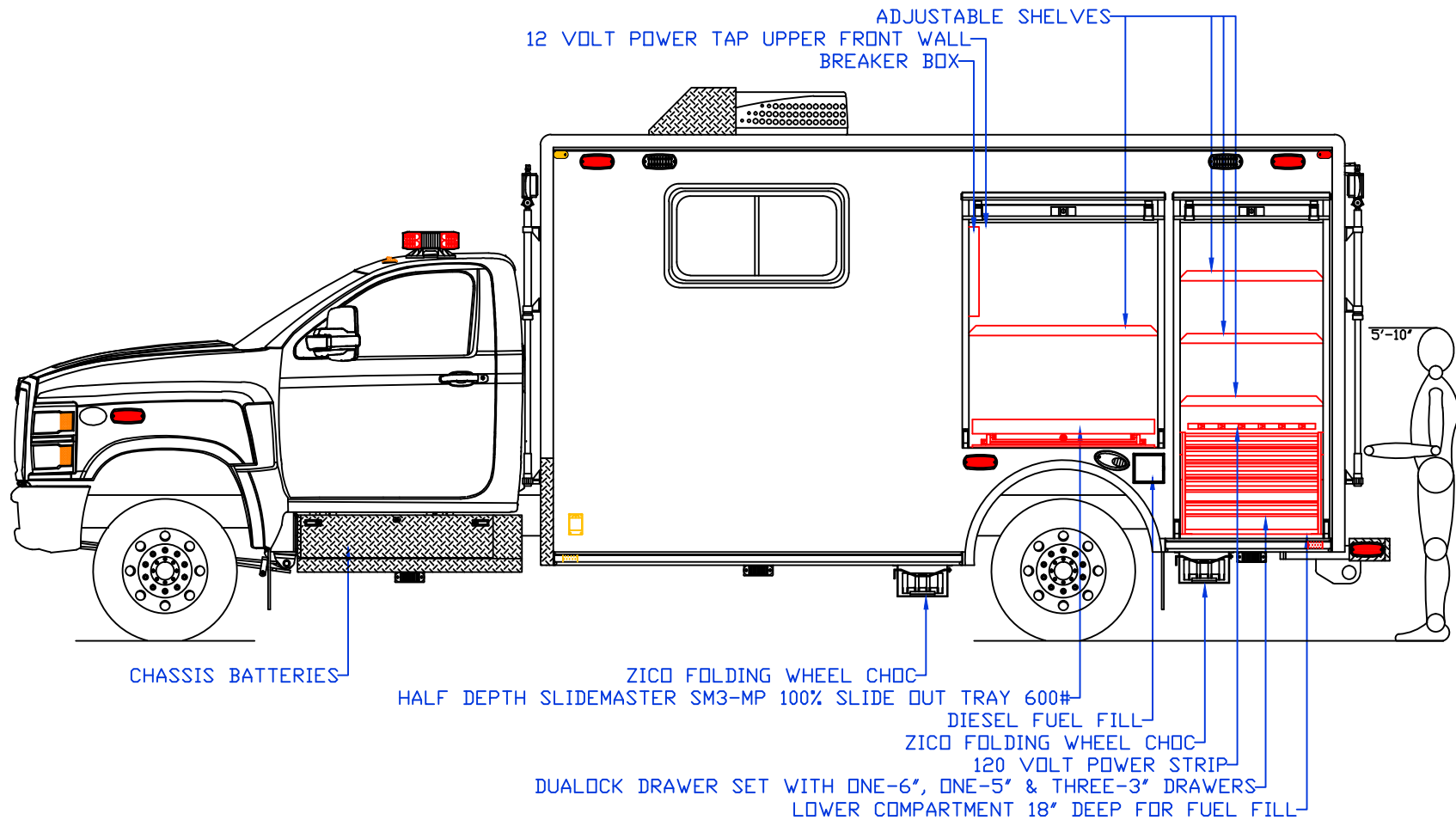
1250 SCHWEIZER ROAD PHONE (607) 796-0149  
 HORSEHEADS, NY 14845 FAX (607) 739-7092

**CUSTOMER APPROVED BY:**

VEHICLE TYPE: INVESTIGATION	CHASSIS: INTERNATIONAL CV515 REGULAR CAB 4X4
VIEW: TOP	BODY MAT'L: ALUMINUM
SCALE: NTS	BODY LENGTH: 180"
DRAWN BY: NRW	APPROVED BY:
DATE: 12/5/2022	BODY STYLE:
DWG NO.: DUTCHESSCO	REVISION:

DUTCHESS COUNTY FIRE INVESTIGATION

NOTE: ALL DIMENSIONS ARE APPROXIMATE



**WARD APPARATUS**

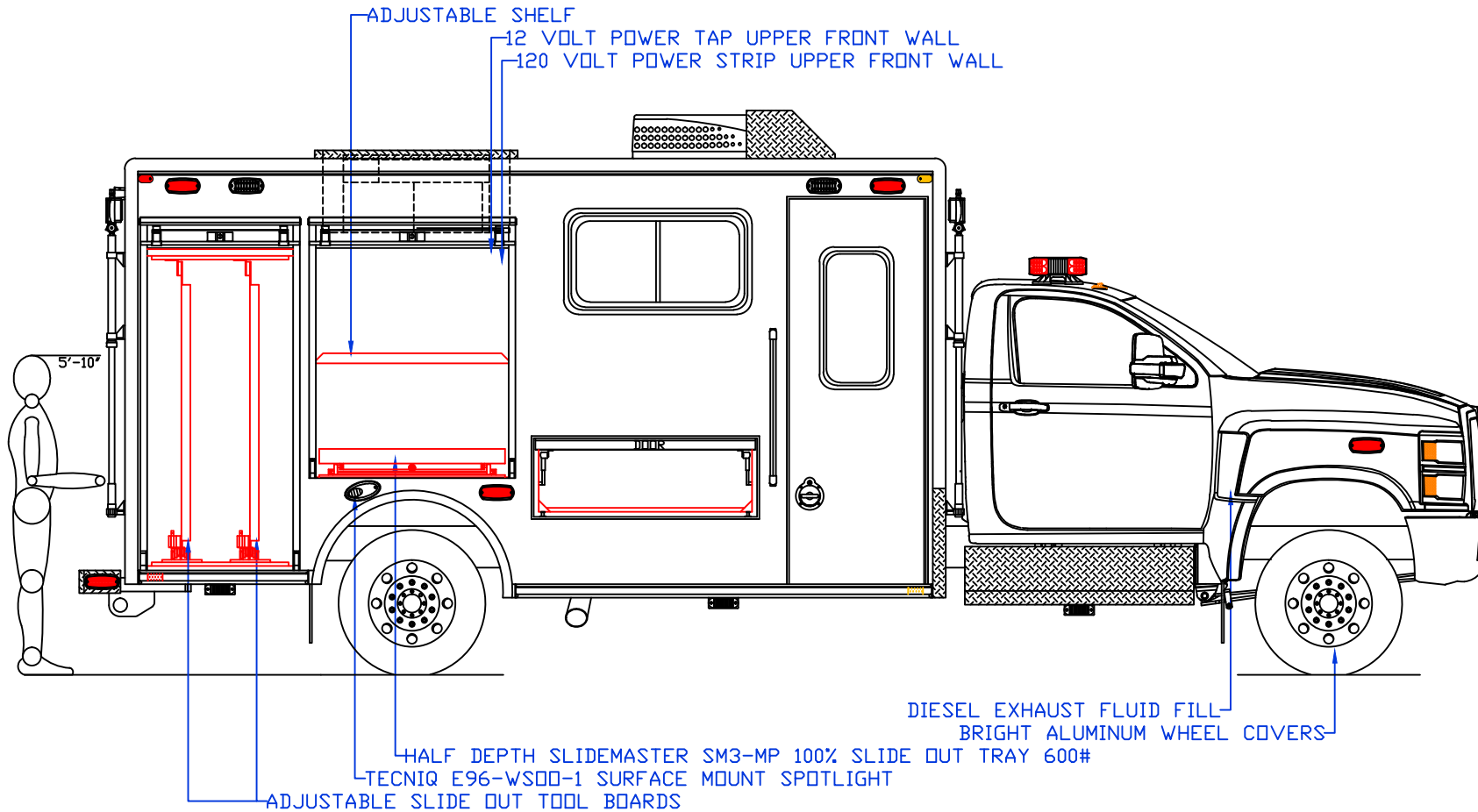
1250 SCHWEIZER ROAD PHONE (607) 796-0149  
HORSEHEADS, NY 14845 FAX (607) 739-7092

**CUSTOMER APPROVED BY:**

VEHICLE TYPE: INVESTIGATION	CHASSIS: INTERNATIONAL CV515 REGULAR CAB 4X4
VIEW: STREETSIDE COMPARTMENT LAYOUT	BODY MAT'L: ALUMINUM
SCALE: NTS	BODY LENGTH: 180"
DRAWN BY: NRW	APPROVED BY:
DATE: 12/5/2022	BODY STYLE:
DWG NO.: DUTCHESSCO	REVISION:

DUTCHESS COUNTY FIRE INVESTIGATION

NOTE: ALL DIMENSIONS ARE APPROXIMATE



**WARD APPARATUS**

1250 SCHWEIZER ROAD PHONE (607) 796-0149  
 HORSEHEADS, NY 14845 FAX (607) 739-7092

**CUSTOMER APPROVED BY:**

VEHICLE TYPE: INVESTIGATION	CHASSIS: INTERNATIONAL CV515 REGULAR CAB 4X4
VIEW: CURBSIDE COMPARTMENT LAYOUT	BODY MAT'L: ALUMINUM
SCALE: NTS	BODY LENGTH: 180"
DRAWN BY: NRW	APPROVED BY:
DATE: 12/5/2022	BODY STYLE:
DWG NO.: DUTCHESSCO	REVISION:

DUTCHESS COUNTY FIRE INVESTIGATION

NOTE: ALL DIMENSIONS ARE APPROXIMATE