

**WARD APPARATUS**

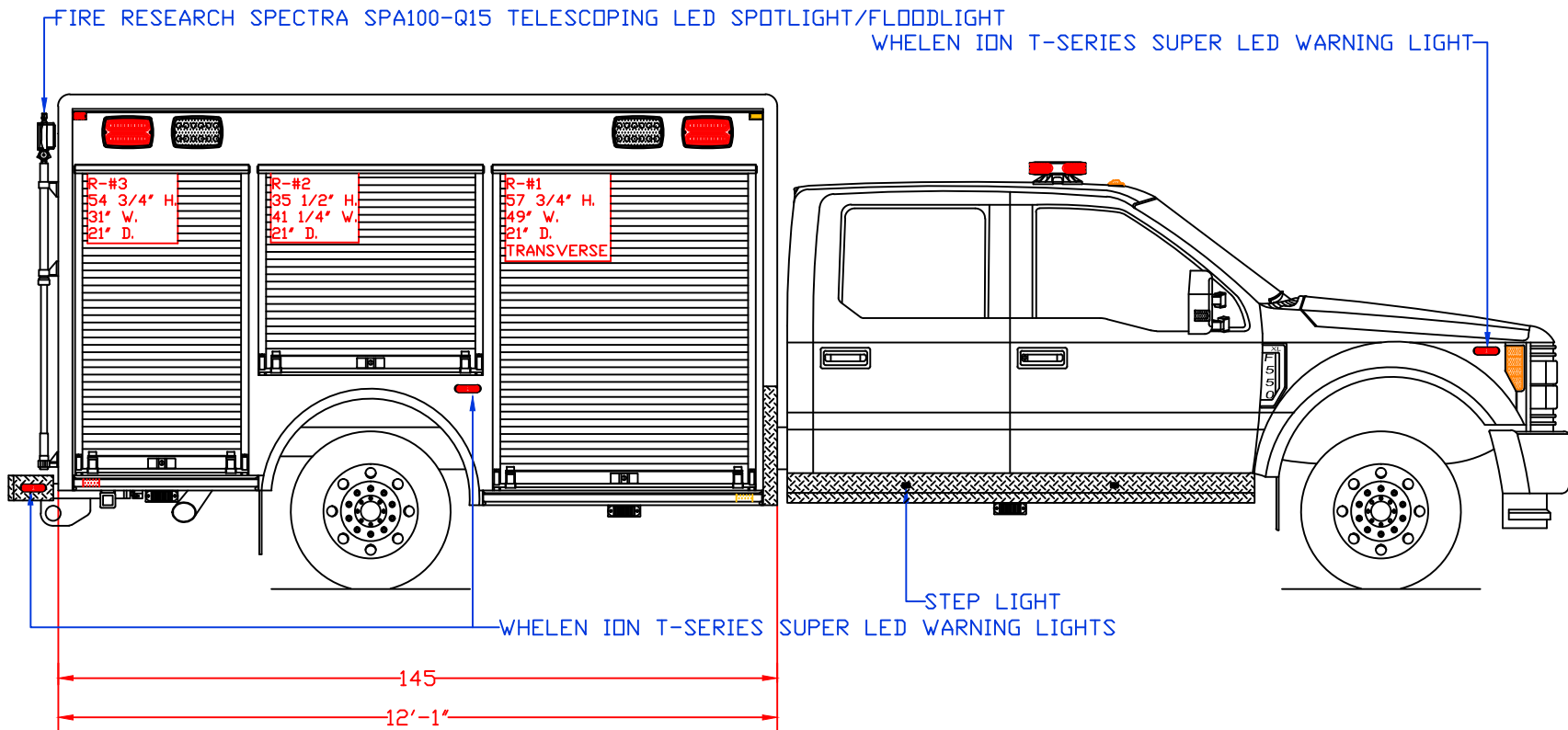
1250 SCHWEIZER ROAD PHONE (607) 796-0149  
 HORSEHEADS, NY 14845 FAX (607) 739-7092

**CUSTOMER APPROVED BY:**

VEHICLE TYPE: RESCUE	CHASSIS: FORD F-550 CREW CAB 4X4
VIEW: STREETSIDE	BODY MAT'L: ALUMINUM
SCALE: NTS	BODY LENGTH: 145"
DRAWN BY: NRW	APPROVED BY:
DATE: 3/1/2023	BODY STYLE:
DWG NO.: HENDRICKSONFIRE	REVISION:

HENDRICKSON FIRE / RESCUE DEMO

NOTE: ALL DIMENSIONS ARE APPROXIMATE



**WARD APPARATUS**

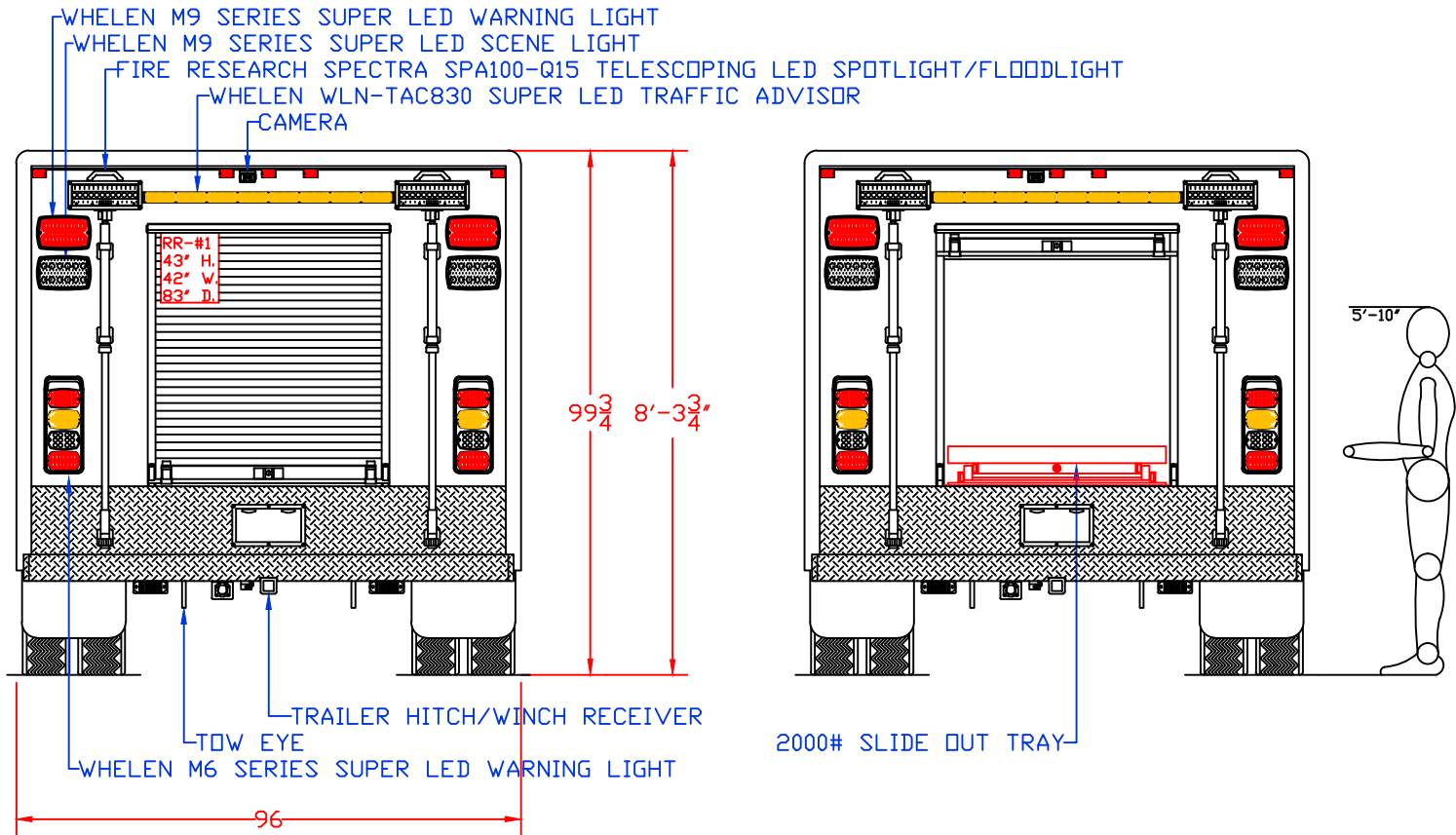
1250 SCHWEIZER ROAD PHONE (607) 796-0149  
HORSEHEADS, NY 14845 FAX (607) 739-7092

**CUSTOMER APPROVED BY:**

VEHICLE TYPE: RESCUE	CHASSIS: FORD F-550 CREW CAB 4X4
VIEW: CURBSIDE	BODY MAT'L: ALUMINUM
SCALE: NTS	BODY LENGTH: 145"
DRAWN BY: NRW	APPROVED BY:
DATE: 3/1/2023	BODY STYLE:
DWG NO.: HENDRICKSONFIRE	REVISION:

HENDRICKSON FIRE / RESCUE DEMO

NOTE: ALL DIMENSIONS ARE APPROXIMATE



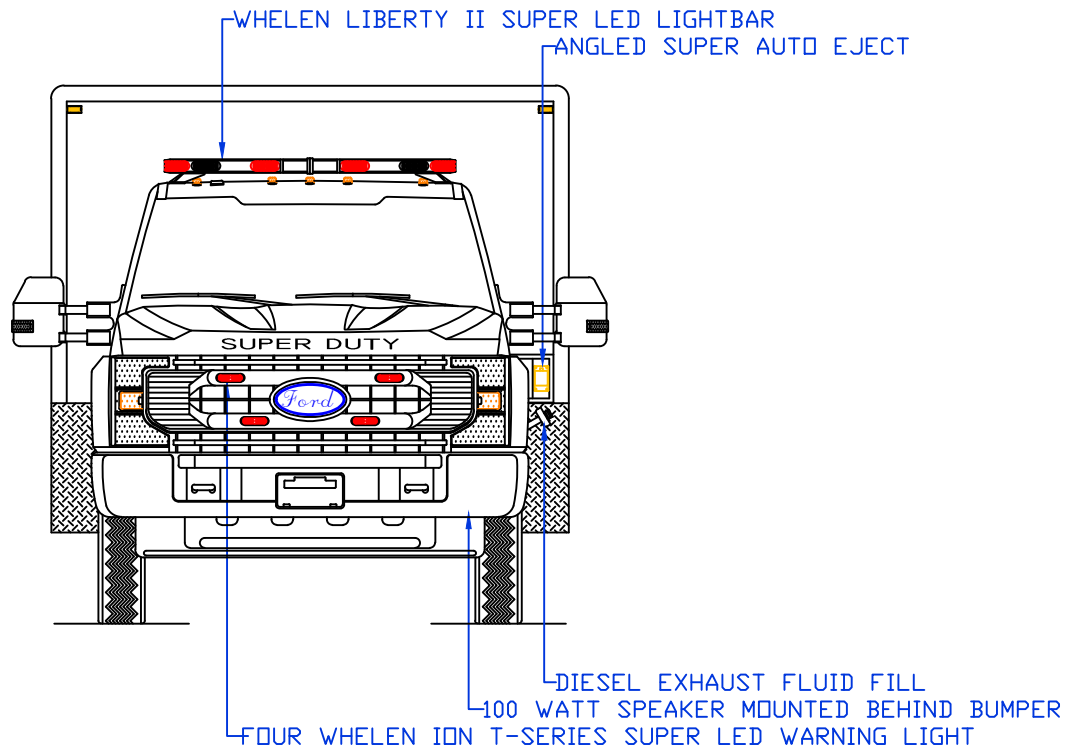
**WARD APPARATUS**  
 1250 SCHWEIZER ROAD PHONE (607) 796-0149  
 HORSEHEADS, NY 14845 FAX (607) 739-7092

**CUSTOMER APPROVED BY:**

VEHICLE TYPE: RESCUE	CHASSIS: FORD F-550 CREW CAB 4X4
VIEW: REAR & REAR COMPARTMENT LAYOUT	BODY MAT'L: ALUMINUM
SCALE: NTS	BODY LENGTH: 145"
DRAWN BY: NRW	APPROVED BY:
DATE: 3/1/2023	BODY STYLE:
DWG NO.: HENDRICKSONFIRE	REVISION:

HENDRICKSON FIRE / RESCUE DEMO

NOTE: ALL DIMENSIONS ARE APPROXIMATE



**WARD APPARATUS**

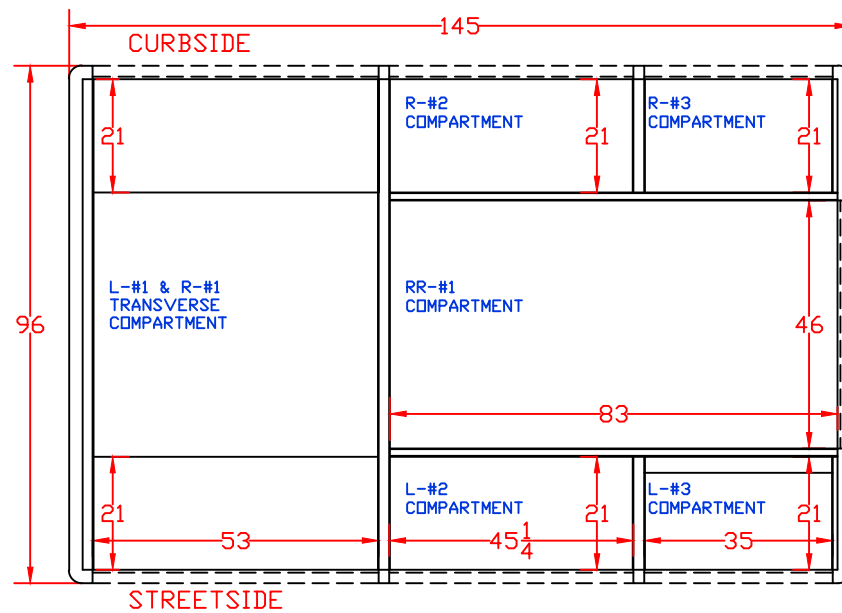
1250 SCHWEIZER ROAD PHONE (607) 796-0149  
 HORSEHEADS, NY 14845 FAX (607) 739-7092

**CUSTOMER APPROVED BY:**

VEHICLE TYPE: RESCUE	CHASSIS: FORD F-550 CREW CAB 4X4
VIEW: FRONT	BODY MAT'L: ALUMINUM
SCALE: NTS	BODY LENGTH: 145"
DRAWN BY: NRW	APPROVED BY:
DATE: 3/1/2023	BODY STYLE:
DWG NO.: HENDRICKSONFIRE	REVISION:

HENDRICKSON FIRE / RESCUE DEMO

NOTE: ALL DIMENSIONS ARE APPROXIMATE



**WARD APPARATUS**

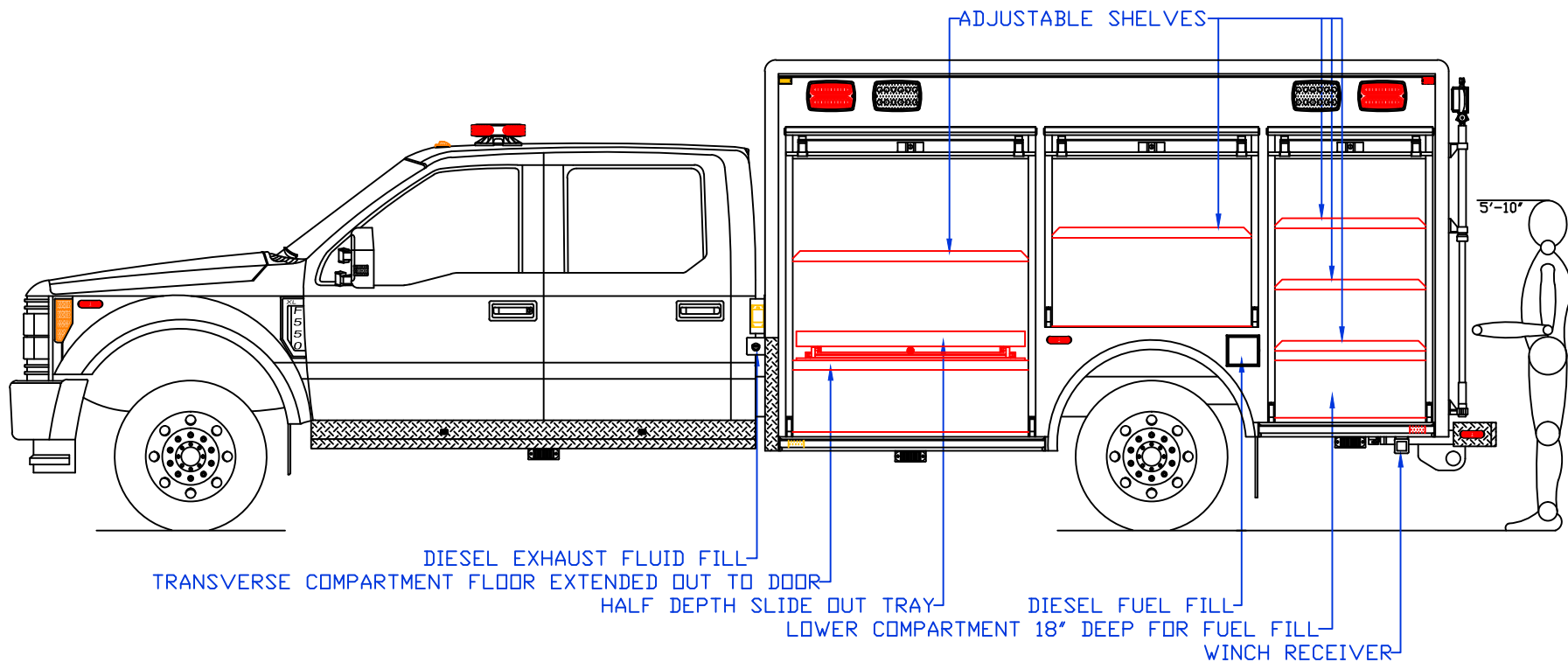
1250 SCHWEIZER ROAD PHONE (607) 796-0149  
 HORSEHEADS, NY 14845 FAX (607) 739-7092

CUSTOMER APPROVED BY: \_\_\_\_\_

VEHICLE TYPE: RESCUE	CHASSIS: FORD F-550 CREW CAB 4X4
VIEW: TOP	BODY MAT'L: ALUMINUM
SCALE: NTS	BODY LENGTH: 145"
DRAWN BY: NRW	APPROVED BY:
DATE: 3/1/2023	BODY STYLE:
DWG NO.: HENDRICKSONFIRE	REVISION:

HENDRICKSON FIRE / RESCUE DEMO

NOTE: ALL DIMENSIONS ARE APPROXIMATE



**WARD APPARATUS**

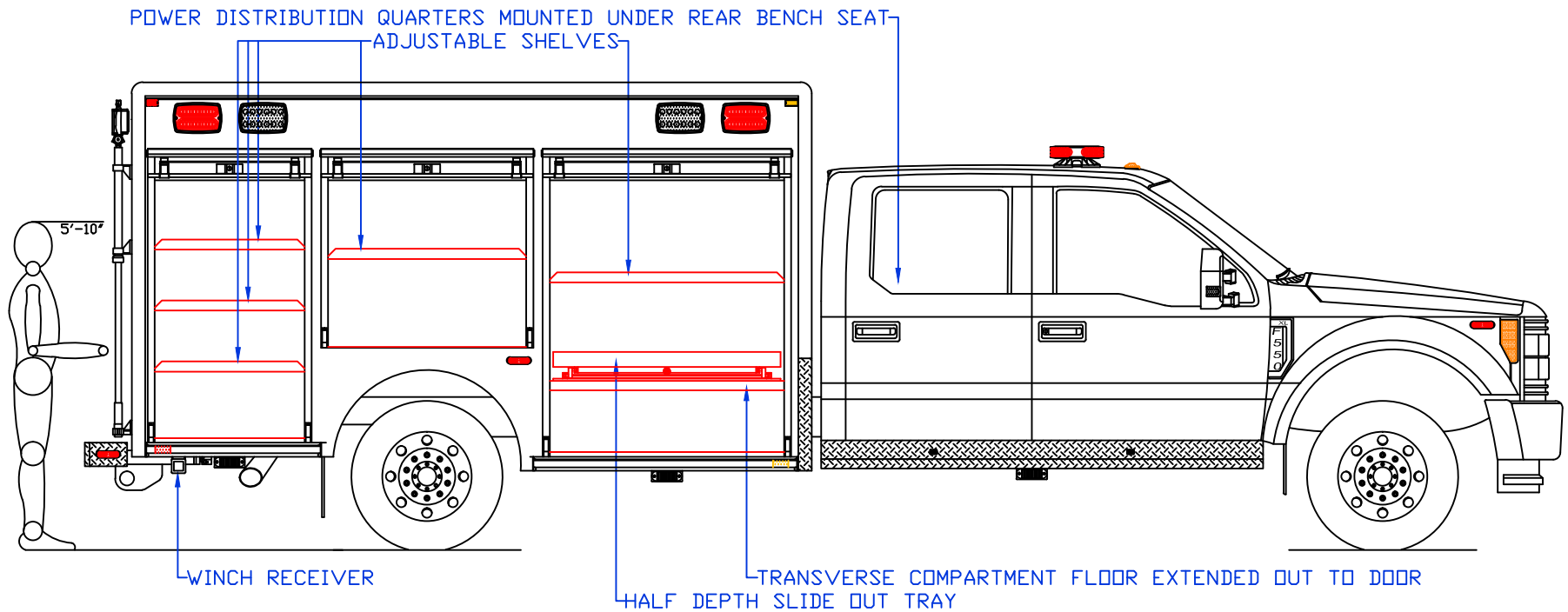
1250 SCHWEIZER ROAD PHONE (607) 796-0149  
 HORSEHEADS, NY 14845 FAX (607) 739-7092

**CUSTOMER APPROVED BY:**

VEHICLE TYPE: RESCUE	CHASSIS: FORD F-550 CREW CAB 4X4
VIEW: STREETSIDE COMPARTMENT LAYOUT	BODY MAT'L: ALUMINUM
SCALE: NTS	BODY LENGTH: 145"
DRAWN BY: NRW	APPROVED BY:
DATE: 3/1/2023	BODY STYLE:
DWG NO.: HENDRICKSONFIRE	REVISION:

HENDRICKSON FIRE / RESCUE DEMO

NOTE: ALL DIMENSIONS ARE APPROXIMATE



**WARD APPARATUS**

1250 SCHWEIZER ROAD PHONE (607) 796-0149  
 HORSEHEADS, NY 14845 FAX (607) 739-7092

**CUSTOMER APPROVED BY:**

VEHICLE TYPE: RESCUE	CHASSIS: FORD F-550 CREW CAB 4X4
VIEW: CURBSIDE COMPARTMENT LAYOUT	BODY MAT'L: ALUMINUM
SCALE: NTS	BODY LENGTH: 145"
DRAWN BY: NRW	APPROVED BY:
DATE: 3/1/2023	BODY STYLE:
DWG NO.: HENDRICKSONFIRE	REVISION:

HENDRICKSON FIRE / RESCUE DEMO

*NOTE: ALL DIMENSIONS ARE APPROXIMATE*