

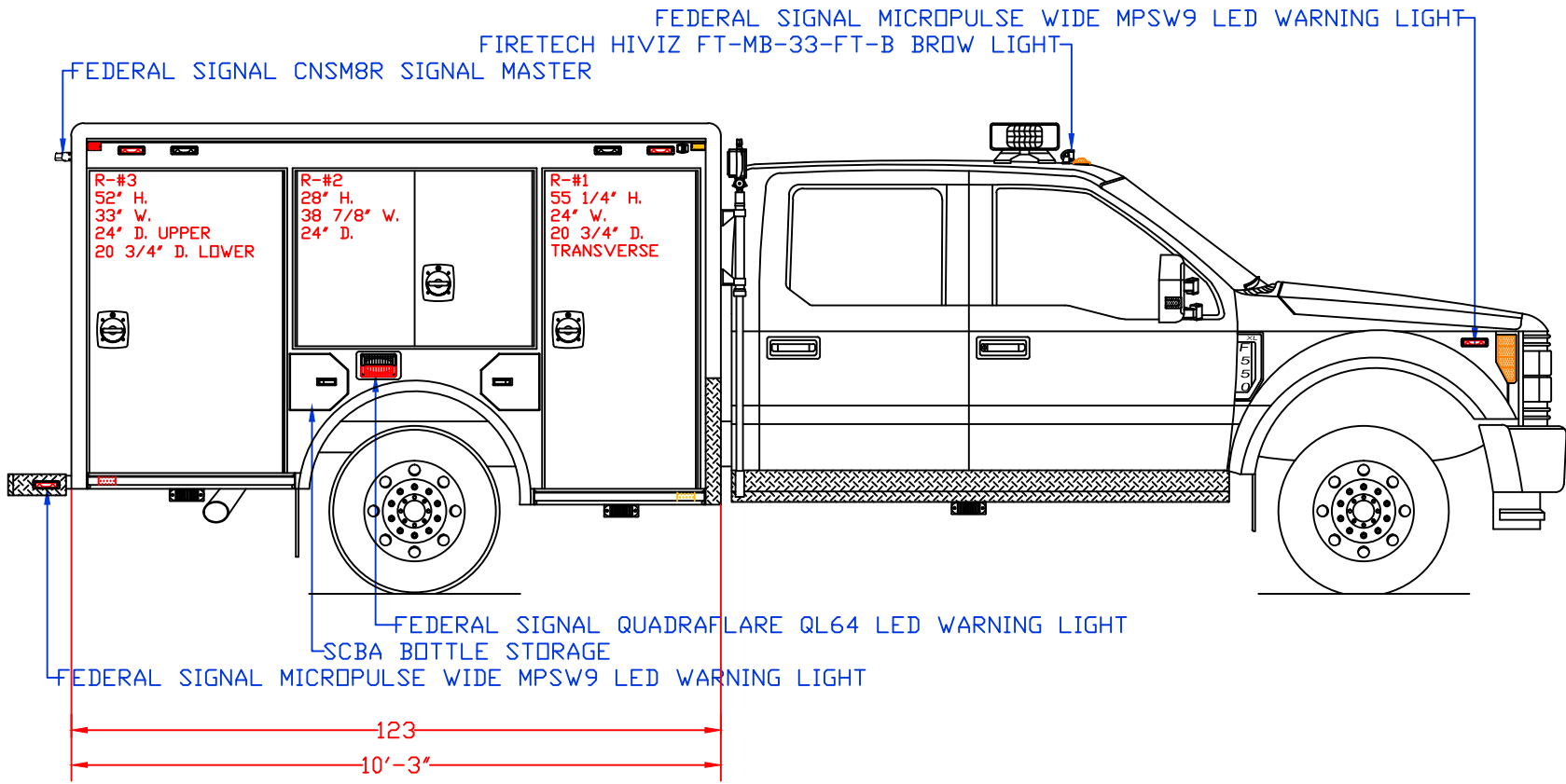
WARD APPARATUS
 1250 SCHWEIZER ROAD PHONE (607) 796-0149
 HORSEHEADS, NY 14845 FAX (607) 739-7092

CUSTOMER APPROVED BY:

VEHICLE TYPE: RESCUE	CHASSIS: FORD F-550 CREW CAB 4X4
VIEW: STREETSIDE	BODY MAT'L: ALUMINUM
SCALE: NTS	BODY LENGTH: 123"
DRAWN BY: NRW	APPROVED BY:
DATE: 3/22/2023	BODY STYLE:
DWG NO.: RIVERSIDEC010FTRESCUE	REVISION:

RIVERSIDE COUNTY, CALIFORNIA 10' RESCUE SQUAD

NOTE: ALL DIMENSIONS ARE APPROXIMATE



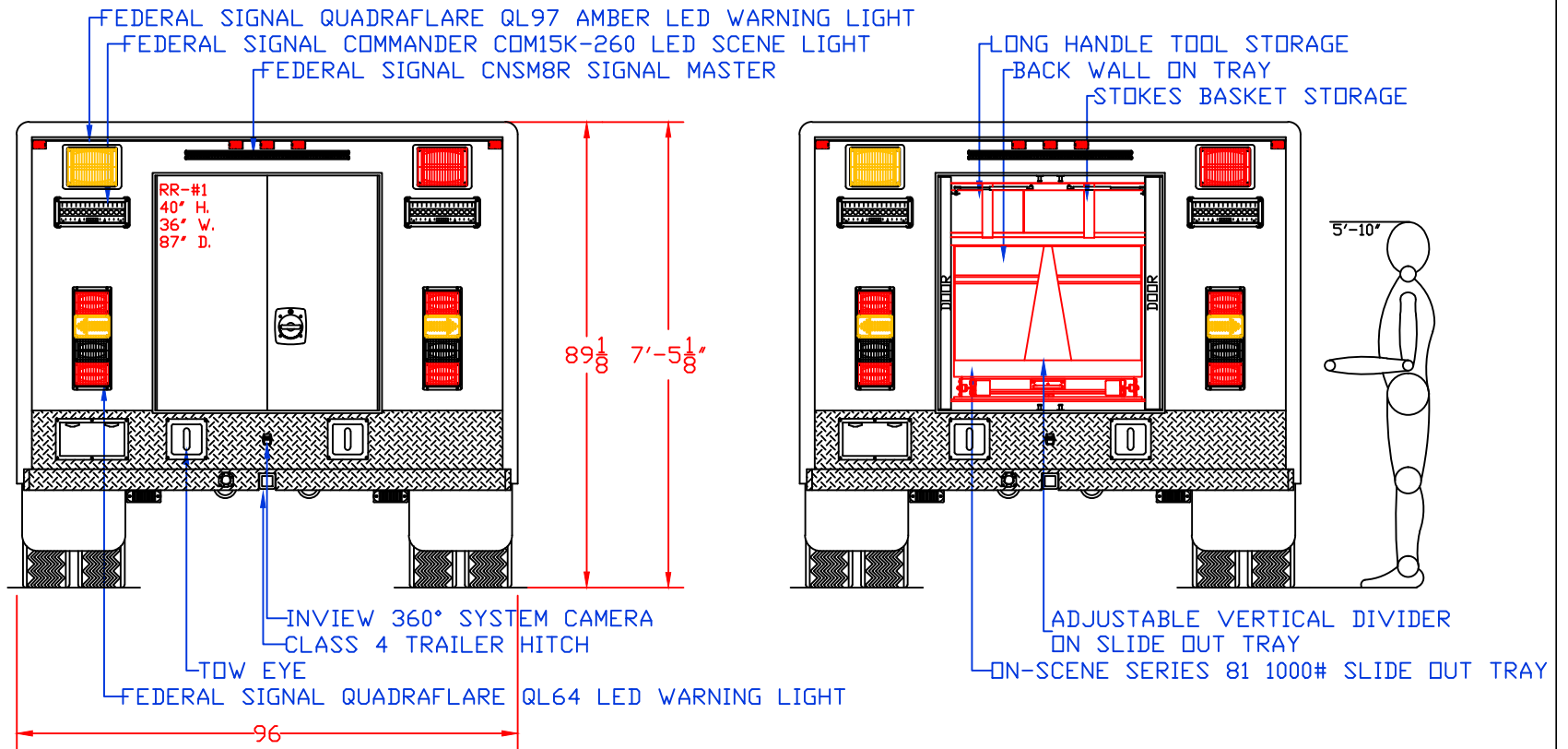
WARD APPARATUS
 1250 SCHWEIZER ROAD PHONE (607) 796-0149
 HORSEHEADS, NY 14845 FAX (607) 739-7092

CUSTOMER APPROVED BY:

VEHICLE TYPE: RESCUE	CHASSIS: FORD F-550 CREW CAB 4X4
VIEW: CURBSIDE	BODY MAT'L: ALUMINUM
SCALE: NTS	BODY LENGTH: 123"
DRAWN BY: NRW	APPROVED BY:
DATE: 3/22/2023	BODY STYLE:
DWG NO.: RIVERSIDEC010FTRESCUE	REVISION:

RIVERSIDE COUNTY, CALIFORNIA 10' RESCUE SQUAD

NOTE: ALL DIMENSIONS ARE APPROXIMATE



WARD APPARATUS

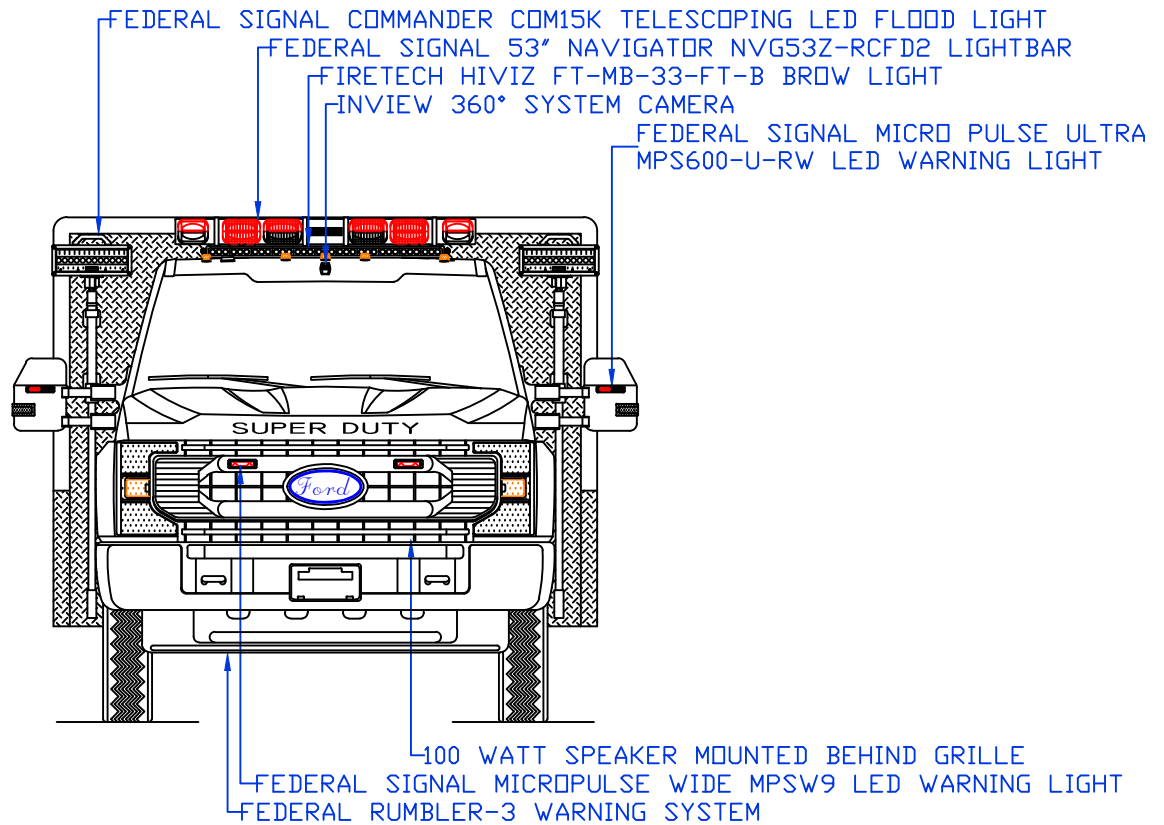
1250 SCHWEIZER ROAD PHONE (607) 796-0149
 HORSEHEADS, NY 14845 FAX (607) 739-7092

CUSTOMER APPROVED BY:

VEHICLE TYPE: RESCUE	CHASSIS: FORD F-550 CREW CAB 4X4
VIEW: REAR & REAR COMPARTMENT LAYOUT	BODY MAT'L: ALUMINUM
SCALE: NTS	BODY LENGTH: 123"
DRAWN BY: NRW	APPROVED BY:
DATE: 3/22/2023	BODY STYLE:
DWG NO.: RIVERSIDECO10FTRESCUE	REVISION:

RIVERSIDE COUNTY, CALIFORNIA 10' RESCUE SQUAD

NOTE: ALL DIMENSIONS ARE APPROXIMATE



WARD APPARATUS

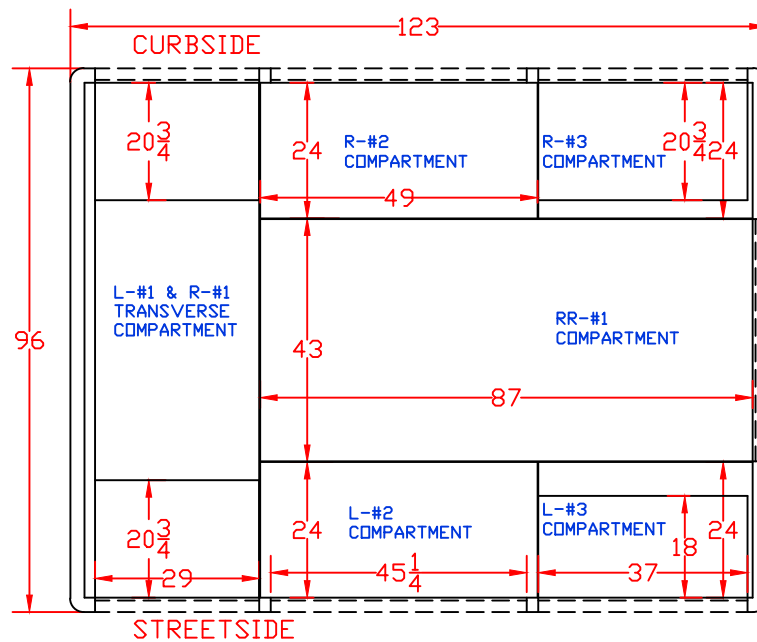
1250 SCHWEIZER ROAD PHONE (607) 796-0149
 HORSEHEADS, NY 14845 FAX (607) 739-7092

CUSTOMER APPROVED BY:

VEHICLE TYPE: RESCUE	CHASSIS: FORD F-550 CREW CAB 4X4
VIEW: FRONT	BODY MAT'L: ALUMINUM
SCALE: NTS	BODY LENGTH: 123"
DRAWN BY: NRW	APPROVED BY:
DATE: 3/22/2023	BODY STYLE:
DWG NO.: RIVERSIDEC010FTRESCUE	REVISION:

RIVERSIDE COUNTY, CALIFORNIA 10' RESCUE SQUAD

NOTE: ALL DIMENSIONS ARE APPROXIMATE



WARD APPARATUS

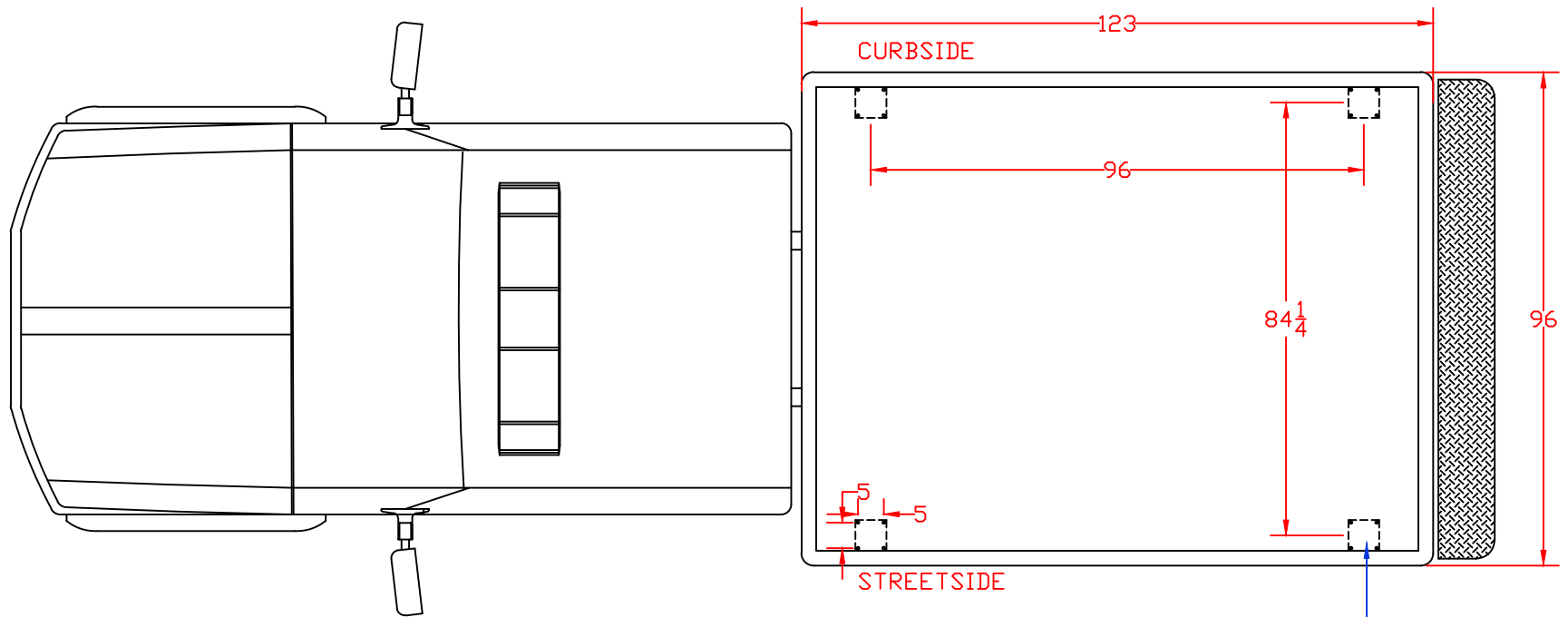
1250 SCHWEIZER ROAD PHONE (607) 796-0149
 HORSEHEADS, NY 14845 FAX (607) 739-7092

RIVERSIDE COUNTY, CALIFORNIA 10' RESCUE SQUAD

CUSTOMER APPROVED BY:

VEHICLE TYPE: RESCUE	CHASSIS: FORD F-550 CREW CAB 4X4
VIEW: TOP	BODY MAT'L: ALUMINUM
SCALE: NTS	BODY LENGTH: 123"
DRAWN BY: NRW	APPROVED BY:
DATE: 3/22/2023	BODY STYLE:
DWG NO.: RIVERSIDECO10FTRESCUE	REVISION:

NOTE: ALL DIMENSIONS ARE APPROXIMATE



FOUR 1/4" BACKER PLATES WITH FOUR 3/8" BOLTS TAPPED INTO PLATES 5" ON CENTER



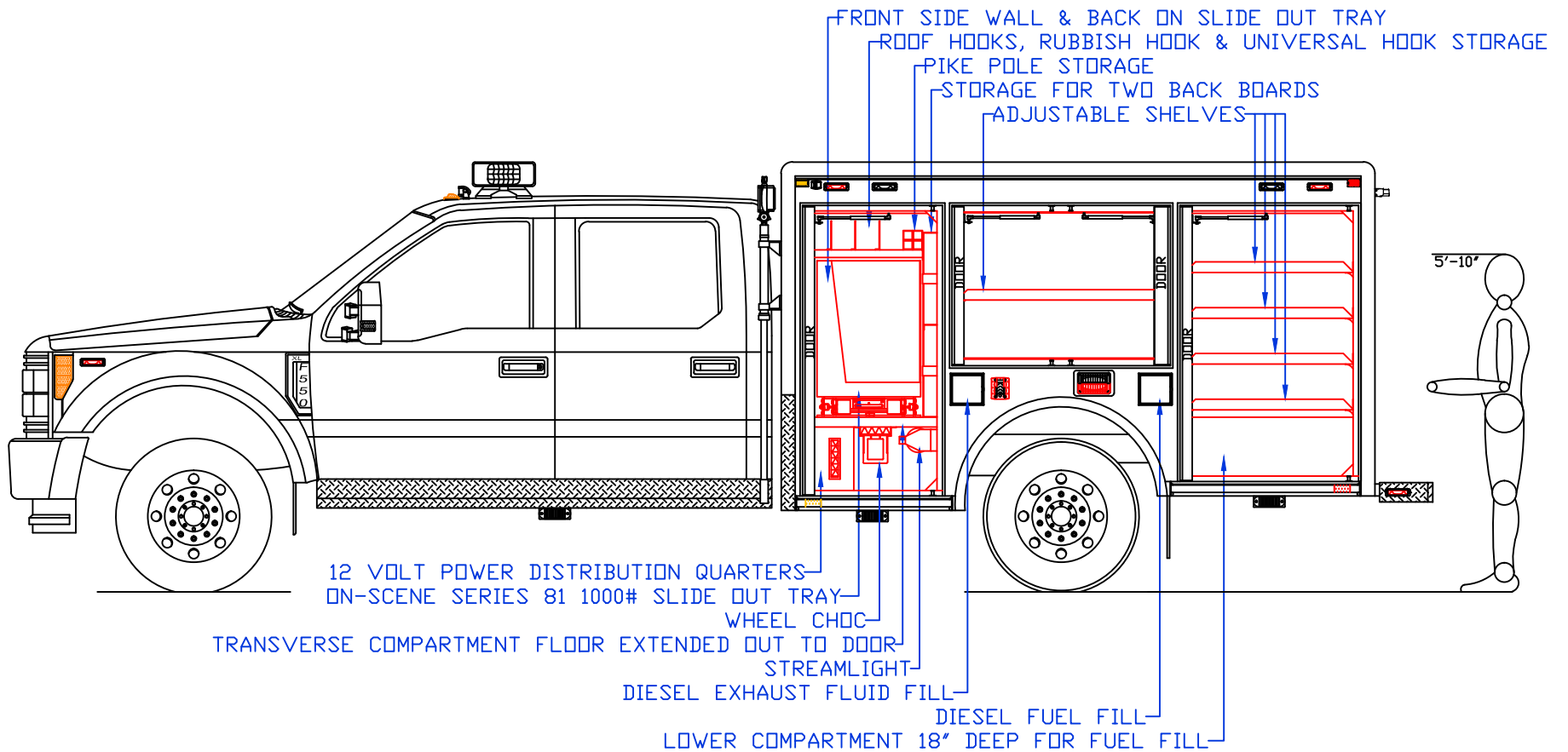
WARD APPARATUS
 1250 SCHWEIZER ROAD PHONE (607) 796-0149
 HORSEHEADS, NY 14845 FAX (607) 739-7092

RIVERSIDE COUNTY, CALIFORNIA 10' RESCUE SQUAD

CUSTOMER APPROVED BY:

VEHICLE TYPE: RESCUE	CHASSIS: FORD F-550 CREW CAB 4X4
VIEW: ROOF	BODY MAT'L: ALUMINUM
SCALE: NTS	BODY LENGTH: 123"
DRAWN BY: NRW	APPROVED BY:
DATE: 3/22/2023	BODY STYLE:
DWG NO.: RIVERSIDECO10FTRESCUE	REVISION:

NOTE: ALL DIMENSIONS ARE APPROXIMATE



WARD APPARATUS

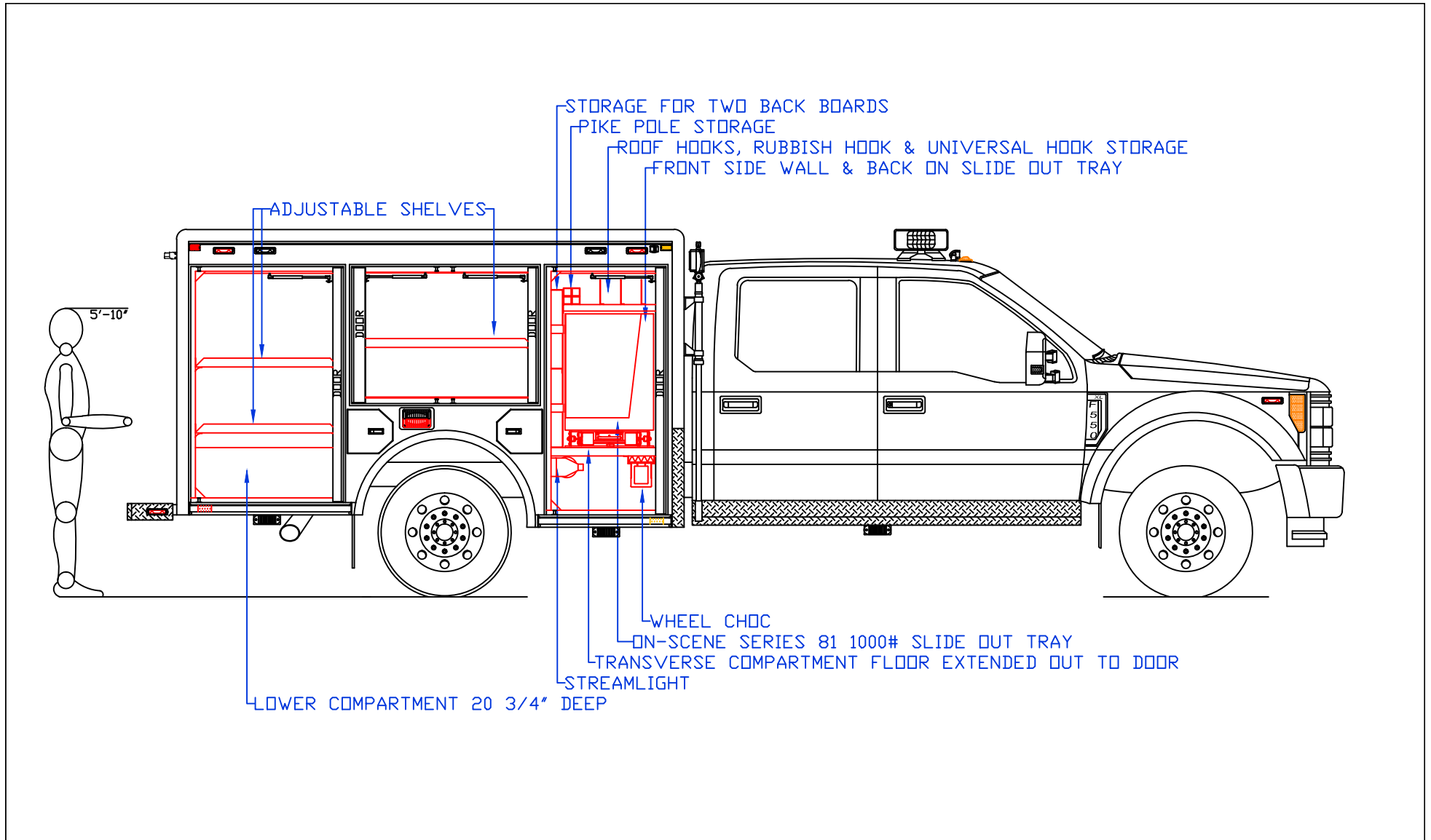
1250 SCHWEIZER ROAD PHONE (607) 796-0149
 HORSEHEADS, NY 14845 FAX (607) 739-7092

RIVERSIDE COUNTY, CALIFORNIA 10' RESCUE SQUAD

CUSTOMER APPROVED BY:

VEHICLE TYPE: RESCUE	CHASSIS: FORD F-550 CREW CAB 4X4
VIEW: STREETSIDE COMPARTMENT LAYOUT	BODY MAT'L: ALUMINUM
SCALE: NTS	BODY LENGTH: 123"
DRAWN BY: NRW	APPROVED BY:
DATE: 3/22/2023	BODY STYLE:
DWG NO.: RIVERSIDEC010FTRESCUE	REVISION:

NOTE: ALL DIMENSIONS ARE APPROXIMATE



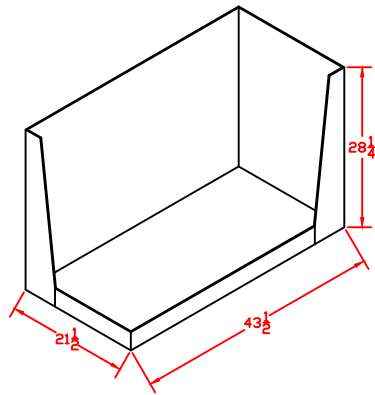
WARD APPARATUS
 1250 SCHWEIZER ROAD PHONE (607) 796-0149
 HORSEHEADS, NY 14845 FAX (607) 739-7092

RIVERSIDE COUNTY, CALIFORNIA 10' RESCUE SQUAD

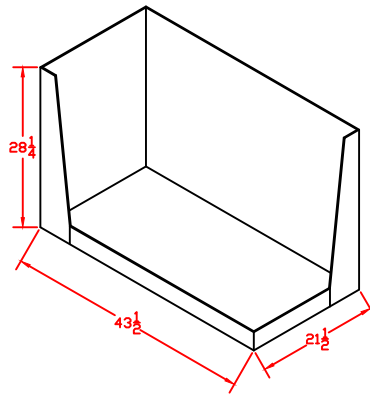
CUSTOMER APPROVED BY:	
VEHICLE TYPE: RESCUE	CHASSIS: FORD F-550 CREW CAB 4X4
VIEW: CURBSIDE COMPARTMENT LAYOUT	BODY MAT'L: ALUMINUM
SCALE: NTS	BODY LENGTH: 123"
DRAWN BY: NRW	APPROVED BY:
DATE: 3/22/2023	BODY STYLE:
DWG NO.: RIVERSIDEC010FTRESCUE	REVISION:

NOTE: ALL DIMENSIONS ARE APPROXIMATE

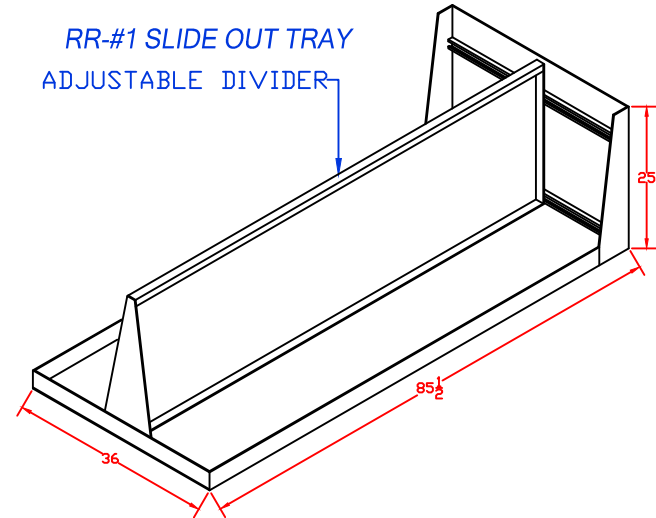
L-#1 SLIDE OUT TRAY



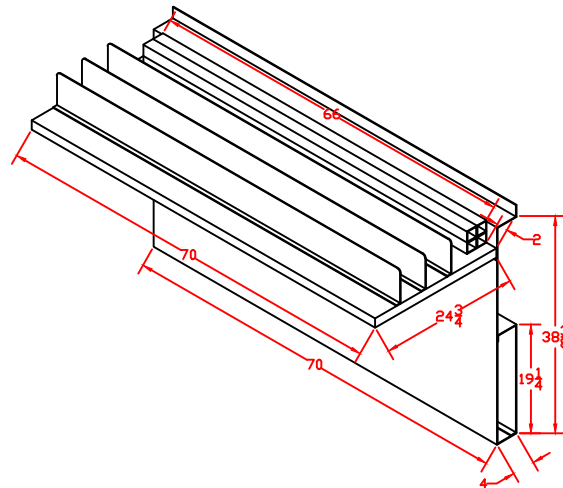
R-#1 SLIDE OUT TRAY



RR-#1 SLIDE OUT TRAY
ADJUSTABLE DIVIDER



L & R-#1 COMP. ROOF HOOKS, RUBBISH HOOK, UNIVERSAL HOOK PRY BARS, PIKE POLE & BACK BOARDS



NOTE: ALL DIMENSIONS ARE APPROXIMATE AND SUBJECT TO ADJUSTMENT



WARD APPARATUS

1250 SCHWEIZER ROAD PHONE (607) 796-0149
HORSEHEADS, NY 14845 FAX (607) 739-7092

RIVERSIDE COUNTY, CALIFORNIA 10' RESCUE SQUAD

CUSTOMER APPROVED BY:

VEHICLE TYPE: RESCUE	CHASSIS: FORD F-550 CREW CAB 4X4
VIEW: SLIDE OUT TRAY & LR-#1 STORAGE	BODY MAT'L: ALUMINUM
SCALE: NTS	BODY LENGTH: 123"
DRAWN BY: NRW	APPROVED BY:
DATE: 3/22/2023	BODY STYLE:
DWG NO.: RIVERSIDEC010FTRESCUE	REVISION:

NOTE: ALL DIMENSIONS ARE APPROXIMATE