

WARD APPARATUS

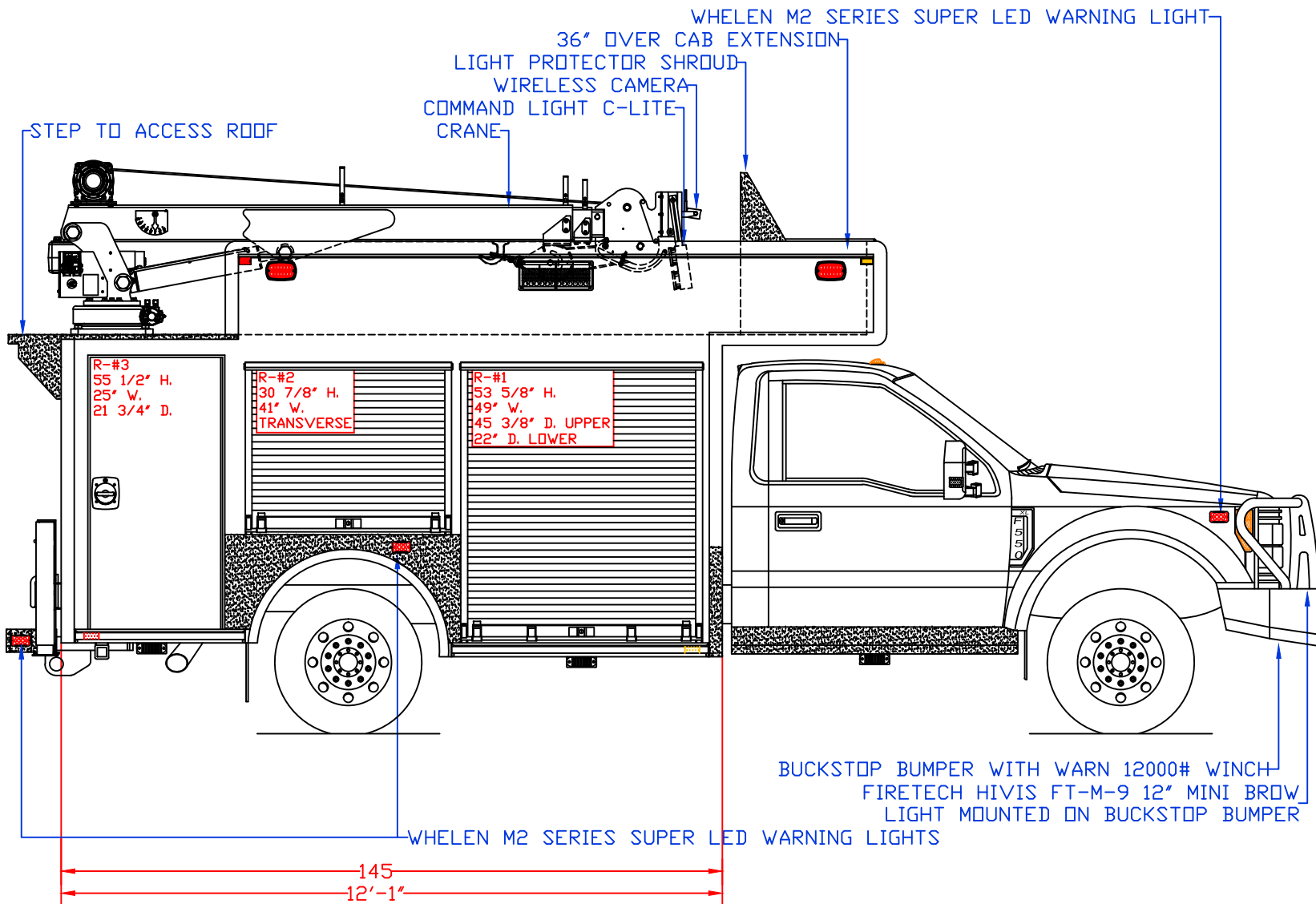
1250 SCHWEIZER ROAD PHONE (607) 796-0149
 HORSEHEADS, NY 14845 FAX (607) 739-7092

CUSTOMER APPROVED BY:

VEHICLE TYPE: RESCUE	CHASSIS: FORD F-550 CREW CAB 4X4
VIEW: STREETSIDE	BODY MAT'L: ALUMINUM
SCALE: NTS	BODY LENGTH: 145"/181"
DRAWN BY: NRW	APPROVED BY:
DATE: 12/21/2023	BODY STYLE:
DWG NO.: SKAMANIACO	REVISION:

SKAMANIA COUNTY EMS 12' CRANE RESCUE

NOTE: ALL DIMENSIONS ARE APPROXIMATE



WARD APPARATUS

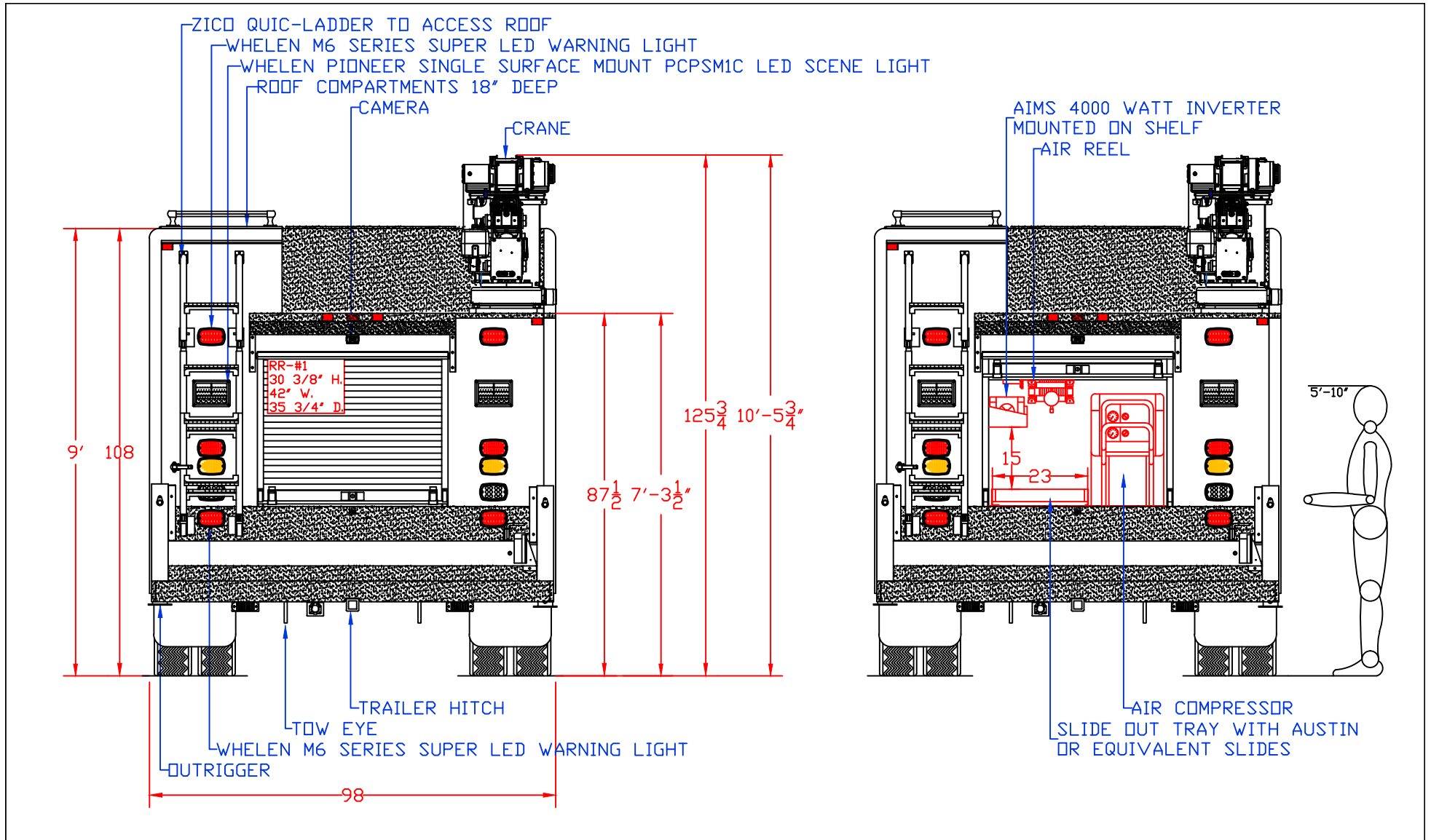
1250 SCHWEIZER ROAD PHONE (607) 796-0149
 HORSEHEADS, NY 14845 FAX (607) 739-7092

CUSTOMER APPROVED BY:

VEHICLE TYPE: RESCUE	CHASSIS: FORD F-550 CREW CAB 4X4
VIEW: CURBSIDE	BODY MAT'L: ALUMINUM
SCALE: NTS	BODY LENGTH: 145"/181"
DRAWN BY: NRW	APPROVED BY:
DATE: 12/21/2023	BODY STYLE:
DWG NO.: SKAMANIACO	REVISION:

SKAMANIA COUNTY EMS 12' CRANE RESCUE

NOTE: ALL DIMENSIONS ARE APPROXIMATE

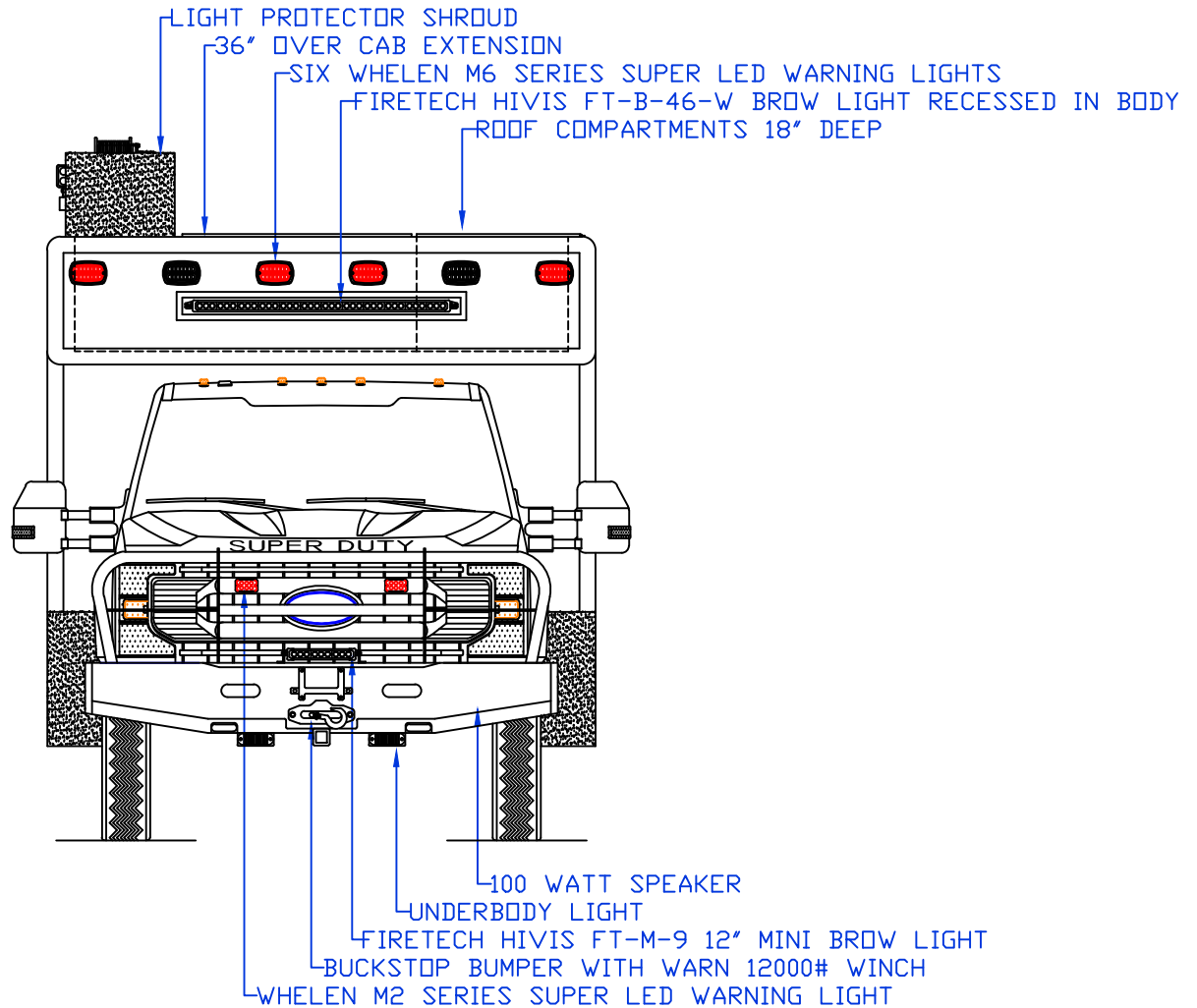


WARD APPARATUS
 1250 SCHWEIZER ROAD PHONE (607) 796-0149
 HORSEHEADS, NY 14845 FAX (607) 739-7092

CUSTOMER APPROVED BY:	
VEHICLE TYPE: RESCUE	CHASSIS: FORD F-550 CREW CAB 4X4
VIEW: REAR & REAR COMPARTMENT LAYOUT	BODY MAT'L: ALUMINUM
SCALE: NTS	BODY LENGTH: 145"/181"
DRAWN BY: NRW	APPROVED BY:
DATE: 12/21/2023	BODY STYLE:
DWG NO.: SKAMANIACO	REVISION:

SKAMANIA COUNTY EMS 12' CRANE RESCUE

NOTE: ALL DIMENSIONS ARE APPROXIMATE



WARD APPARATUS

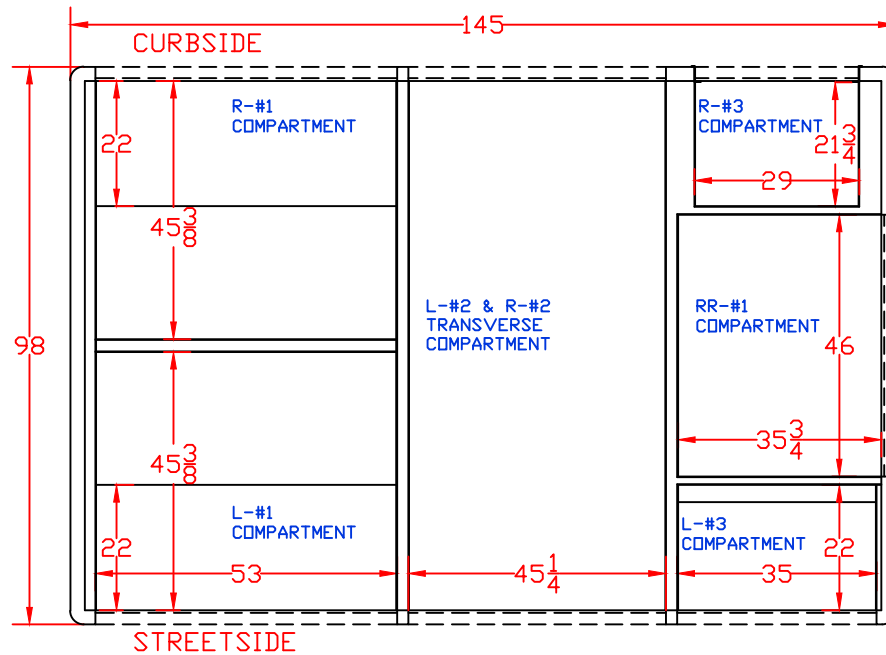
1250 SCHWEIZER ROAD PHONE (607) 796-0149
 HORSEHEADS, NY 14845 FAX (607) 739-7092

CUSTOMER APPROVED BY:

VEHICLE TYPE: RESCUE	CHASSIS: FORD F-550 CREW CAB 4X4
VIEW: FRONT	BODY MAT'L: ALUMINUM
SCALE: NTS	BODY LENGTH: 145"/181"
DRAWN BY: NRW	APPROVED BY:
DATE: 12/21/2023	BODY STYLE:
DWG NO.: SKAMANIACO	REVISION:

SKAMANIA COUNTY EMS 12' CRANE RESCUE

NOTE: ALL DIMENSIONS ARE APPROXIMATE



WARD APPARATUS

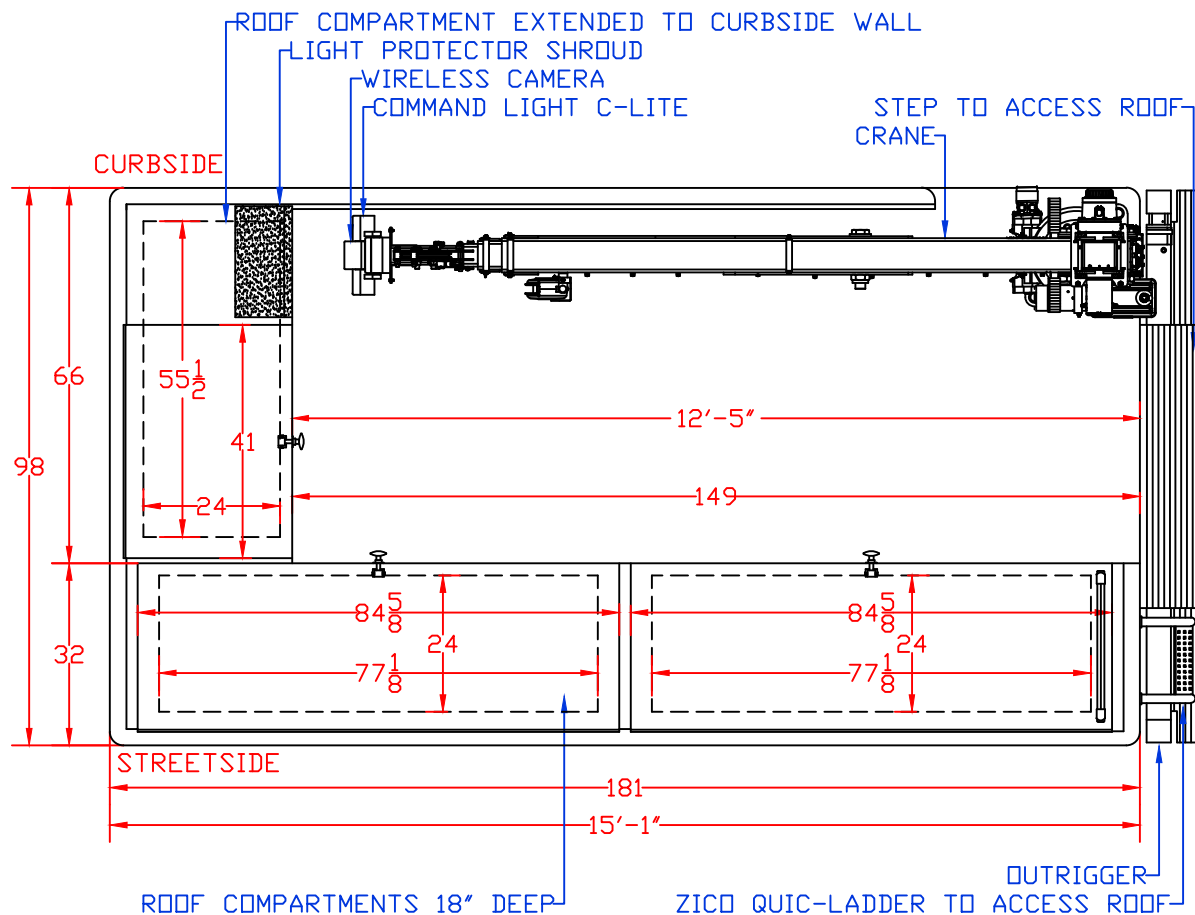
1250 SCHWEIZER ROAD PHONE (607) 796-0149
 HORSEHEADS, NY 14845 FAX (607) 739-7092

CUSTOMER APPROVED BY:

VEHICLE TYPE: RESCUE	CHASSIS: FORD F-550 CREW CAB 4X4
VIEW: TOP	BODY MAT'L: ALUMINUM
SCALE: NTS	BODY LENGTH: 145"/181"
DRAWN BY: NRW	APPROVED BY:
DATE: 12/21/2023	BODY STYLE:
DWG NO.: SKAMANIACO	REVISION:

SKAMANIA COUNTY EMS 12' CRANE RESCUE

NOTE: ALL DIMENSIONS ARE APPROXIMATE



WARD APPARATUS

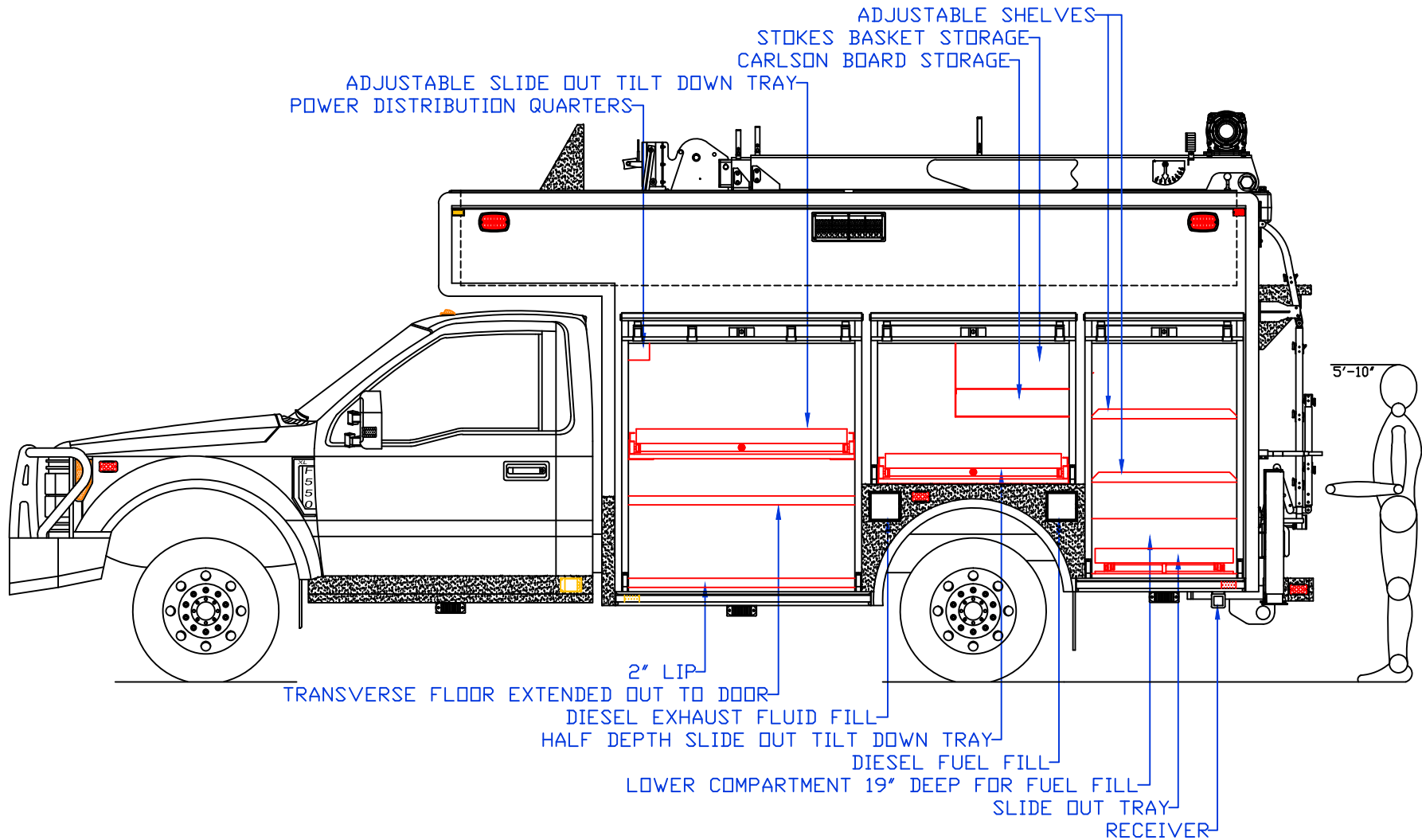
1250 SCHWEIZER ROAD PHONE (607) 796-0149
 HORSEHEADS, NY 14845 FAX (607) 739-7092

CUSTOMER APPROVED BY:

VEHICLE TYPE: RESCUE	CHASSIS: FORD F-550 CREW CAB 4X4
VIEW: ROOF	BODY MAT'L: ALUMINUM
SCALE: NTS	BODY LENGTH: 145"/181"
DRAWN BY: NRW	APPROVED BY:
DATE: 12/21/2023	BODY STYLE:
DWG NO.: SKAMANIACO	REVISION:

SKAMANIA COUNTY EMS 12' CRANE RESCUE

NOTE: ALL DIMENSIONS ARE APPROXIMATE



WARD APPARATUS

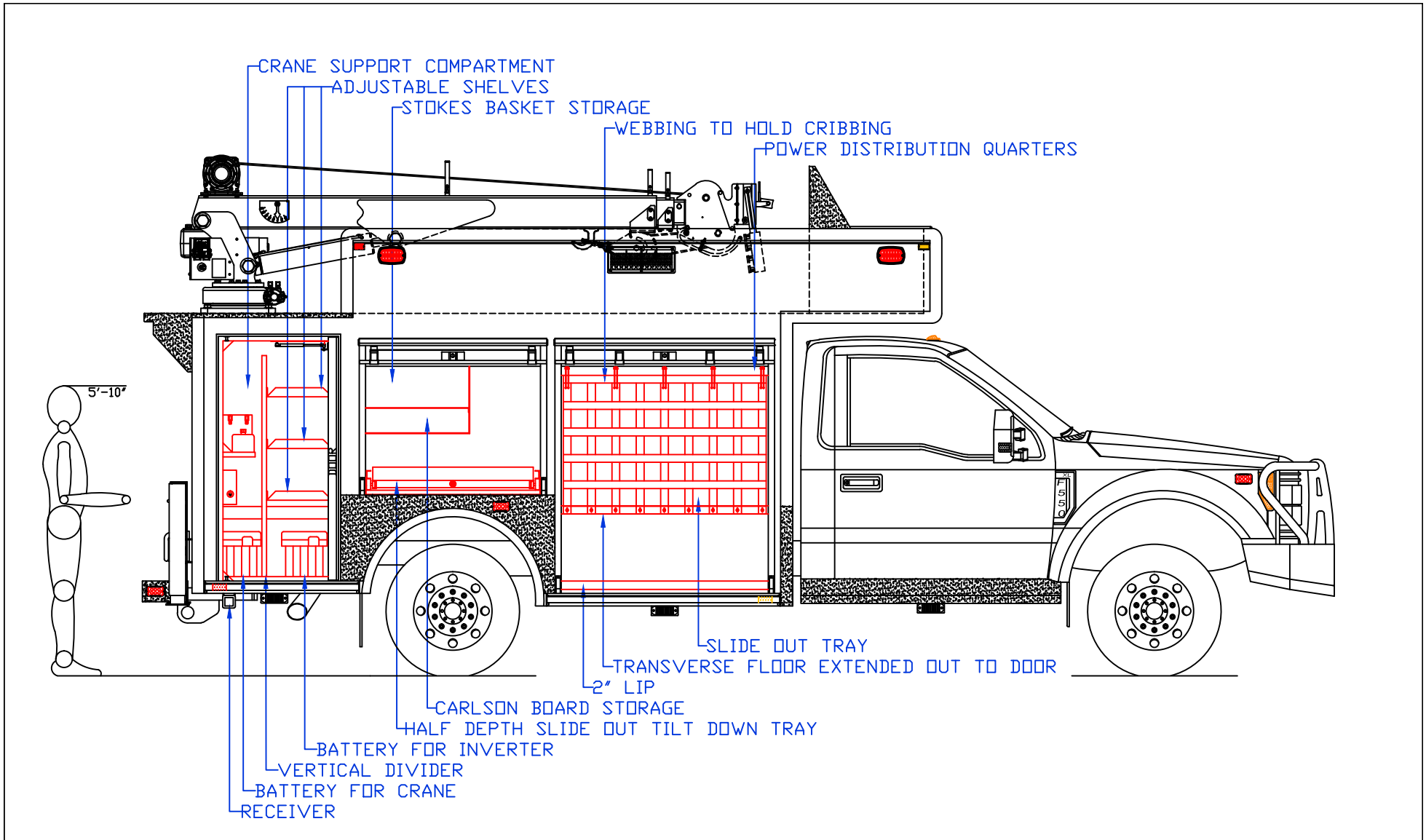
1250 SCHWEIZER ROAD PHONE (607) 796-0149
 HORSEHEADS, NY 14845 FAX (607) 739-7092

CUSTOMER APPROVED BY:

VEHICLE TYPE: RESCUE	CHASSIS: FORD F-550 CREW CAB 4X4
VIEW: STREETSIDE COMPARTMENT LAYOUT	BODY MAT'L: ALUMINUM
SCALE: NTS	BODY LENGTH: 145"/181"
DRAWN BY: NRW	APPROVED BY:
DATE: 12/21/2023	BODY STYLE:
DWG NO.: SKAMANIACO	REVISION:

SKAMANIA COUNTY EMS 12' CRANE RESCUE

NOTE: ALL DIMENSIONS ARE APPROXIMATE



WARD APPARATUS

1250 SCHWEIZER ROAD PHONE (607) 796-0149
 HORSEHEADS, NY 14845 FAX (607) 739-7092

SKAMANIA COUNTY EMS 12' CRANE RESCUE

CUSTOMER APPROVED BY:

VEHICLE TYPE: RESCUE	CHASSIS: FORD F-550 CREW CAB 4X4
VIEW: CURBSIDE COMPARTMENT LAYOUT	BODY MAT'L: ALUMINUM
SCALE: NTS	BODY LENGTH: 145"/181"
DRAWN BY: NRW	APPROVED BY:
DATE: 12/21/2023	BODY STYLE:
DWG NO.: SKAMANIACO	REVISION:

NOTE: ALL DIMENSIONS ARE APPROXIMATE