

WARD APPARATUS

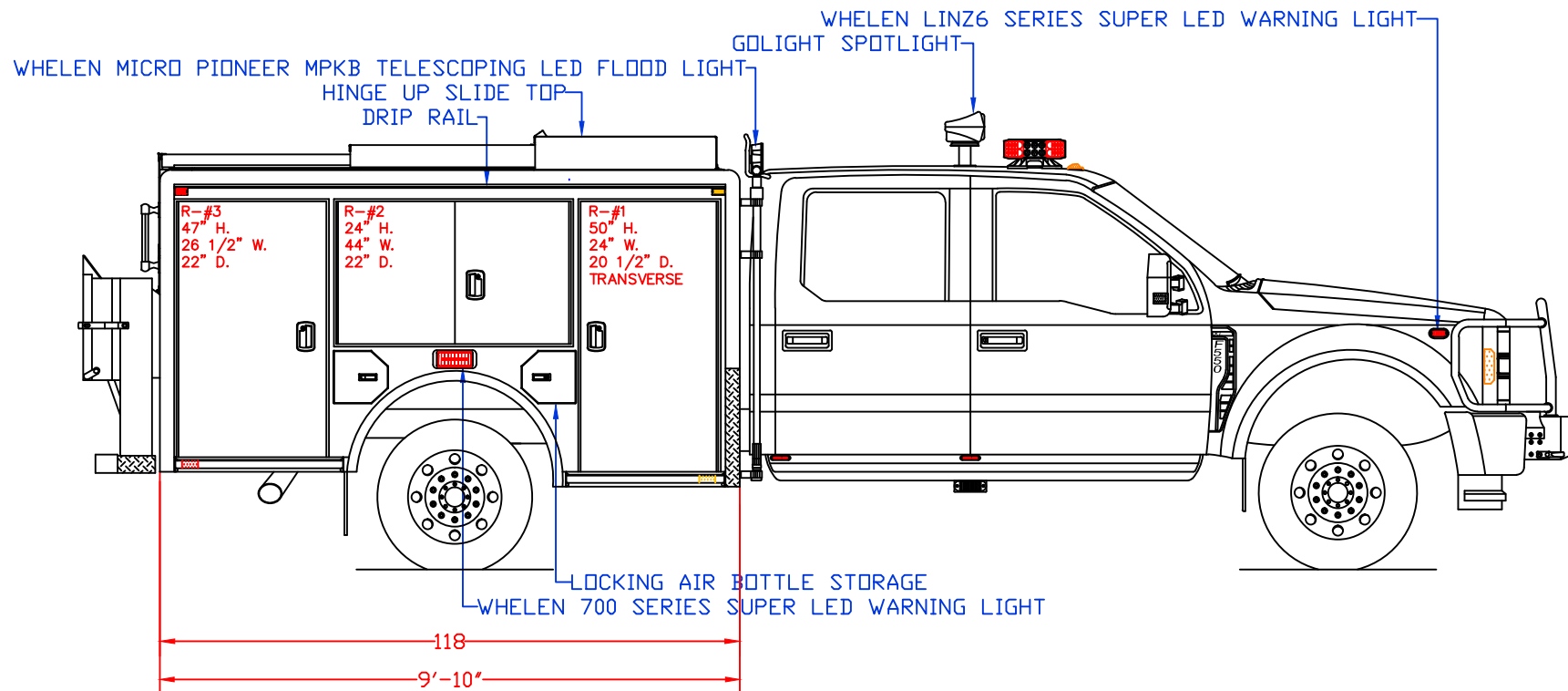
1250 SCHWEIZER ROAD PHONE (607) 796-0149
HORSEHEADS, NY 14845 FAX (607) 739-7092

SAN BERNARDINO COUNTY

CUSTOMER APPROVED BY:

VEHICLE TYPE: HAZMAT	CHASSIS: FORD F-550 CREW CAB 4X4
VIEW: STREETSIDE	BODY MAT'L: ALUMINUM
SCALE: NTS	BODY LENGTH: 118"
DRAWN BY: NRW	APPROVED BY:
DATE: 3/28/2024	BODY STYLE:
DWG NO.: SANBERNARDINOHAZMAT	REVISION:

NOTE: ALL DIMENSIONS ARE APPROXIMATE



WARD APPARATUS

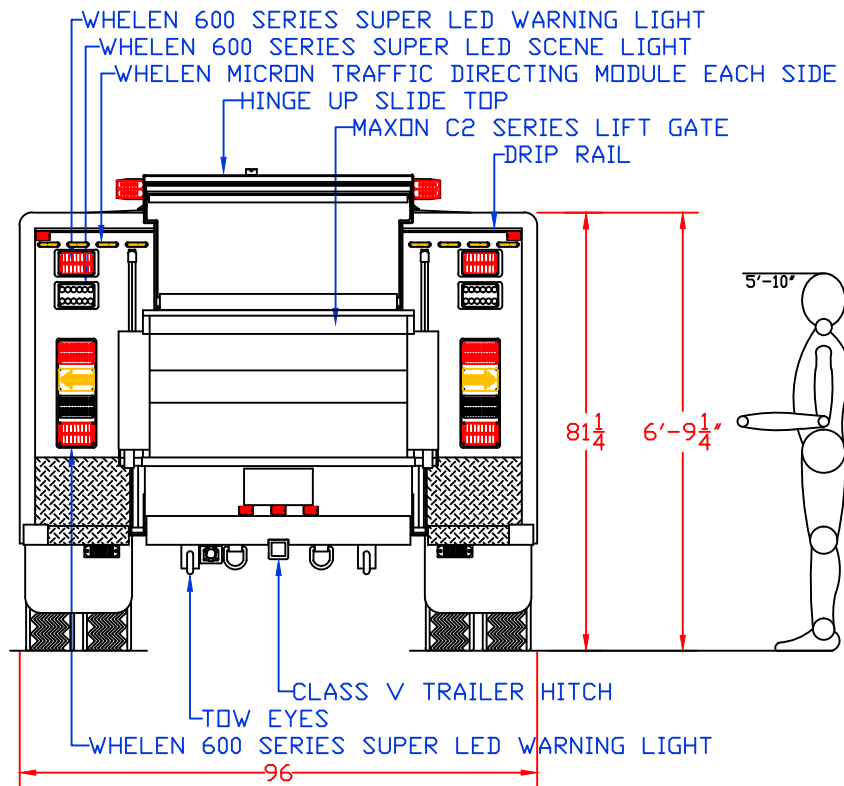
1250 SCHWEIZER ROAD PHONE (607) 796-0149
 HORSEHEADS, NY 14845 FAX (607) 739-7092

SAN BERNARDINO COUNTY

CUSTOMER APPROVED BY:

VEHICLE TYPE: HAZMAT	CHASSIS: FORD F-550 CREW CAB 4X4
VIEW: CURBSIDE	BODY MAT'L: ALUMINUM
SCALE: NTS	BODY LENGTH: 118"
DRAWN BY: NRW	APPROVED BY:
DATE: 3/28/2024	BODY STYLE:
DWG NO.: SANBERNARDINOHAZMAT	REVISION:

NOTE: ALL DIMENSIONS ARE APPROXIMATE



WARD APPARATUS

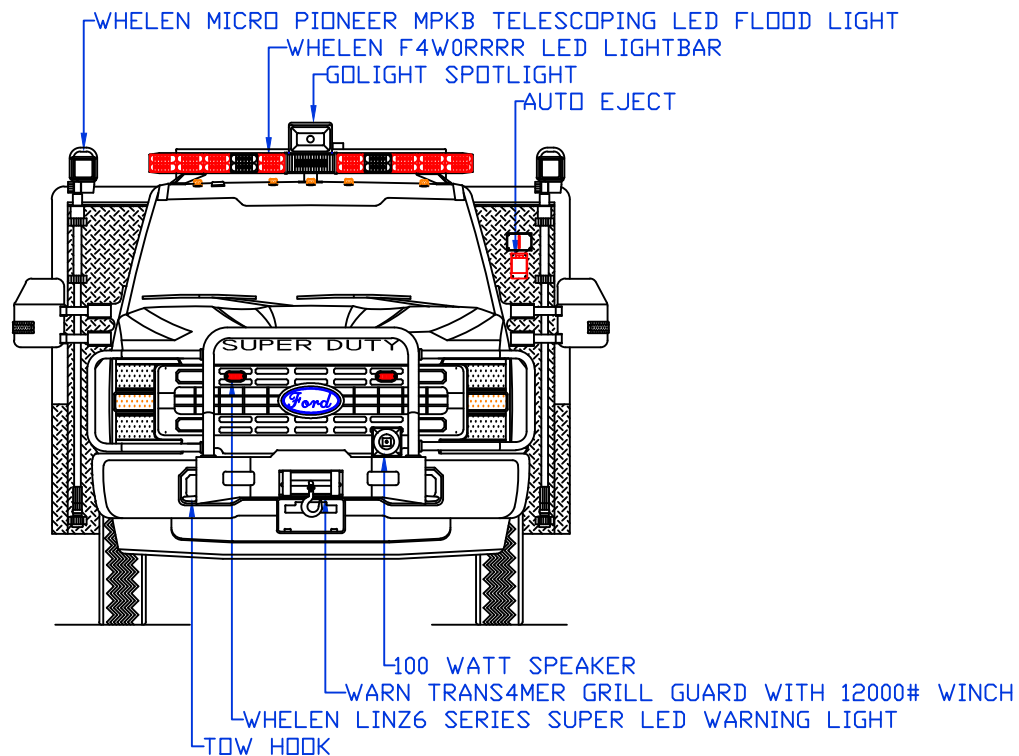
1250 SCHWEIZER ROAD PHONE (607) 796-0149
 HORSEHEADS, NY 14845 FAX (607) 739-7092

SAN BERNARDINO COUNTY

CUSTOMER APPROVED BY:

VEHICLE TYPE: HAZMAT	CHASSIS: FORD F-550 CREW CAB 4X4
VIEW: REAR	BODY MAT'L: ALUMINUM
SCALE: NTS	BODY LENGTH: 118"
DRAWN BY: NRW	APPROVED BY:
DATE: 3/28/2024	BODY STYLE:
DWG NO.: SANBERNARDINOHAZMAT	REVISION:

NOTE: ALL DIMENSIONS ARE APPROXIMATE



WARD APPARATUS

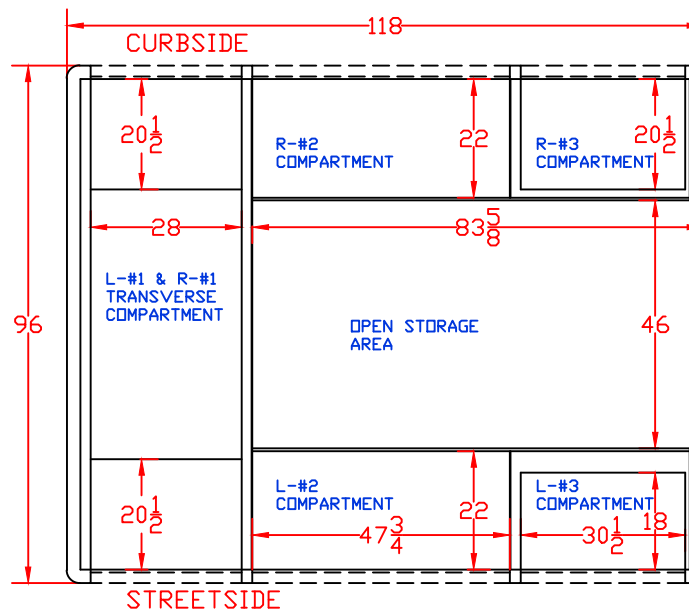
1250 SCHWEIZER ROAD PHONE (607) 796-0149
 HORSEHEADS, NY 14845 FAX (607) 739-7092

SAN BERNARDINO COUNTY

CUSTOMER APPROVED BY:

VEHICLE TYPE: HAZMAT	CHASSIS: FORD F-550 CREW CAB 4X4
VIEW: FRONT	BODY MAT'L: ALUMINUM
SCALE: NTS	BODY LENGTH: 118"
DRAWN BY: NRW	APPROVED BY:
DATE: 3/28/2024	BODY STYLE:
DWG NO.: SANBERNARDINOHAZMAT	REVISION:

NOTE: ALL DIMENSIONS ARE APPROXIMATE



WARD APPARATUS

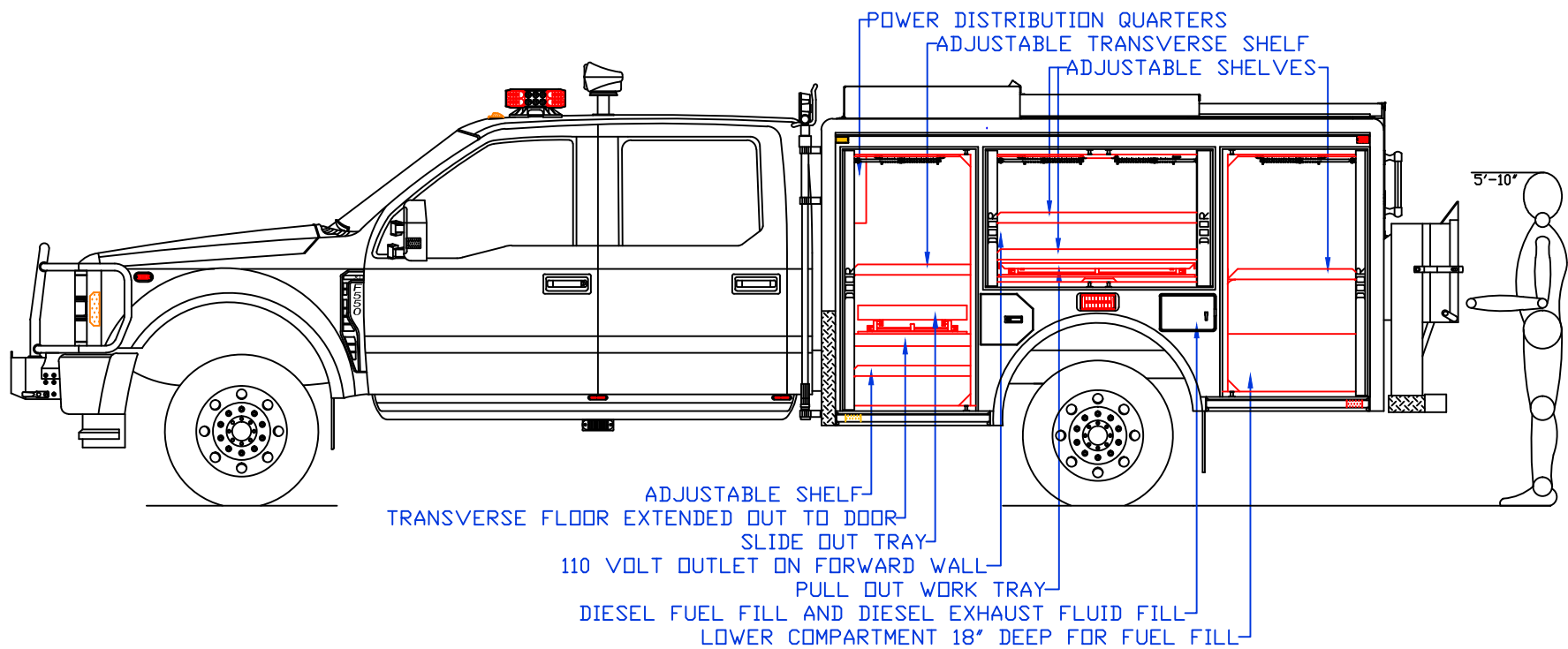
1250 SCHWEIZER ROAD PHONE (607) 796-0149
 HORSEHEADS, NY 14845 FAX (607) 739-7092

SAN BERNARDINO COUNTY

CUSTOMER APPROVED BY:

VEHICLE TYPE: HAZMAT	CHASSIS: FORD F-550 CREW CAB 4X4
VIEW: TOP	BODY MAT'L: ALUMINUM
SCALE: NTS	BODY LENGTH: 118"
DRAWN BY: NRW	APPROVED BY:
DATE: 3/28/2024	BODY STYLE:
DWG NO.: SANBERNARDINOHAZMAT	REVISION:

NOTE: ALL DIMENSIONS ARE APPROXIMATE



WARD APPARATUS

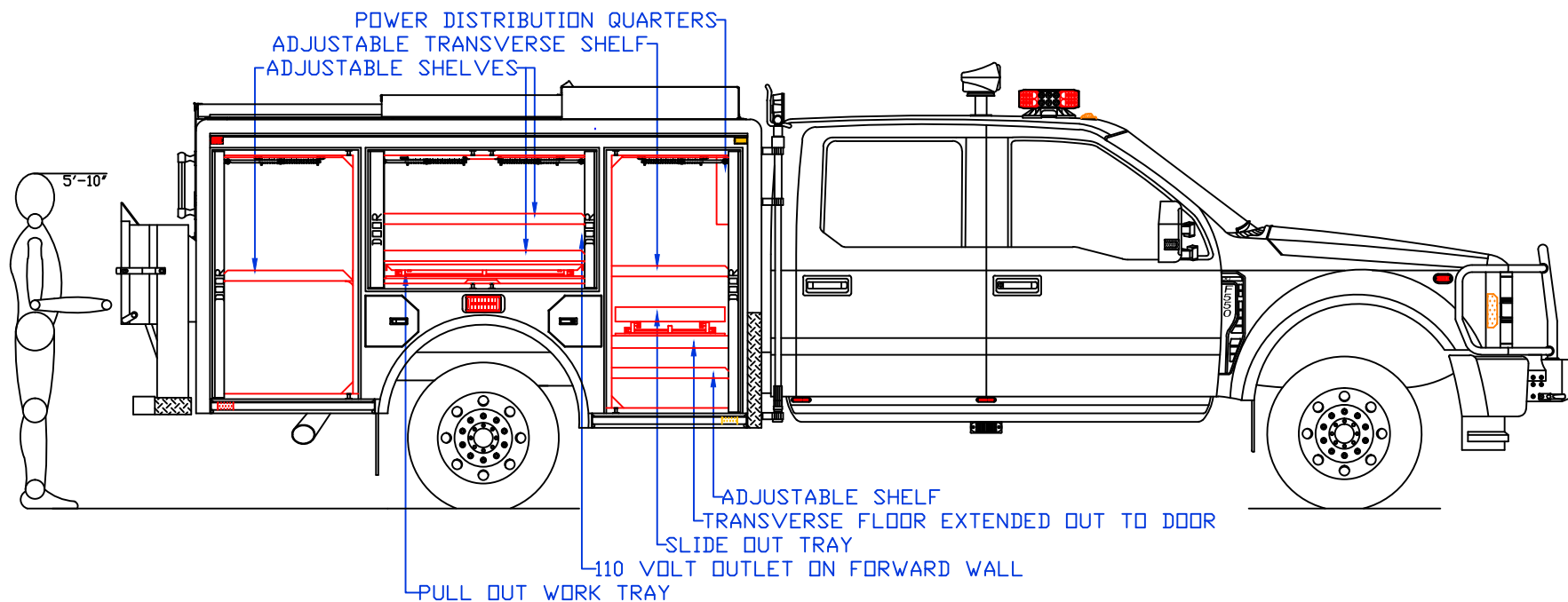
1250 SCHWEIZER ROAD PHONE (607) 796-0149
 HORSEHEADS, NY 14845 FAX (607) 739-7092

SAN BERNARDINO COUNTY

CUSTOMER APPROVED BY:

VEHICLE TYPE: HAZMAT	CHASSIS: FORD F-550 CREW CAB 4X4
VIEW: STREETSIDE COMPARTMENT LAYOUT	BODY MAT'L: ALUMINUM
SCALE: NTS	BODY LENGTH: 118"
DRAWN BY: NRW	APPROVED BY:
DATE: 3/28/2024	BODY STYLE:
DWG NO.: SANBERNARDINOHAZMAT	REVISION:

NOTE: ALL DIMENSIONS ARE APPROXIMATE



WARD APPARATUS

1250 SCHWEIZER ROAD PHONE (607) 796-0149
 HORSEHEADS, NY 14845 FAX (607) 739-7092

SAN BERNARDINO COUNTY

CUSTOMER APPROVED BY:

VEHICLE TYPE: HAZMAT	CHASSIS: FORD F-550 CREW CAB 4X4
VIEW: CURBSIDE COMPARTMENT LAYOUT	BODY MAT'L: ALUMINUM
SCALE: NTS	BODY LENGTH: 118"
DRAWN BY: NRW	APPROVED BY:
DATE: 3/28/2024	BODY STYLE:
DWG NO.: SANBERNARDINOHAZMAT	REVISION:

NOTE: ALL DIMENSIONS ARE APPROXIMATE