

**WARD APPARATUS**

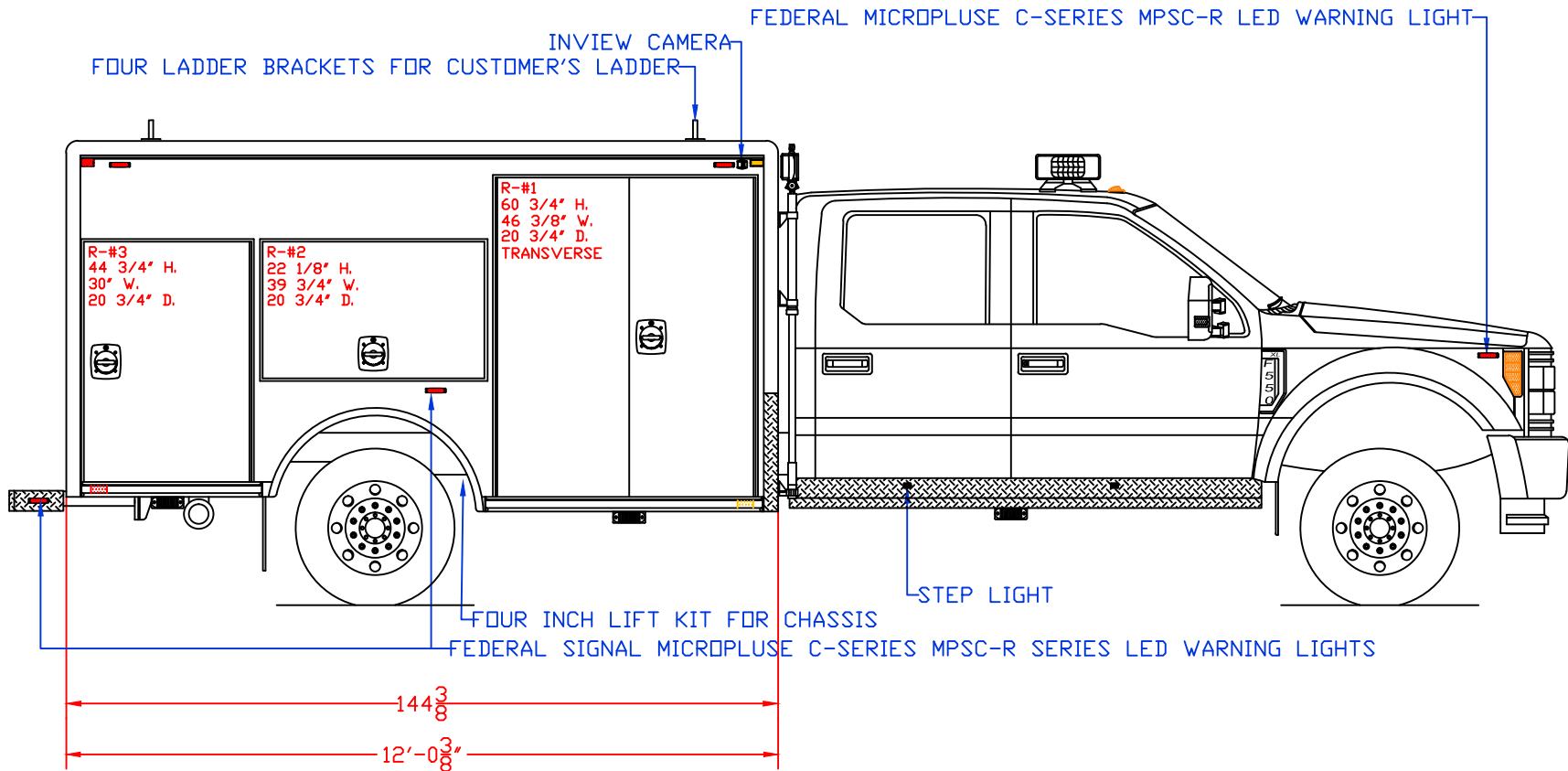
1250 SCHWEIZER ROAD      PHONE (607) 796-0149  
 HORSEHEADS, NY 14845      FAX (607) 739-7092

**CUSTOMER APPROVED BY:**

VEHICLE TYPE: TYPE 6	CHASSIS: FORD F-550 CREW CAB 4X4 WITH 4" LIFT KIT
VIEW: STREETSIDE	BODY MAT'L: ALUMINUM
SCALE: NTS	BODY LENGTH: 144 3/8"
DRAWN BY: NRW	APPROVED BY:
DATE: 5/23/2024	BODY STYLE:
DWG NO.: RIVERSIDECOTYPE6	REVISION:

RIVERSIDE COUNTY PATROL UNIT

NOTE: ALL DIMENSIONS ARE APPROXIMATE



**WARD APPARATUS**

1250 SCHWEIZER ROAD PHONE (607) 796-0149  
 HORSEHEADS, NY 14845 FAX (607) 739-7092

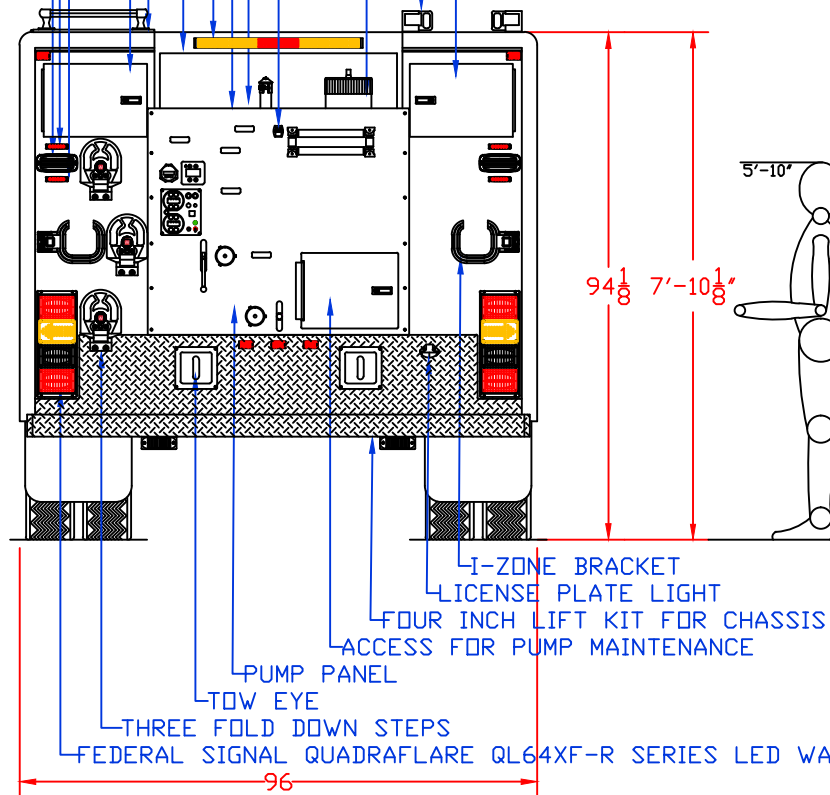
RIVERSIDE COUNTY PATROL UNIT

<b>CUSTOMER APPROVED BY:</b>	
VEHICLE TYPE: TYPE 6	CHASSIS: FORD F-550 CREW CAB 4X4 WITH 4" LIFT KIT
VIEW: CURBSIDE	BODY MAT'L: ALUMINUM
SCALE: NTS	BODY LENGTH: 144 3/8"
DRAWN BY: NRW	APPROVED BY:
DATE: 5/23/2024	BODY STYLE:
DWG NO.: RIVERSIDECOTYPE6	REVISION:

*NOTE: ALL DIMENSIONS ARE APPROXIMATE*

HINGED LIFT UP LID TO ACCESS HOSE BED  
 LEFT SIDE UPPER STORAGE COMPARTMENT TO  
 ACCESS HOSE BED 11" H. X 18" W. X 138 1/2" D.  
 FEDERAL SIGNAL MICROPLUSE C-SERIES  
 MPSC-R SERIES LED WARNING LIGHTS  
 FEDERAL SIGNAL FR7 SERIES LED SCENE LIGHT

10" TALL STORAGE BIN ABOVE WATER TANK  
 FEDERAL SIGNALMASTER CNC5M8R LED DIRECTIONAL WARNING LIGHT  
 DARLEY PUMP 2.5 AGE 48K KUBOTA  
 250 GALLON WATER TANK WITH 10 GALLON FOAM TANK  
 I-VIEW CAMERA  
 HANNAY EF16.5-30-31-10RT BOOSTER REEL WITH TWO  
 LENGTHS OF 50' X 1" NIEDER REELTEX BOOSTER HOSE  
 MOUNTED 12" ABOVE FLOOR FOR PUMP ACCESS  
 FOUR LADDER BRACKETS FOR CUSTOMER'S LADDER  
 RIGHT SIDE UPPER STORAGE COMPARTMENT  
 11" H. X 18" W. X 84" D.



**WARD APPARATUS**

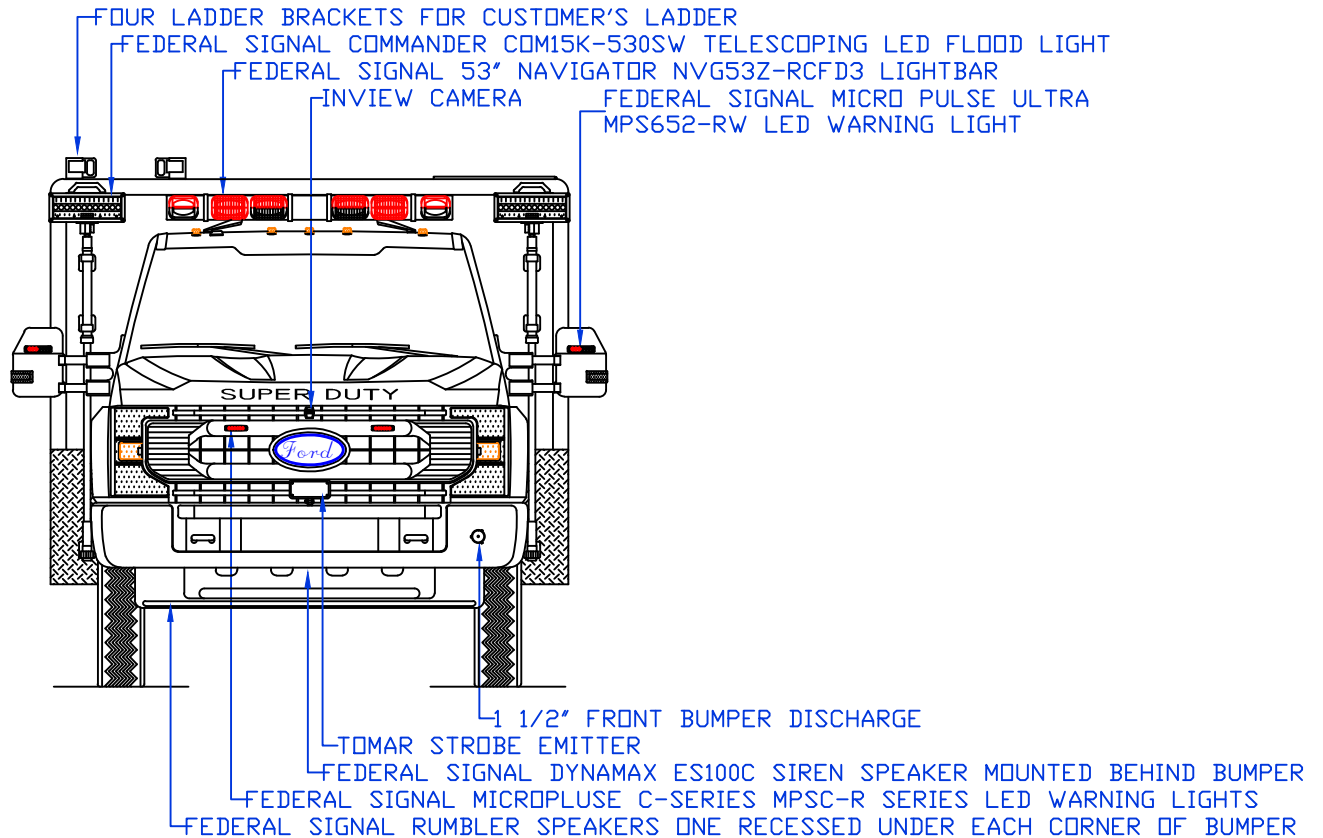
1250 SCHWEIZER ROAD PHONE (607) 796-0149  
 HORSEHEADS, NY 14845 FAX (607) 739-7092

**CUSTOMER APPROVED BY:**

VEHICLE TYPE: TYPE 6	CHASSIS: FORD F-550 CREW CAB 4X4 WITH 4" LIFT KIT
VIEW: REAR	BODY MAT'L: ALUMINUM
SCALE: NTS	BODY LENGTH: 144 3/8"
DRAWN BY: NRW	APPROVED BY:
DATE: 5/23/2024	BODY STYLE:
DWG NO.: RIVERSIDECOTYPE6	REVISION:

RIVERSIDE COUNTY PATROL UNIT

NOTE: ALL DIMENSIONS ARE APPROXIMATE



**WARD APPARATUS**

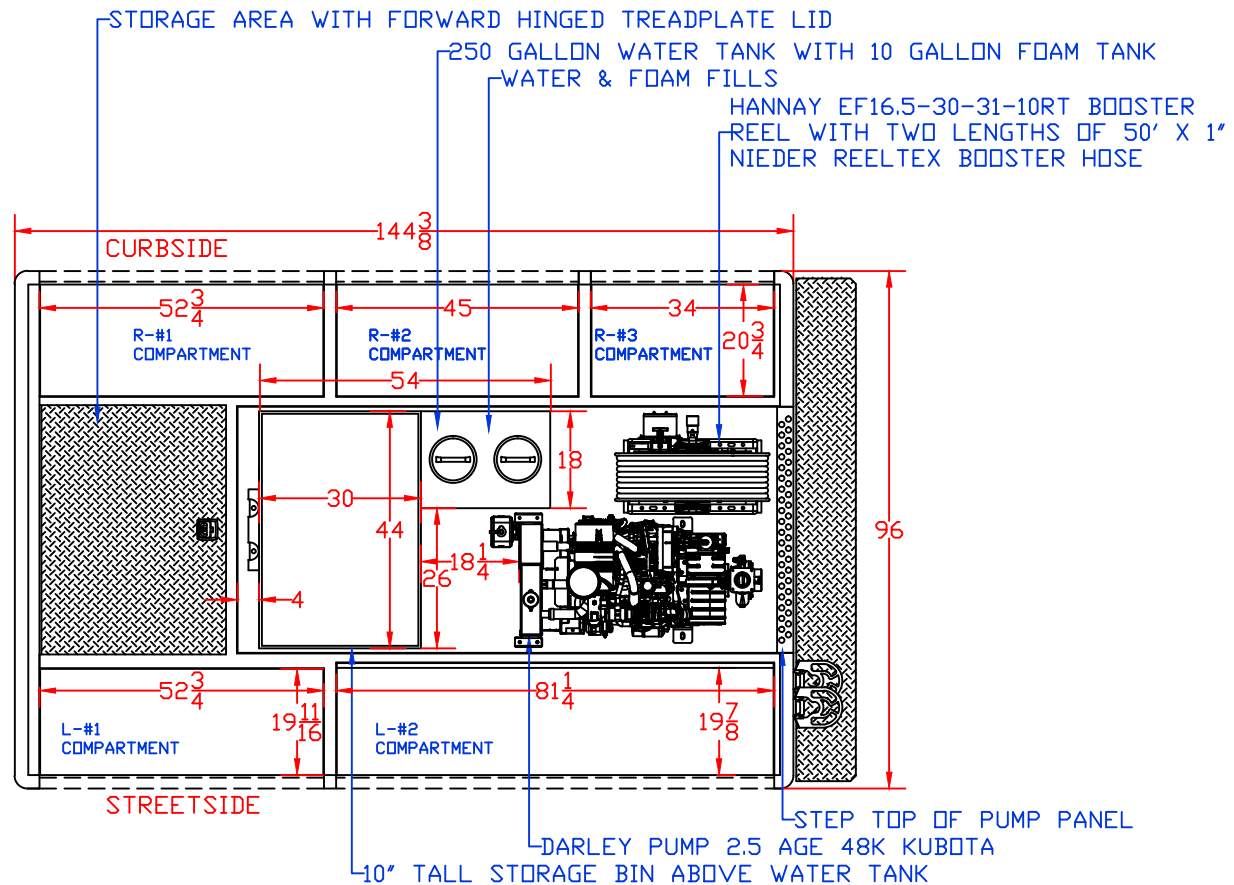
1250 SCHWEIZER ROAD PHONE (607) 796-0149  
 HORSEHEADS, NY 14845 FAX (607) 739-7092

**CUSTOMER APPROVED BY:**

VEHICLE TYPE: TYPE 6	CHASSIS: FORD F-550 CREW CAB 4X4 WITH 4" LIFT KIT
VIEW: FRONT	BODY MAT'L: ALUMINUM
SCALE: NTS	BODY LENGTH: 144 3/8"
DRAWN BY: NRW	APPROVED BY:
DATE: 5/23/2024	BODY STYLE:
DWG NO.: RIVERSIDECOTYPE6	REVISION:

NOTE: ALL DIMENSIONS ARE APPROXIMATE

RIVERSIDE COUNTY PATROL UNIT



**WARD APPARATUS**

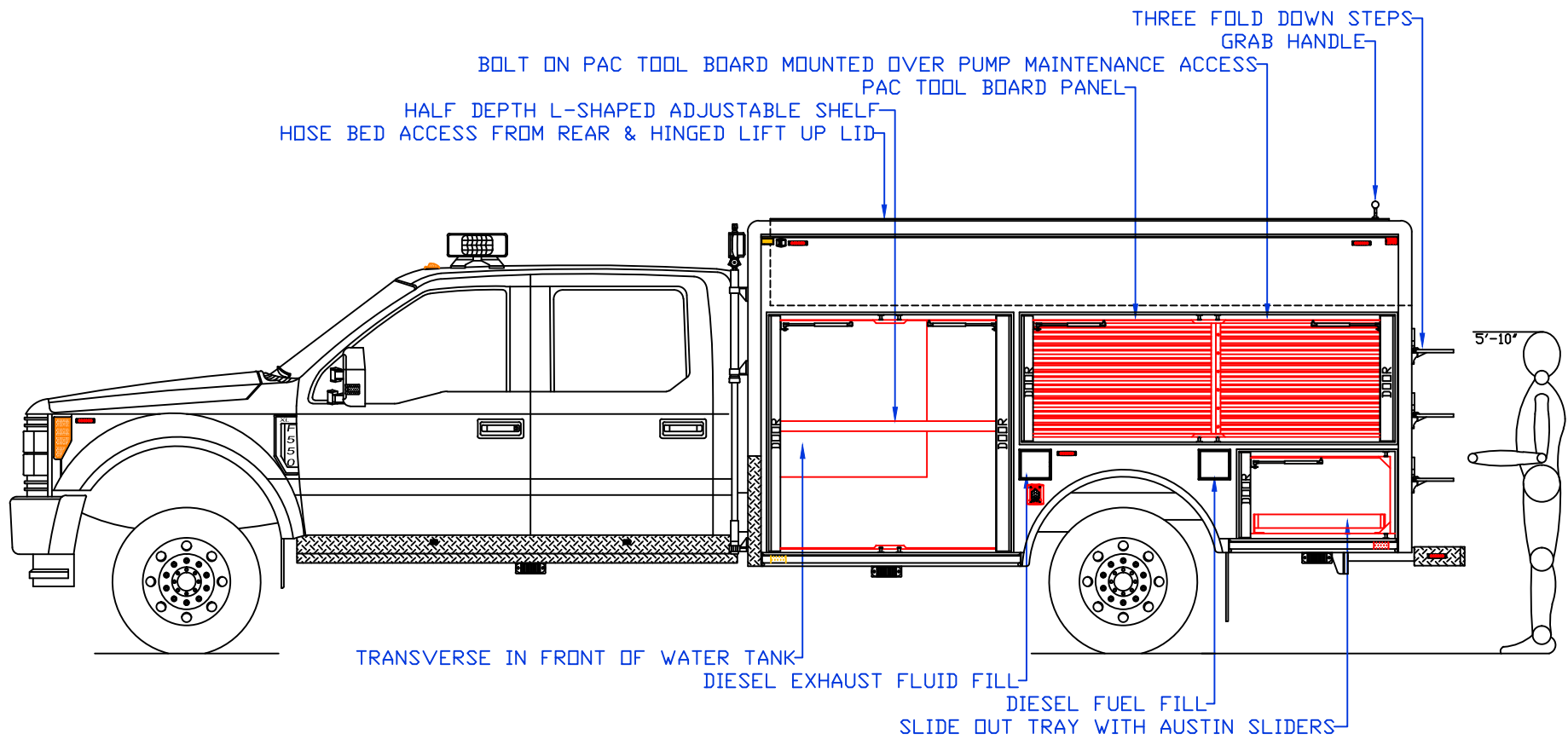
1250 SCHWEIZER ROAD PHONE (607) 796-0149  
HORSEHEADS, NY 14845 FAX (607) 739-7092

CUSTOMER APPROVED BY:

VEHICLE TYPE: TYPE 6	CHASSIS: FORD F-550 CREW CAB 4X4 WITH 4" LIFT KIT
VIEW: TOP	BODY MAT'L: ALUMINUM
SCALE: NTS	BODY LENGTH: 144 3/8"
DRAWN BY: NRW	APPROVED BY:
DATE: 5/23/2024	BODY STYLE:
DWG NO.: RIVERSIDECOTYPE6	REVISION:

NOTE: ALL DIMENSIONS ARE APPROXIMATE

RIVERSIDE COUNTY PATROL UNIT



**WARD APPARATUS**

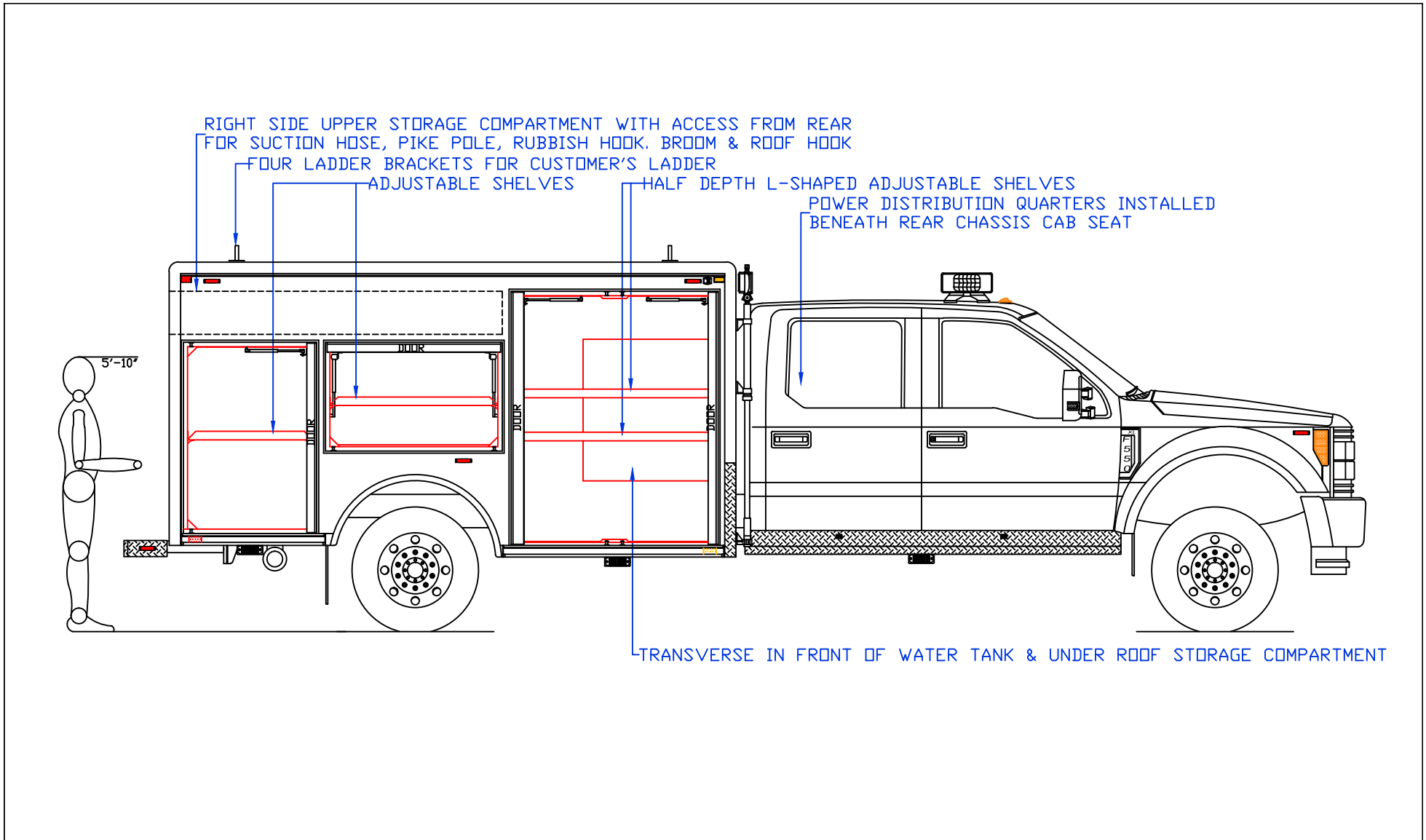
1250 SCHWEIZER ROAD PHONE (607) 796-0149  
 HORSEHEADS, NY 14845 FAX (607) 739-7092

RIVERSIDE COUNTY PATROL UNIT

**CUSTOMER APPROVED BY:**

VEHICLE TYPE: TYPE 6	CHASSIS: FORD F-550 CREW CAB 4X4 WITH 4" LIFT KIT
VIEW: STREETSIDE COMPARTMENT LAYOUT	BODY MAT'L: ALUMINUM
SCALE: NTS	BODY LENGTH: 144 3/8"
DRAWN BY: NRW	APPROVED BY:
DATE: 5/23/2024	BODY STYLE:
DWG NO.: RIVERSIDECOTYPE6	REVISION:

NOTE: ALL DIMENSIONS ARE APPROXIMATE



**WARD APPARATUS**  
 1250 SCHWEIZER ROAD    PHONE (607) 796-0149  
 HORSEHEADS, NY 14845    FAX (607) 739-7092

<b>CUSTOMER APPROVED BY:</b>	
VEHICLE TYPE: TYPE 6	CHASSIS: FORD F-550 CREW CAB 4X4 WITH 4" LIFT KIT
VIEW: CURBSIDE COMPARTMENT LAYOUT	BODY MAT'L: ALUMINUM
SCALE: NTS	BODY LENGTH: 144 3/8"
DRAWN BY: NRW	APPROVED BY:
DATE: 5/23/2024	BODY STYLE:
DWG NO.: RIVERSIDECOTYPE6	REVISION:

RIVERSIDE COUNTY PATROL UNIT

*NOTE: ALL DIMENSIONS ARE APPROXIMATE*