

WARD APPARATUS

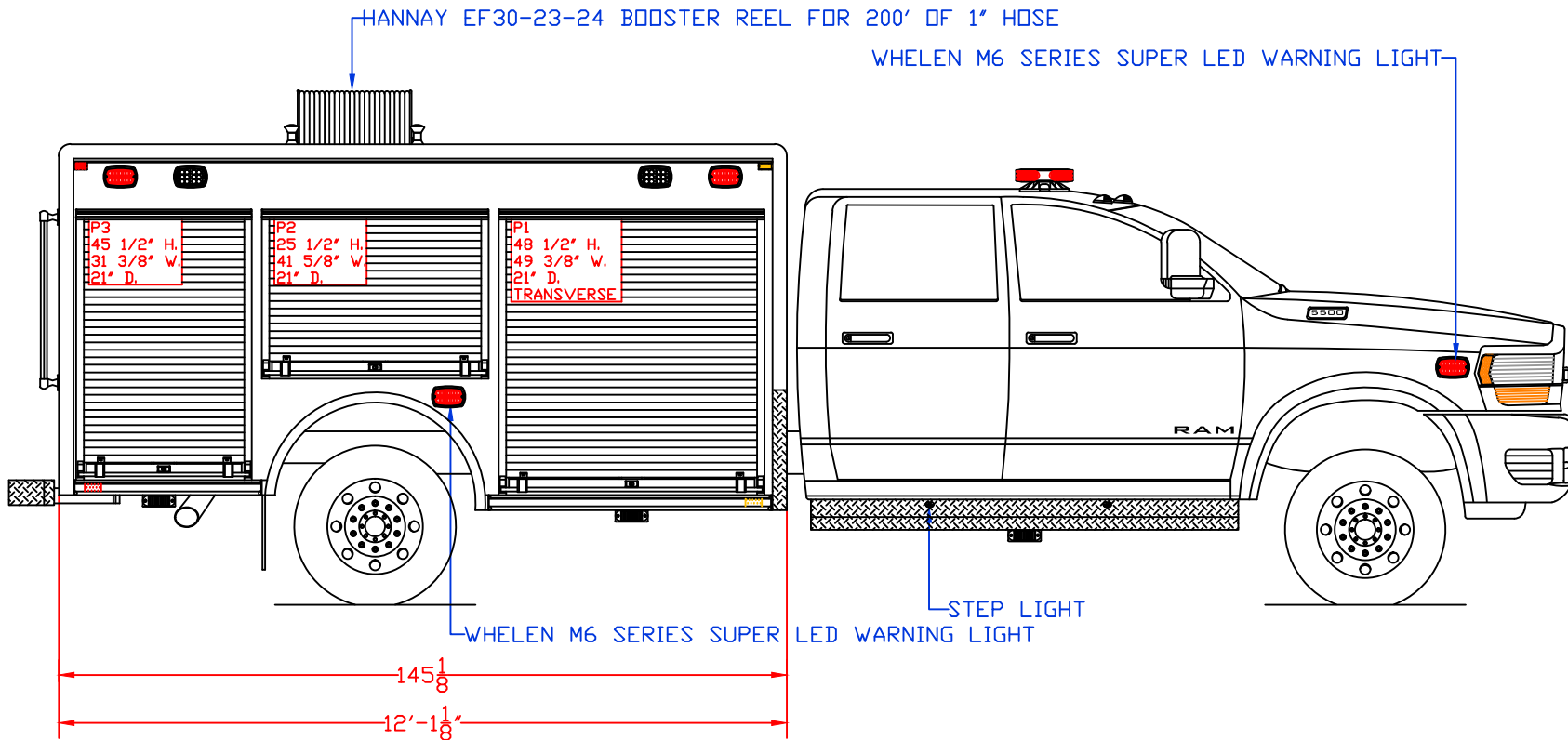
1250 SCHWEIZER ROAD PHONE (607) 796-0149
 HORSEHEADS, NY 14845 FAX (607) 739-7092

CUSTOMER APPROVED BY:

VEHICLE TYPE: BRUSH TRUCK	CHASSIS: RAM 5500 CREW CAB 4X4
VIEW: STREETSIDE	BODY MAT'L: ALUMINUM
SCALE: NTS	BODY LENGTH: 145 1/8"
DRAWN BY: NRW	APPROVED BY:
DATE: 8/19/2024	BODY STYLE:
DWG NO.: DOEBRUSHTRUCK	REVISION:

DOE LIGHT 12' FIRE BRUSH TRUCK

NOTE: ALL DIMENSIONS ARE APPROXIMATE



WARD APPARATUS

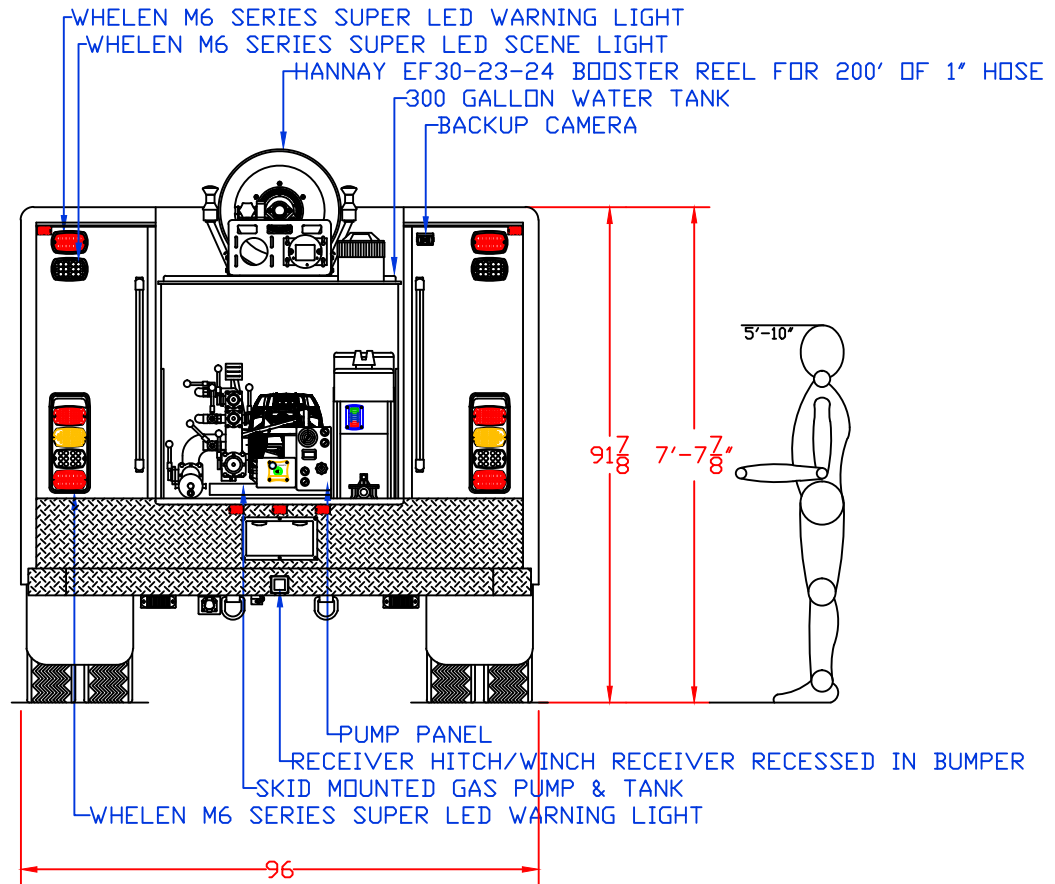
1250 SCHWEIZER ROAD PHONE (607) 796-0149
HORSEHEADS, NY 14845 FAX (607) 739-7092

CUSTOMER APPROVED BY:

VEHICLE TYPE: BRUSH TRUCK	CHASSIS: RAM 5500 CREW CAB 4X4
VIEW: CURBSIDE	BODY MAT'L: ALUMINUM
SCALE: NTS	BODY LENGTH: 145 1/8"
DRAWN BY: NRW	APPROVED BY:
DATE: 8/19/2024	BODY STYLE:
DWG NO.: DOEBRUSHTRUCK	REVISION:

DOE LIGHT 12' FIRE BRUSH TRUCK

NOTE: ALL DIMENSIONS ARE APPROXIMATE



WARD APPARATUS

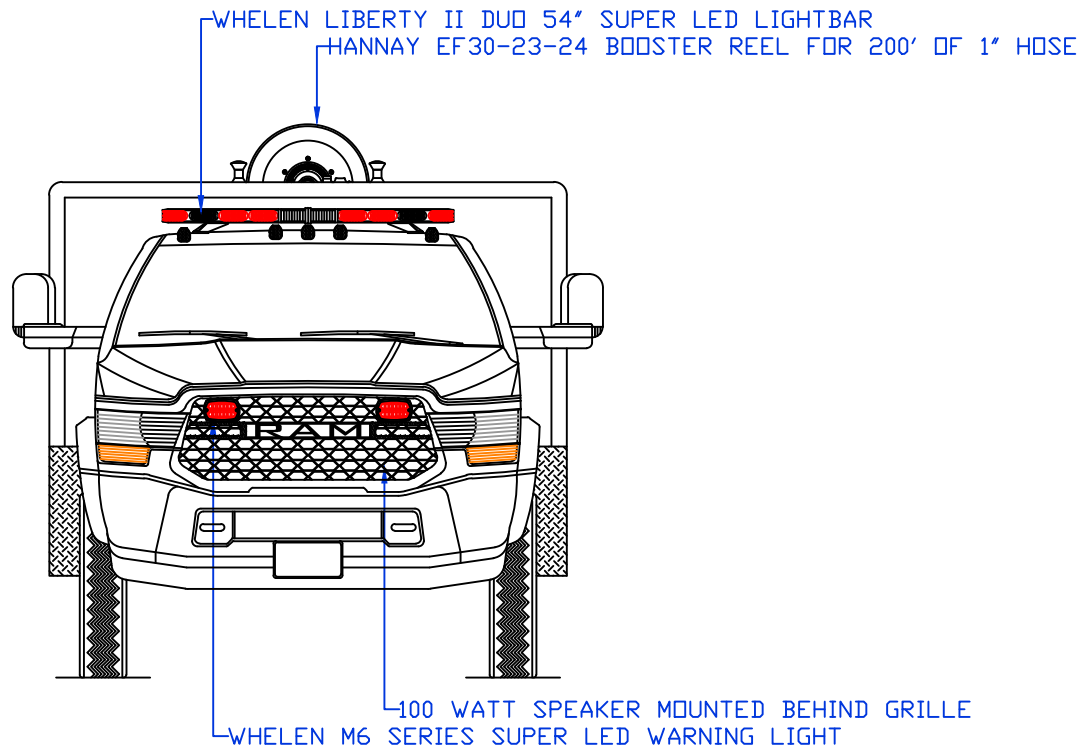
1250 SCHWEIZER ROAD PHONE (607) 796-0149
 HORSEHEADS, NY 14845 FAX (607) 739-7092

CUSTOMER APPROVED BY:

VEHICLE TYPE: BRUSH TRUCK	CHASSIS: RAM 5500 CREW CAB 4X4
VIEW: REAR	BODY MAT'L: ALUMINUM
SCALE: NTS	BODY LENGTH: 145 1/8"
DRAWN BY: NRW	APPROVED BY:
DATE: 8/19/2024	BODY STYLE:
DWG NO.: DOEBRUSHTRUCK	REVISION:

DOE LIGHT 12' FIRE BRUSH TRUCK

NOTE: ALL DIMENSIONS ARE APPROXIMATE



WARD APPARATUS

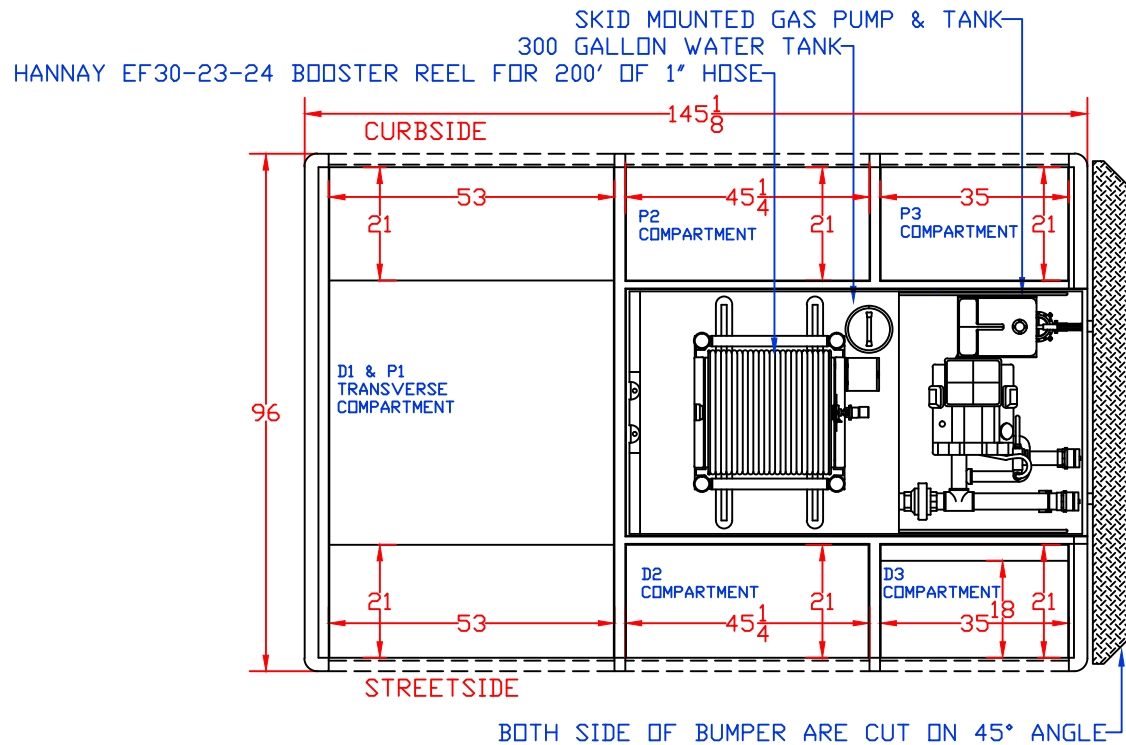
1250 SCHWEIZER ROAD PHONE (607) 796-0149
 HORSEHEADS, NY 14845 FAX (607) 739-7092

CUSTOMER APPROVED BY:

VEHICLE TYPE: BRUSH TRUCK	CHASSIS: RAM 5500 CREW CAB 4X4
VIEW: FRONT	BODY MAT'L: ALUMINUM
SCALE: NTS	BODY LENGTH: 145 1/8"
DRAWN BY: NRW	APPROVED BY:
DATE: 8/19/2024	BODY STYLE:
DWG NO.: DOEBRUSHTRUCK	REVISION:

DOE LIGHT 12' FIRE BRUSH TRUCK

NOTE: ALL DIMENSIONS ARE APPROXIMATE



WARD APPARATUS

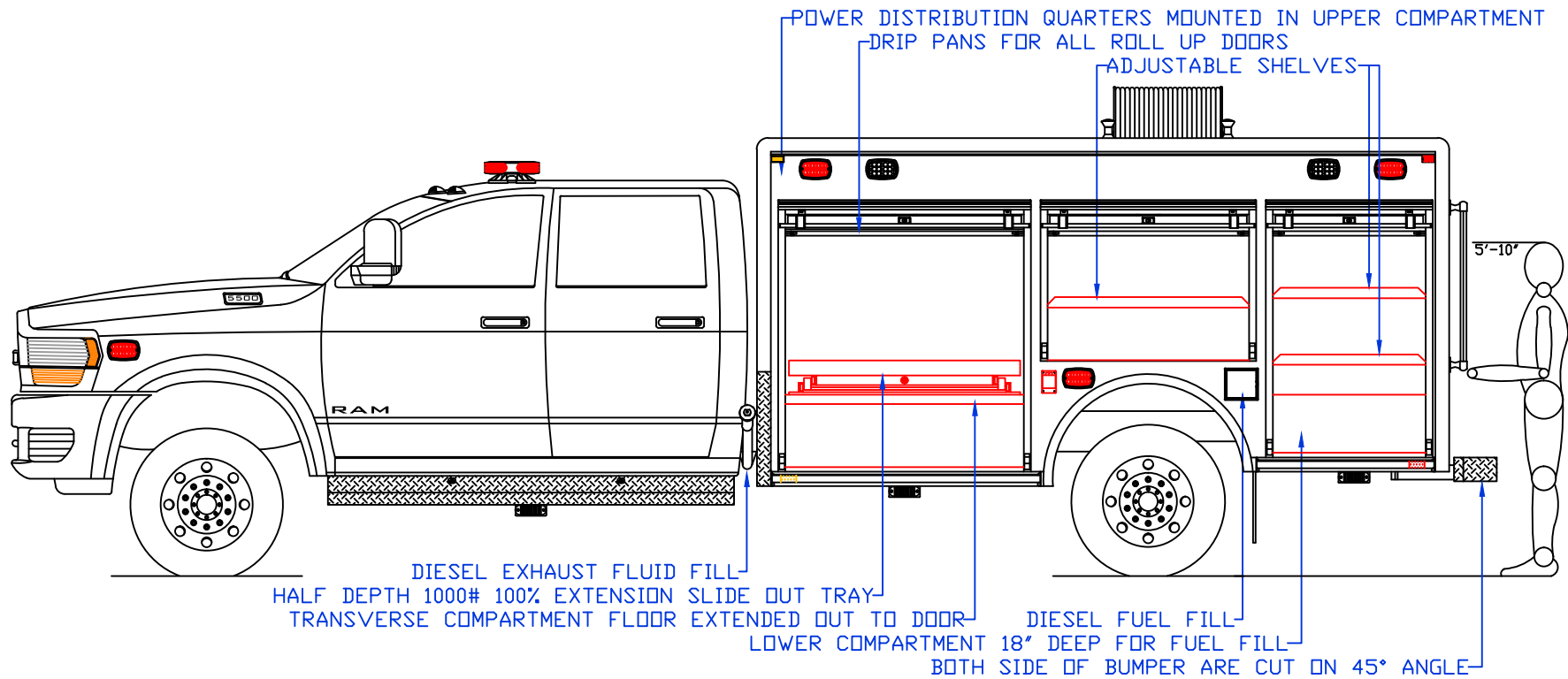
1250 SCHWEIZER ROAD PHONE (607) 796-0149
 HORSEHEADS, NY 14845 FAX (607) 739-7092

CUSTOMER APPROVED BY:

VEHICLE TYPE: BRUSH TRUCK	CHASSIS: RAM 5500 CREW CAB 4X4
VIEW: TOP	BODY MAT'L: ALUMINUM
SCALE: NTS	BODY LENGTH: 145 1/8"
DRAWN BY: NRW	APPROVED BY:
DATE: 8/19/2024	BODY STYLE:
DWG NO.: DOEBRUSHTRUCK	REVISION:

DOE LIGHT 12' FIRE BRUSH TRUCK

NOTE: ALL DIMENSIONS ARE APPROXIMATE



WARD APPARATUS

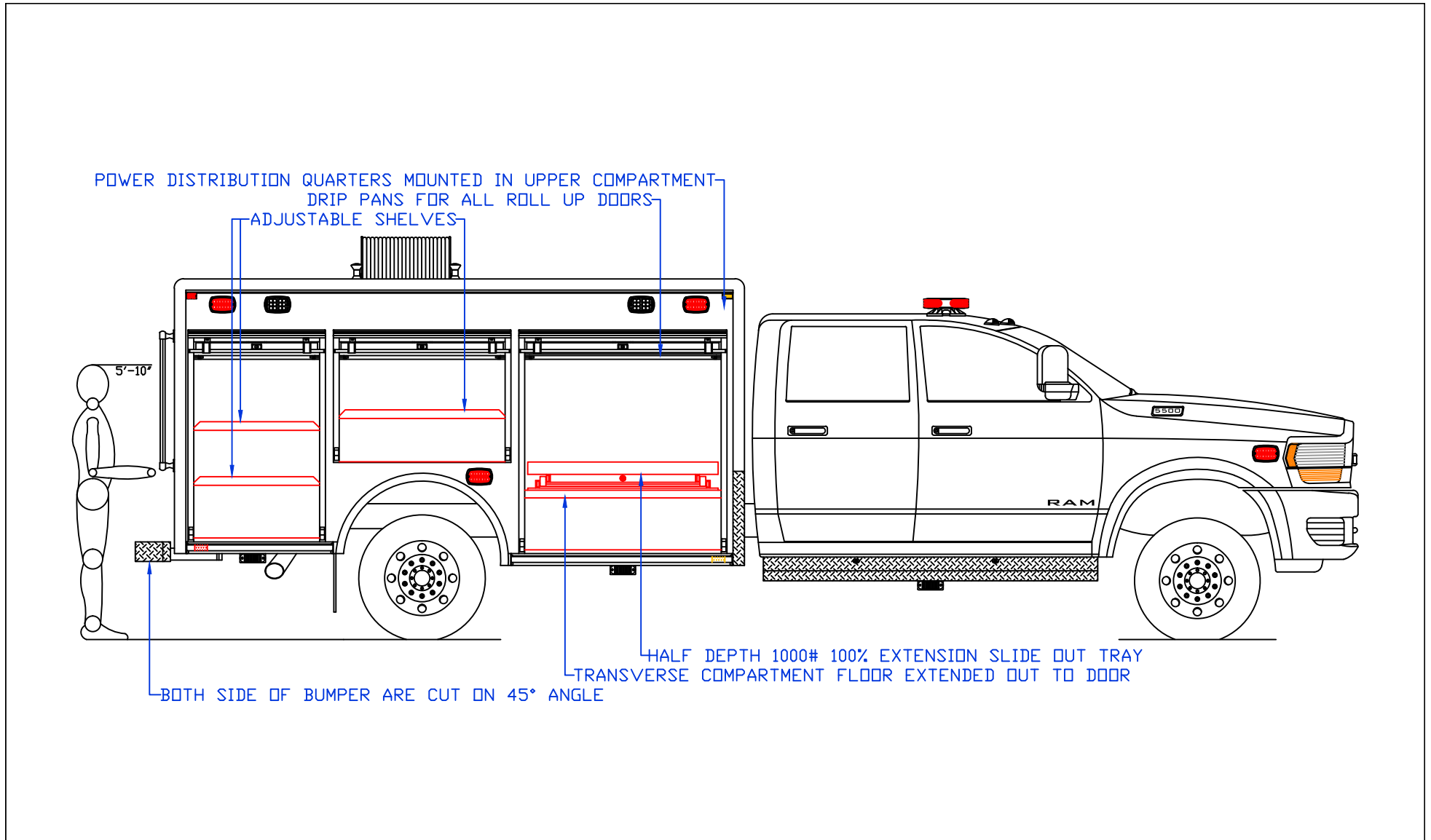
1250 SCHWEIZER ROAD PHONE (607) 796-0149
 HORSEHEADS, NY 14845 FAX (607) 739-7092

CUSTOMER APPROVED BY:

VEHICLE TYPE: BRUSH TRUCK	CHASSIS: RAM 5500 CREW CAB 4X4
VIEW: STREETSIDE COMPARTMENT LAYOUT	BODY MAT'L: ALUMINUM
SCALE: NTS	BODY LENGTH: 145 1/8"
DRAWN BY: NRW	APPROVED BY:
DATE: 8/19/2024	BODY STYLE:
DWG NO.: DOEBRUSHTRUCK	REVISION:

DOE LIGHT 12' FIRE BRUSH TRUCK

NOTE: ALL DIMENSIONS ARE APPROXIMATE



WARD APPARATUS
 1250 SCHWEIZER ROAD PHONE (607) 796-0149
 HORSEHEADS, NY 14845 FAX (607) 739-7092

CUSTOMER APPROVED BY:

VEHICLE TYPE: BRUSH TRUCK	CHASSIS: RAM 5500 CREW CAB 4X4
VIEW: CURBSIDE COMPARTMENT LAYOUT	BODY MAT'L: ALUMINUM
SCALE: NTS	BODY LENGTH: 145 1/8"
DRAWN BY: NRW	APPROVED BY:
DATE: 8/19/2024	BODY STYLE:
DWG NO.: DOEBRUSHTRUCK	REVISION:

DOE LIGHT 12' FIRE BRUSH TRUCK

NOTE: ALL DIMENSIONS ARE APPROXIMATE