

WARD APPARATUS

1250 SCHWEIZER ROAD PHONE (607) 796-0149
HORSEHEADS, NY 14845 FAX (607) 739-7092

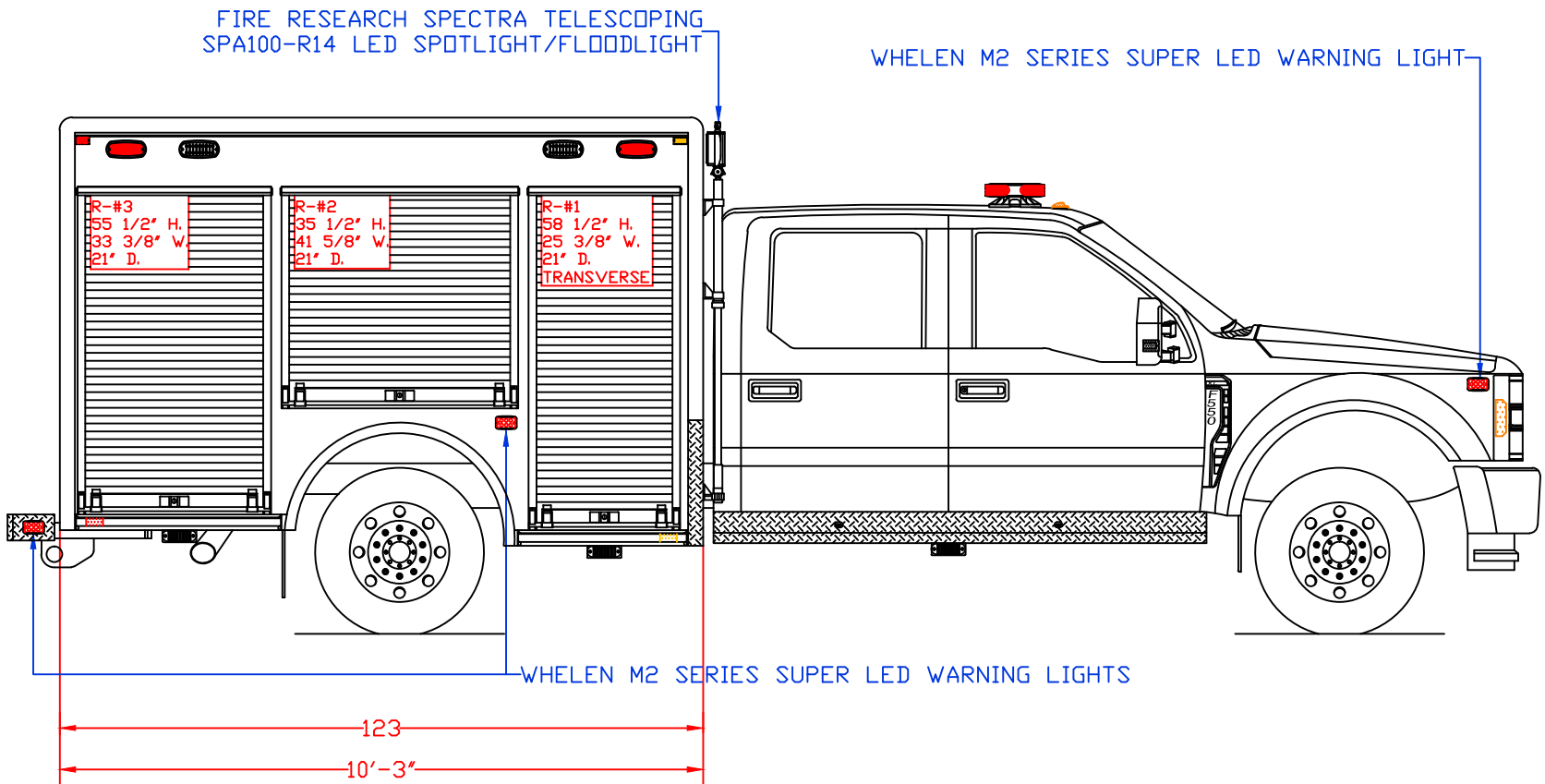
CUSTOMER APPROVED BY:

VEHICLE TYPE: QUICK ATTACK
VIEW: STREETSIDE
SCALE: NTS
DRAWN BY: NRW
DATE: 1/13/2025
DWG NO.: STOCK257138

CHASSIS: FORD F-550 CREW CAB 4X4
BODY MAT'L: ALUMINUM
BODY LENGTH: 123"
APPROVED BY:
BODY STYLE:
REVISION:

STOCK UNIT 257138 10' QUICK ATTACK

NOTE: ALL DIMENSIONS ARE APPROXIMATE



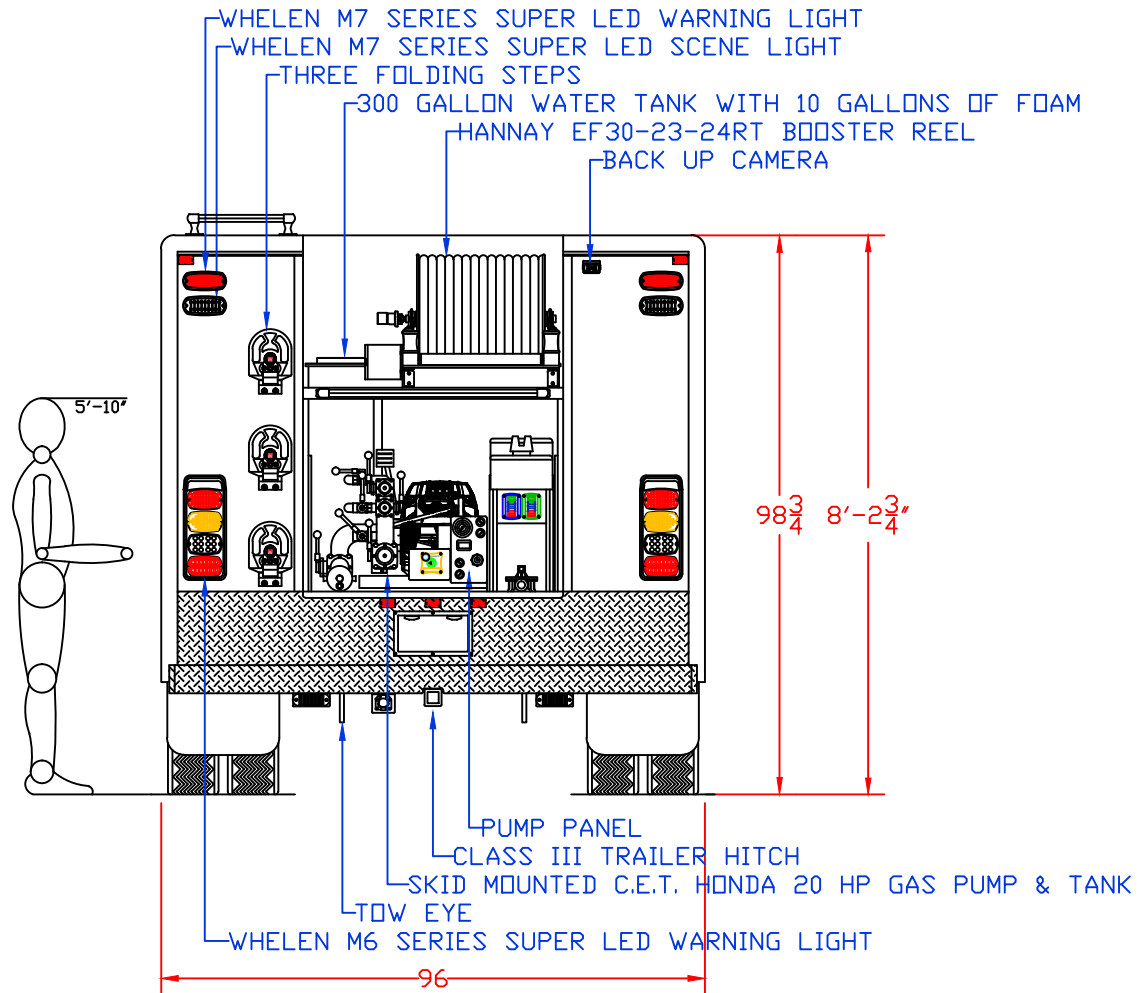
WARD APPARATUS
 1250 SCHWEIZER ROAD PHONE (607) 796-0149
 HORSEHEADS, NY 14845 FAX (607) 739-7092

CUSTOMER APPROVED BY:

VEHICLE TYPE: QUICK ATTACK	CHASSIS: FORD F-550 CREW CAB 4X4
VIEW: CURBSIDE	BODY MAT'L: ALUMINUM
SCALE: NTS	BODY LENGTH: 123"
DRAWN BY: NRW	APPROVED BY:
DATE: 1/13/2025	BODY STYLE:
DWG NO.: STOCK257138	REVISION:

STOCK UNIT 257138 10' QUICK ATTACK

NOTE: ALL DIMENSIONS ARE APPROXIMATE



WARD APPARATUS

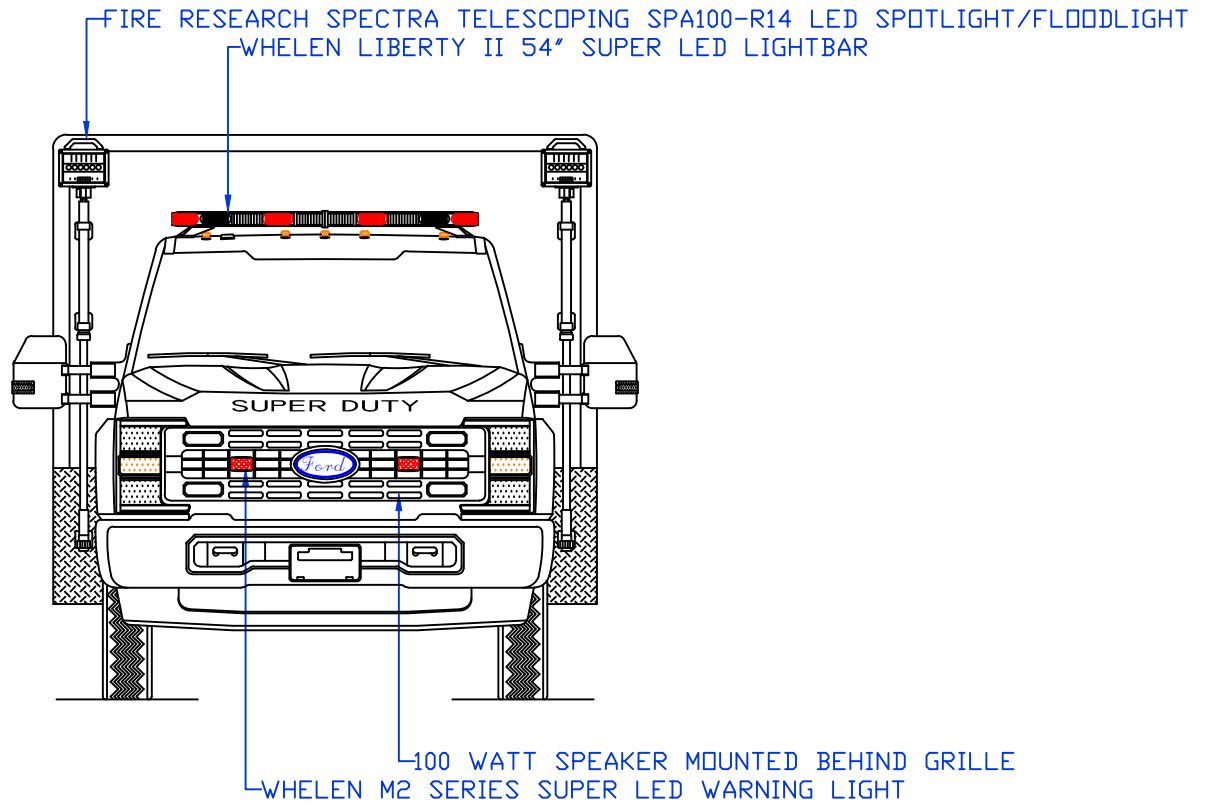
1250 SCHWEIZER ROAD PHONE (607) 796-0149
 HORSEHEADS, NY 14845 FAX (607) 739-7092

CUSTOMER APPROVED BY:

VEHICLE TYPE: QUICK ATTACK	CHASSIS: FORD F-550 CREW CAB 4X4
VIEW: REAR	BODY MAT'L: ALUMINUM
SCALE: NTS	BODY LENGTH: 123"
DRAWN BY: NRW	APPROVED BY:
DATE: 1/13/2025	BODY STYLE:
DWG NO.: STOCK257138	REVISION:

STOCK UNIT 257138 10' QUICK ATTACK

NOTE: ALL DIMENSIONS ARE APPROXIMATE



WARD APPARATUS

1250 SCHWEIZER ROAD PHONE (607) 796-0149
 HORSEHEADS, NY 14845 FAX (607) 739-7092

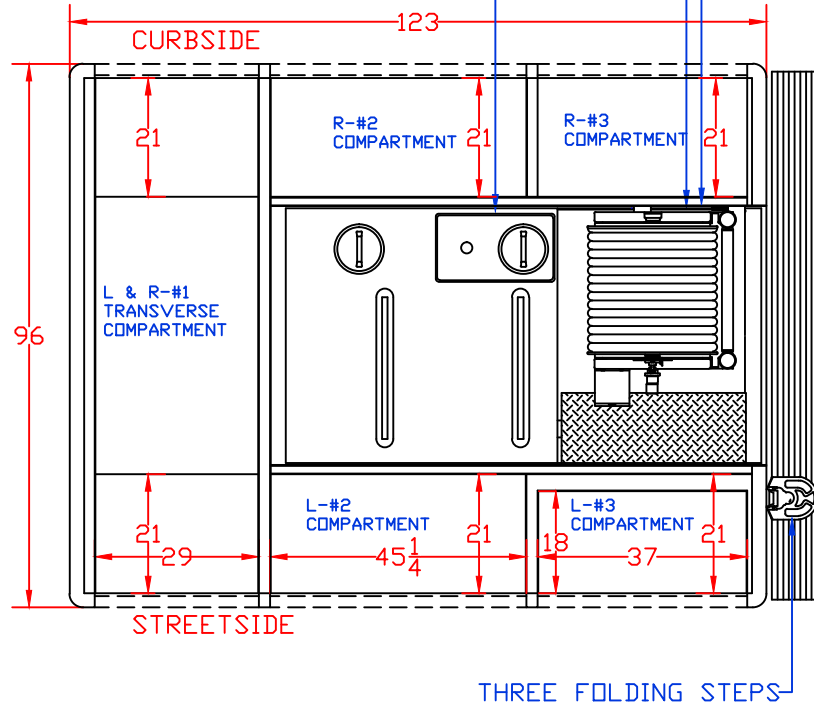
CUSTOMER APPROVED BY:

VEHICLE TYPE: QUICK ATTACK	CHASSIS: FORD F-550 CREW CAB 4X4
VIEW: FRONT	BODY MAT'L: ALUMINUM
SCALE: NTS	BODY LENGTH: 123"
DRAWN BY: NRW	APPROVED BY:
DATE: 1/13/2025	BODY STYLE:
DWG NO.: STOCK257138	REVISION:

STOCK UNIT 257138 10' QUICK ATTACK

NOTE: ALL DIMENSIONS ARE APPROXIMATE

SKID MOUNTED C.E.T. HONDA 20 HP GAS PUMP & TANK
 HANNAY EF30-23-24RT BOOSTER REEL
 300 GALLON WATER TANK WITH 10 GALLONS OF FOAM



WARD APPARATUS

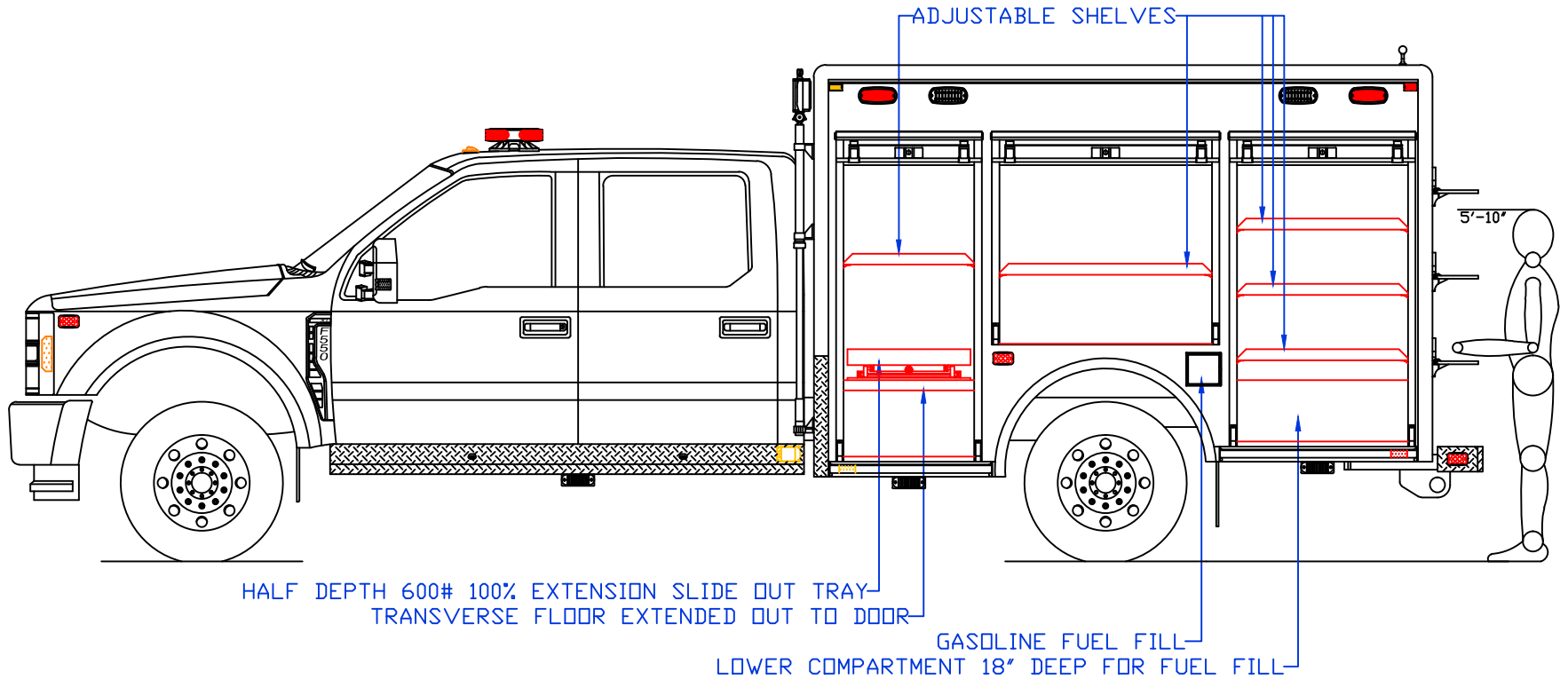
1250 SCHWEIZER ROAD PHONE (607) 796-0149
 HORSEHEADS, NY 14845 FAX (607) 739-7092

CUSTOMER APPROVED BY: _____

VEHICLE TYPE: QUICK ATTACK	CHASSIS: FORD F-550 CREW CAB 4X4
VIEW: TOP	BODY MAT'L: ALUMINUM
SCALE: NTS	BODY LENGTH: 123"
DRAWN BY: NRW	APPROVED BY:
DATE: 1/13/2025	BODY STYLE:
DWG NO.: STOCK257138	REVISION:

STOCK UNIT 257138 10' QUICK ATTACK

NOTE: ALL DIMENSIONS ARE APPROXIMATE



WARD APPARATUS

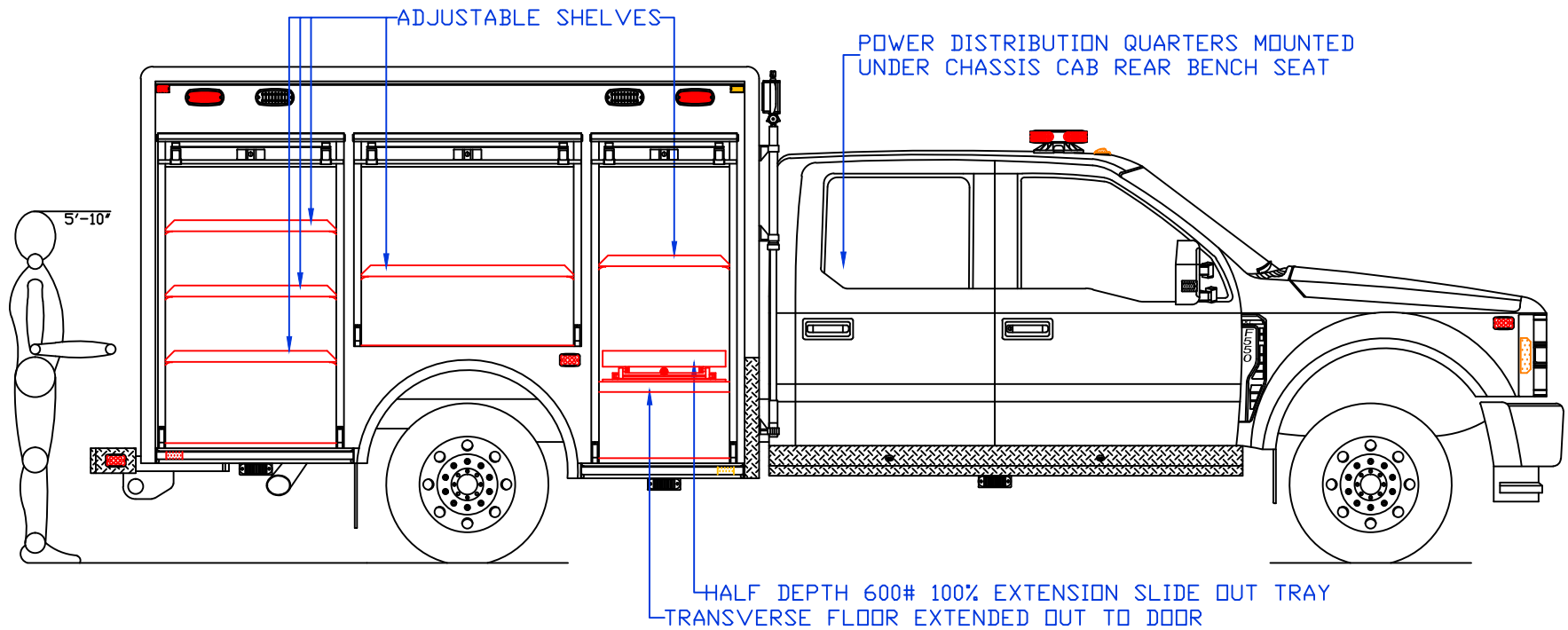
1250 SCHWEIZER ROAD PHONE (607) 796-0149
HORSEHEADS, NY 14845 FAX (607) 739-7092

STOCK UNIT 257138 10' QUICK ATTACK

CUSTOMER APPROVED BY:

VEHICLE TYPE: QUICK ATTACK	CHASSIS: FORD F-550 CREW CAB 4X4
VIEW: STREETSIDE COMPARTMENT LAYOUT	BODY MAT'L: ALUMINUM
SCALE: NTS	BODY LENGTH: 123"
DRAWN BY: NRW	APPROVED BY:
DATE: 1/13/2025	BODY STYLE:
DWG NO.: STOCK257138	REVISION:

NOTE: ALL DIMENSIONS ARE APPROXIMATE



WARD APPARATUS

1250 SCHWEIZER ROAD PHONE (607) 796-0149
 HORSEHEADS, NY 14845 FAX (607) 739-7092

STOCK UNIT 257138 10' QUICK ATTACK

CUSTOMER APPROVED BY:

VEHICLE TYPE: QUICK ATTACK	CHASSIS: FORD F-550 CREW CAB 4X4
VIEW: CURBSIDE COMPARTMENT LAYOUT	BODY MAT'L: ALUMINUM
SCALE: NTS	BODY LENGTH: 123"
DRAWN BY: NRW	APPROVED BY:
DATE: 1/13/2025	BODY STYLE:
DWG NO.: STOCK257138	REVISION:

NOTE: ALL DIMENSIONS ARE APPROXIMATE